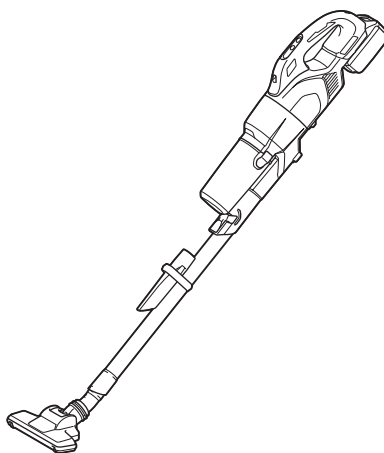




EN	Cordless Cleaner	INSTRUCTION MANUAL	10
PL	Odkurzacz Akumulatorowy	INSTRUKCJA OBSŁUGI	19
HU	Vezeték nélküli porszívó	HASZNÁLATI KÉZIKÖNYV	29
SK	Akumulátorový vysávač	NÁVOD NA OBSLUHU	39
CS	Akumulátorový vysavač	NÁVOD K OBSLUZE	49
UK	Бездротовий пилосос	ІНСТРУКЦІЯ З ЕКСПЛУАТАЦІЇ	58
RO	Aspirator cu acumulator	MANUAL DE INSTRUCȚIUNI	69
DE	Akku-Staubsauger	BETRIEBSANLEITUNG	79

DCL286F



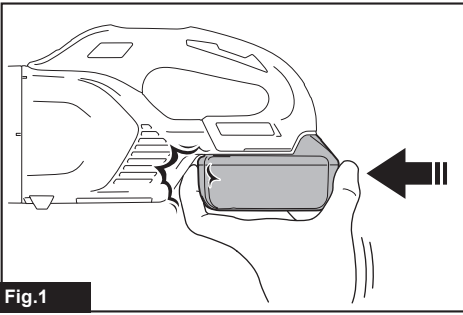


Fig.1

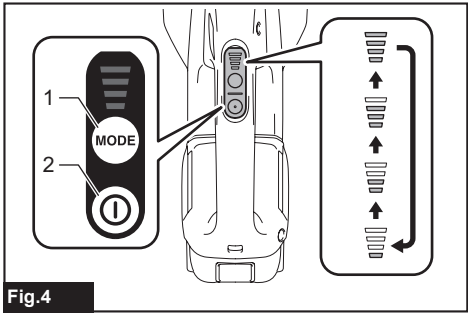


Fig.4

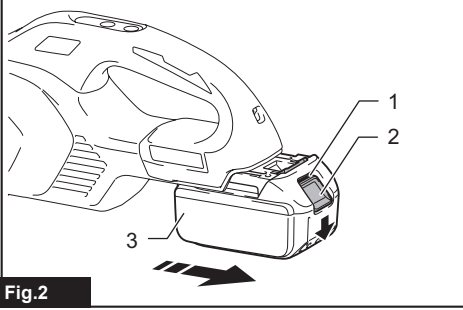


Fig.2

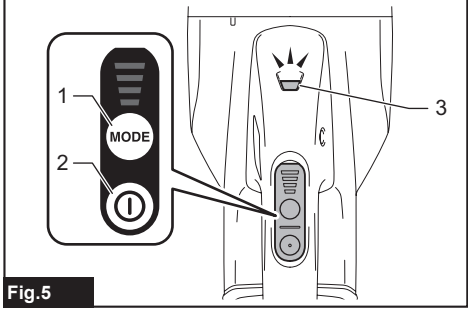


Fig.5

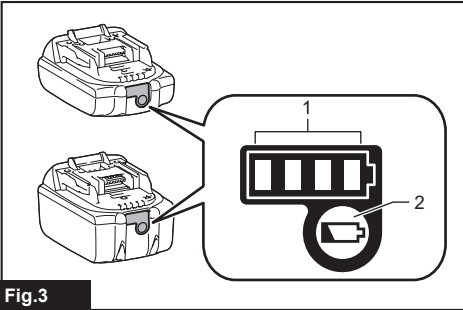


Fig.3

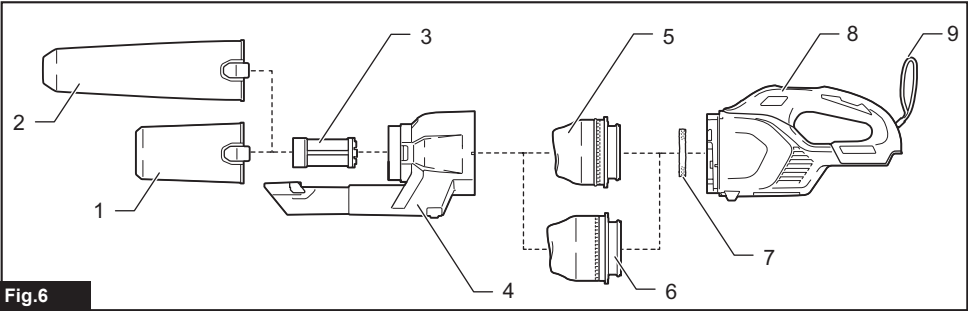
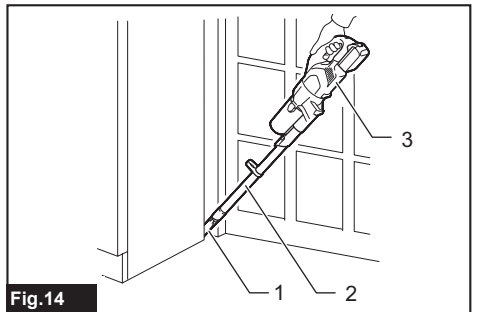
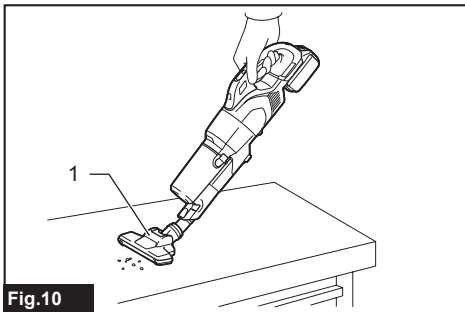
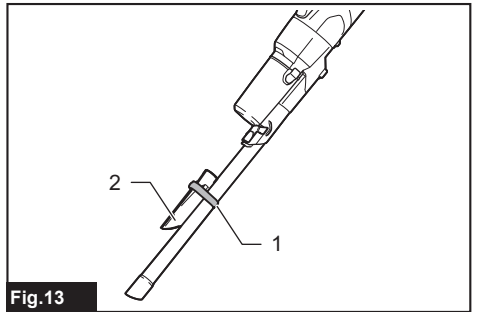
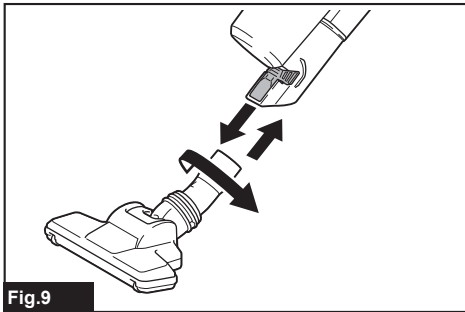
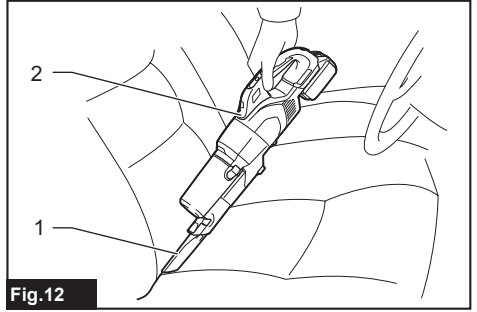
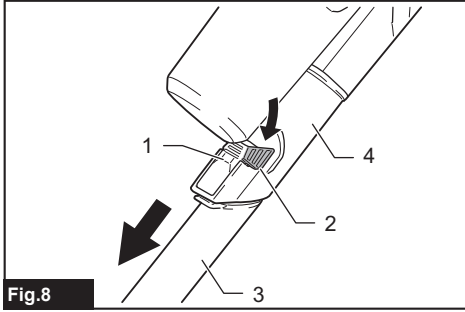
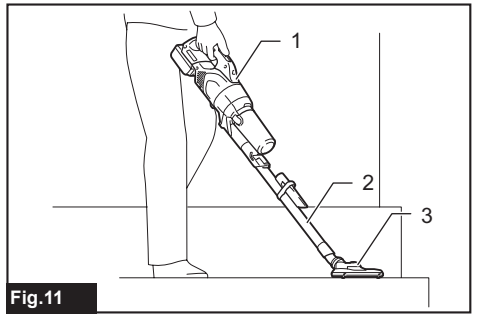
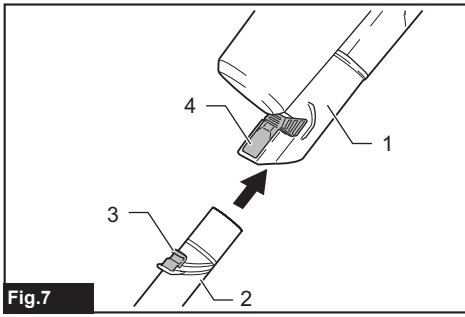
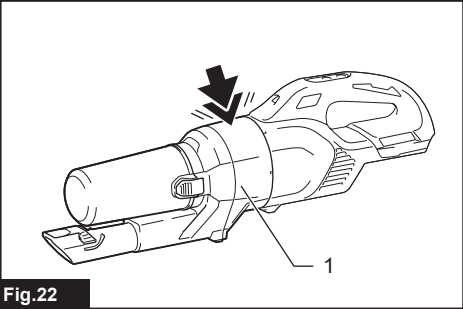
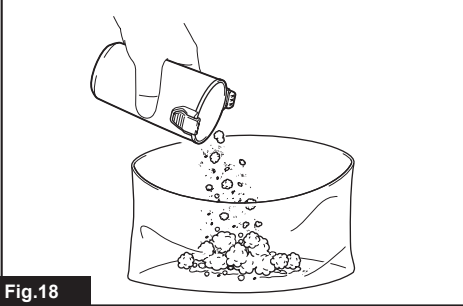
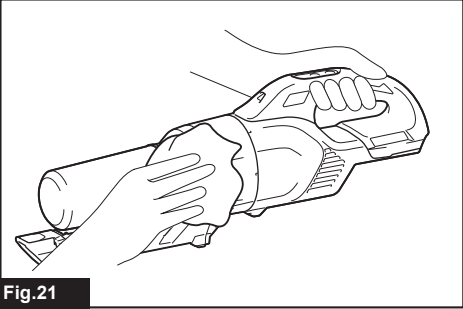
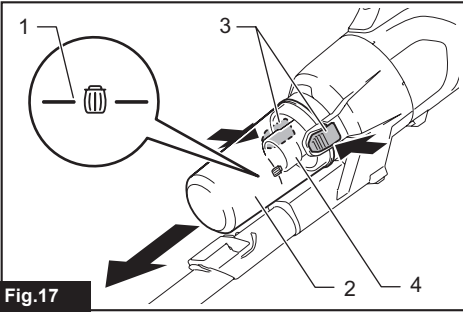
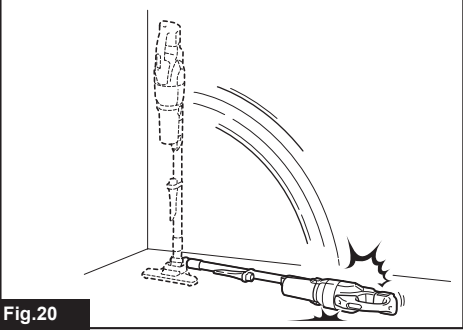
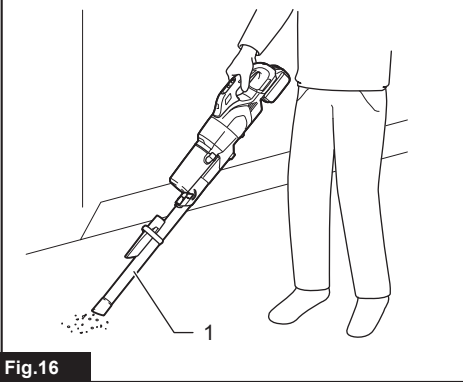
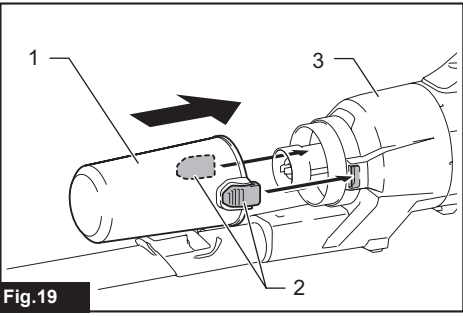
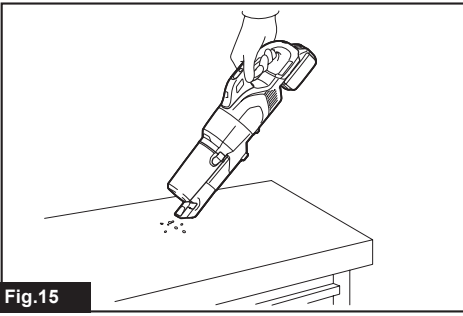


Fig.6





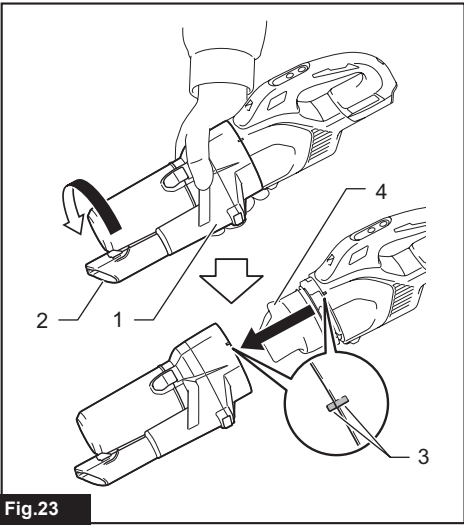


Fig.23

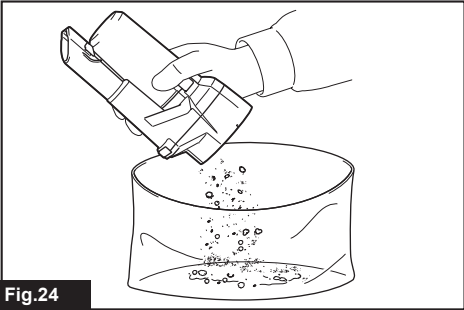


Fig.24

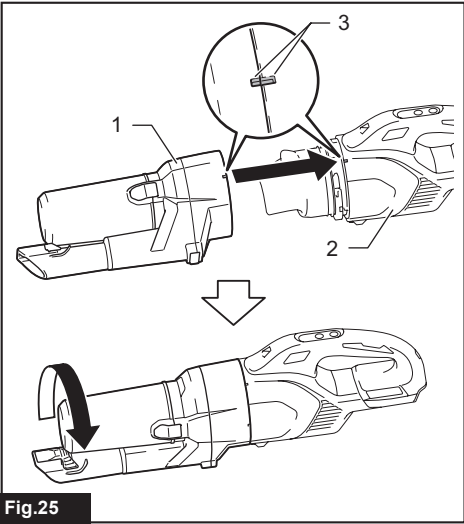


Fig.25

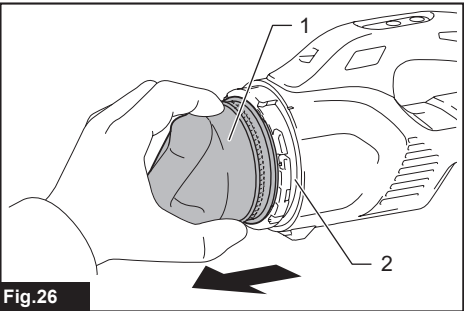


Fig.26



Fig.27

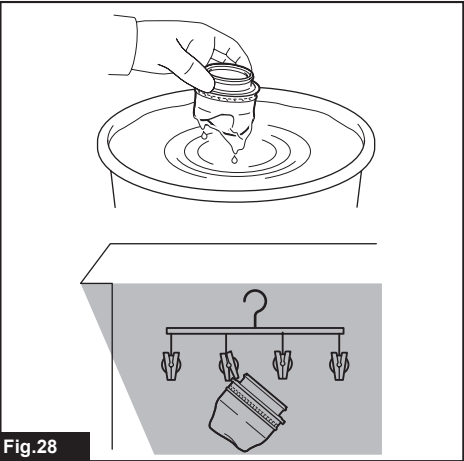


Fig.28

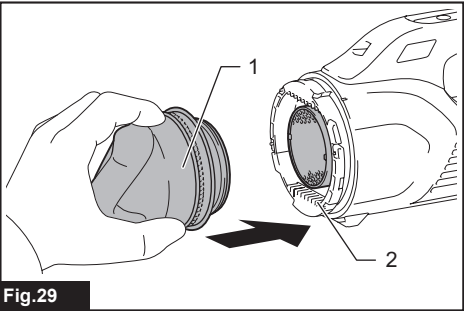


Fig.29

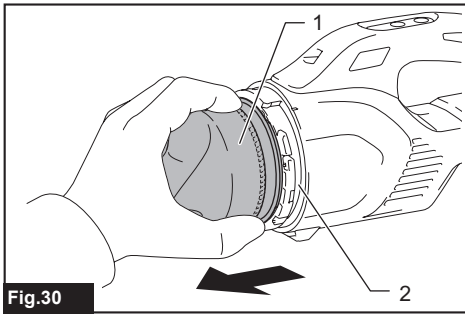


Fig.30

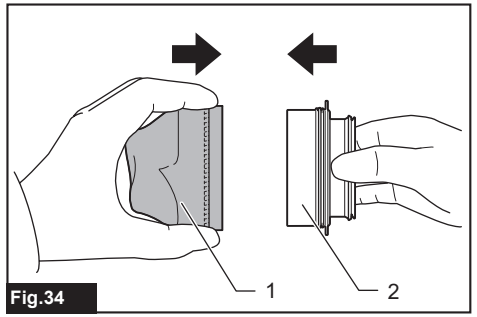


Fig.34

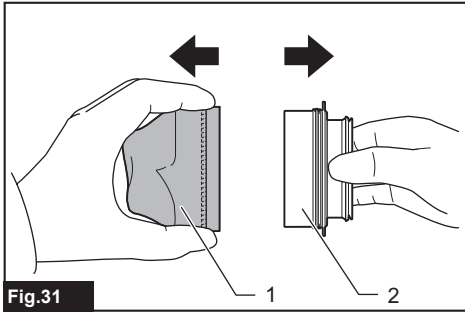


Fig.31

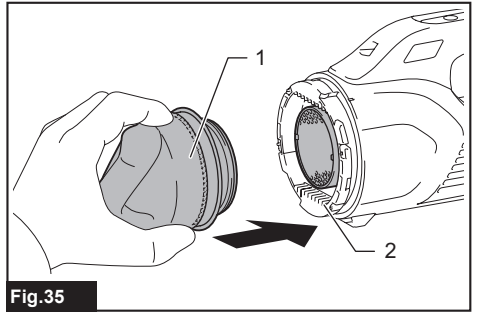


Fig.35

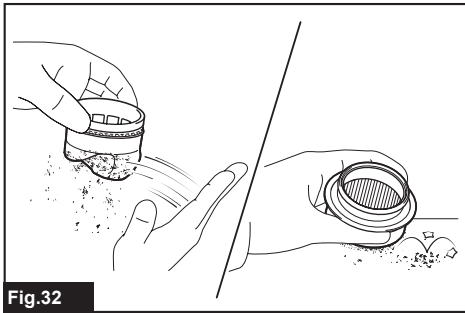


Fig.32

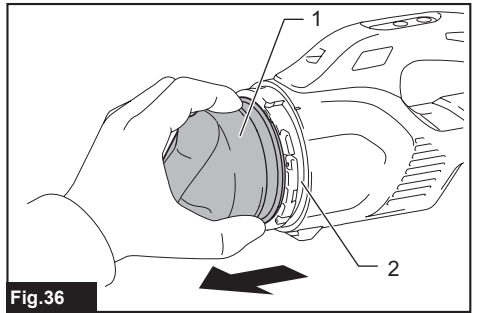


Fig.36

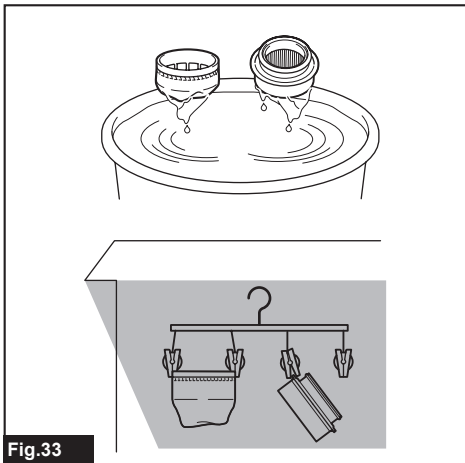


Fig.33

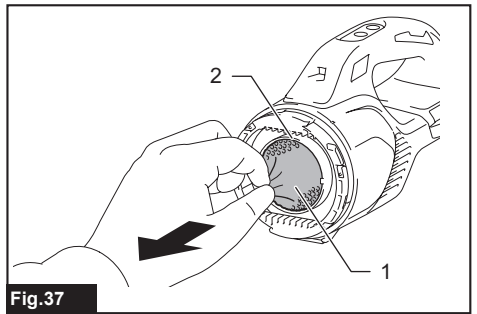
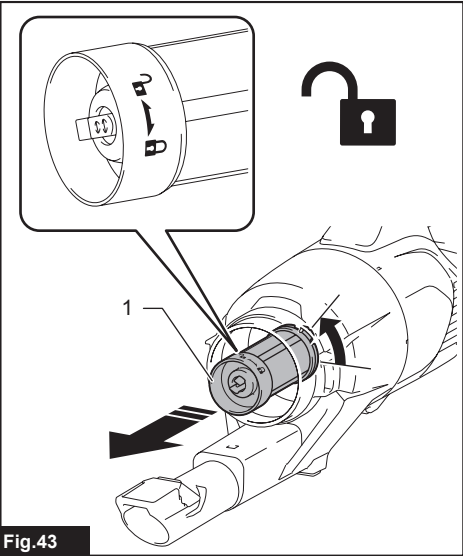
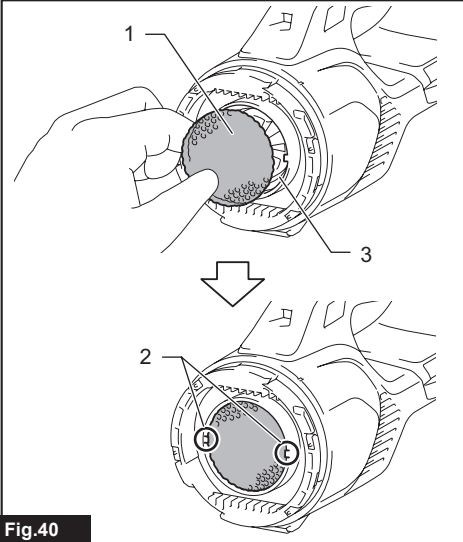
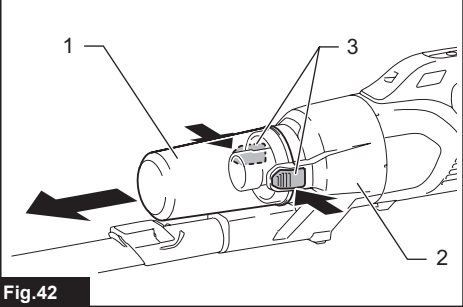
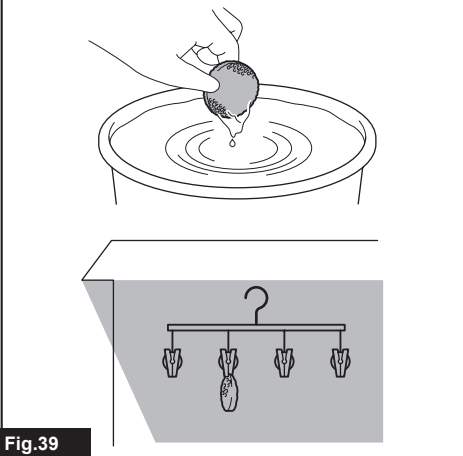
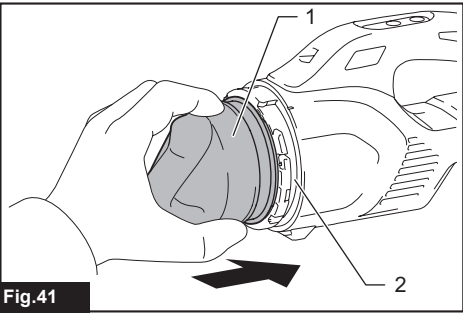
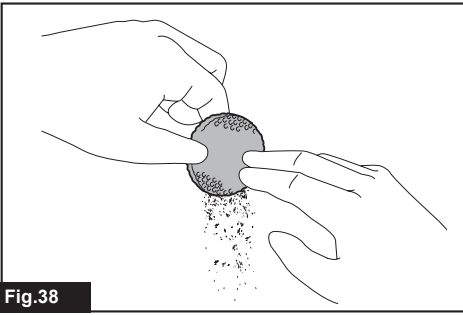
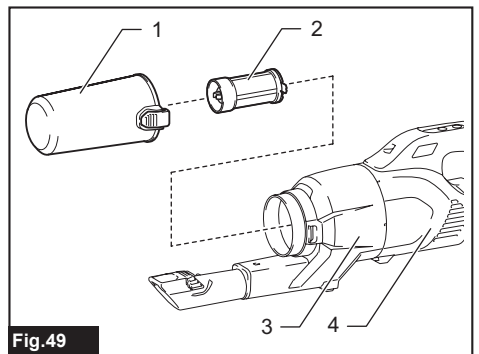
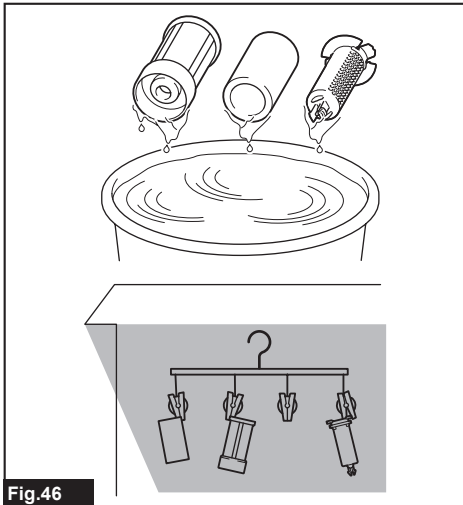
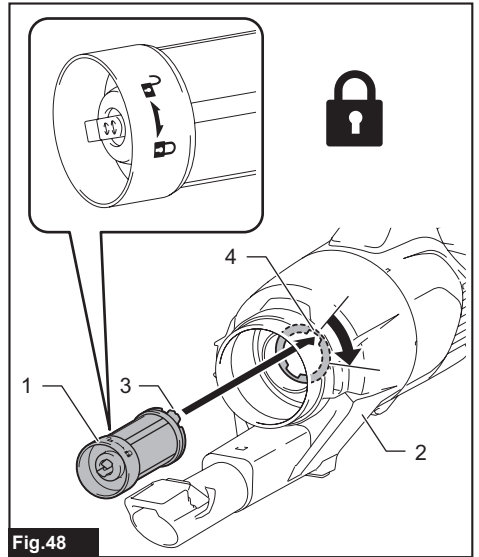
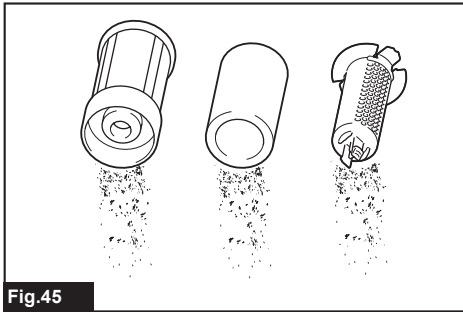
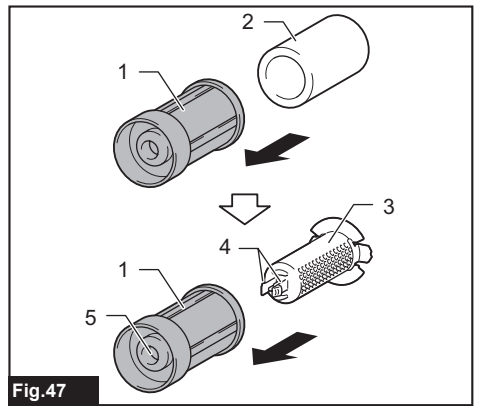
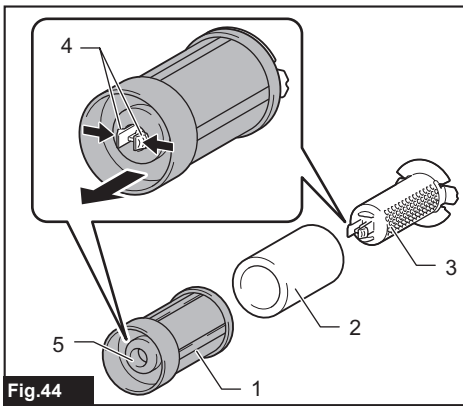
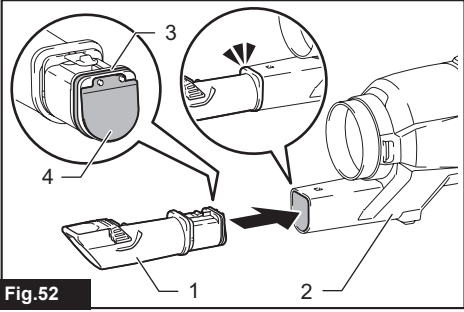
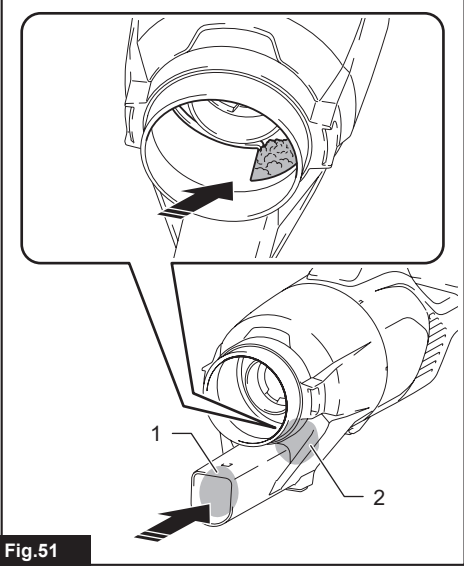
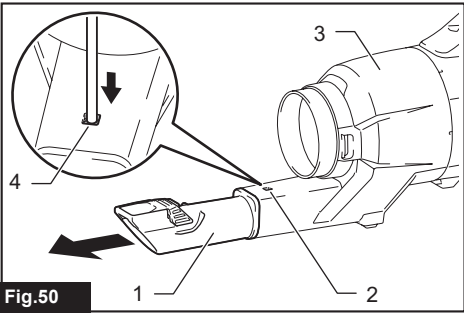


Fig.37







WARNING

- This appliance can be used by children aged from 8 years and above and persons with reduced physical, sensory or mental capabilities or lack of experience and knowledge if they have been given supervision or instruction concerning use of the appliance in a safe way and understand the hazards involved.
- Children shall not play with the appliance. Cleaning and user maintenance shall not be made by children without supervision.
- See the chapter "SPECIFICATIONS" for the type reference of the battery.
- See the section "Installing or removing battery cartridge" for how to remove or install the battery.
- When disposing the battery cartridge, remove it from the tool and dispose of it in a safe place. Follow your local regulations relating to disposal of battery.
- If the tool is not used for a long period of time, the battery must be removed from the tool.
- Do not short the battery cartridge.
- See the chapter "MAINTENANCE" for the appropriate details of precautions during user maintenance.

SPECIFICATIONS

Model:		DCL286F
Capacity		250 mL / 400 mL (country specific)
Continuous use (with battery BL1830B)	1 (Quiet mode)	Approx. 38 min
	2 (Normal speed mode)	Approx. 21 min
	3 (High speed mode)	Approx. 15 min
	4 (Max speed mode)	Approx. 8 min
Overall length (with pipe, nozzle, and battery BL1830B)		1,106 mm
Rated voltage		D.C. 18 V
Net weight		1.6 - 2.0 kg

- Due to our continuing program of research and development, the specifications herein are subject to change without notice.
- Specifications may differ from country to country.
- The weight does not include accessories but battery cartridge(s). The lightest and heaviest combination weight of the appliance and battery cartridge(s) are shown in the table.

Applicable battery cartridge and charger

Battery cartridge	BL1815N / BL1820B / BL1830B / BL1840B / BL1850B / BL1860B
Charger	DC18RC / DC18RD / DC18RE / DC18SD / DC18SE / DC18SF / DC18SH / DC18WC

- Some of the battery cartridges and chargers listed above may not be available depending on your region of residence.

⚠ WARNING: Only use the battery cartridges and chargers listed above. Use of any other battery cartridges and chargers may cause injury and/or fire.

Symbols

The followings show the symbols which may be used for the equipment. Be sure that you understand their meaning before use.



A representative battery applicable to this product.



Read the instruction manual.



Only for EU countries
Due to the presence of hazardous components in the equipment, waste electrical and electronic equipment, accumulators and batteries may have a negative impact on the environment and human health. Do not dispose of electrical and electronic appliances or batteries with household waste!

In accordance with the European Directive on waste electrical and electronic equipment and on accumulators and batteries and waste accumulators and batteries, as well as their adaptation to national law, waste electrical equipment, batteries and accumulators should be stored separately and delivered to a separate collection point for municipal waste, operating in accordance with the regulations on environmental protection.

This is indicated by the symbol of the crossed-out wheeled bin placed on the equipment.

Intended use

The tool is intended for collecting dry dust.

SAFETY WARNINGS

Cordless cleaner safety warnings

⚠ WARNING: IMPORTANT! READ CAREFULLY all safety warnings and all instructions BEFORE USE. Failure to follow the warnings and instructions may result in electric shock, fire and/or serious injury.

1. Do not expose to rain. Store indoors.
2. Do not allow to be used as a toy. Close attention is necessary when used by or near children.
3. Use only as described in this manual. Use only manufacturer's recommended attachments.
4. Do not use with damaged battery. If appliance is not working as it should, has been dropped, damaged, left outdoors, or dropped into water, return it to a service center.
5. Do not handle appliance with wet hands.
6. Do not put any object into openings. Do not use with any opening blocked; keep free of dust, lint, hair, and anything that may reduce air flow.
7. Keep hair, loose clothing, fingers, and all parts of body away from openings and moving parts.
8. Turn off all controls before removing the battery.
9. Use extra care when cleaning on stairs.
10. Do not use to pick up flammable or combustible liquids, such as gasoline, or use in areas where they may be present.
11. Use only the charger supplied by the manufacturer to recharge.
12. Do not pick up anything that is burning or smoking, such as cigarettes, matches, or hot ashes.

13. Do not use without dust bag and/or filters in place.
14. Do not charge the battery outdoors.
15. Recharge only with the charger specified by the manufacturer. A charger that is suitable for one type of battery pack may create a risk of fire when used with another battery pack.
16. Use appliances only with specifically designated battery packs. Use of any other battery packs may create a risk of injury and fire.
17. When (the) battery pack is not in use, keep it away from other metal objects, like paper clips, coins, keys, nails, screws or other small metal objects, that can make a connection from one terminal to another.
18. Under abusive conditions, liquid may be ejected from the battery; avoid contact. If contact accidentally occurs, flush with water.
19. Do not use a battery pack or appliance that is damaged or modified. Damaged or modified batteries may exhibit unpredictable behaviour resulting in fire, explosion or risk of injury.
20. Do not expose a battery pack or appliance to fire or excessive temperature. Exposure to fire or temperature above 130 °C may cause explosion.
21. Follow all charging instructions and do not charge the battery pack or appliance outside the temperature range specified in the instructions. Charging improperly or at temperatures outside the specified range may damage the battery and increase the risk of fire.

SAVE THESE INSTRUCTIONS.

ADDITIONAL SAFETY RULES

This appliance is intended for household use.

1. Read this instruction manual and the charger instruction manual carefully before use.
2. Do not pick up the following materials:
 - Hot substances that are burning or smoking (cigarettes, matches, incense sticks, candles, hot ashes), sparks and metal dust generated by cutting or grinding metal, etc.
 - Flammable liquid (kerosene, gasoline, solvents such as benzene, thinner, etc.)
 - Flammable material (toner, paint, spray, etc.)
 - Explosive or pyrophoric substances (nitroglycerin, aluminum, magnesium, titanium, zinc, red phosphorus, yellow phosphorus, celluloid, etc. and their dust, gas or steam)
 - Liquid, oil, wet dirt or damp garbage, including vomit and excreta
 - Hard pieces with sharp edges (wood chips, metals, stones, glasses, nails, pins, razors or cutlery)
 - Solidifying and conductive fine powder (metal or carbon powder)
 - Foam like carpet cleaning agent, etc. (they may cause explosion or fire)

- Large amount of powder (flour, fire extinguisher powder, etc.)
- Substances that cause toxic symptoms
- Aggressive chemicals (acid, alkali, etc.)
- Fine binding powder such as cement
- Fine particle like concrete dust
- Desiccants
- Asbestos
- Pesticides

Such action may cause fire, injury and/or property damage.

To reduce your exposure to these chemicals, always wear approved respiratory protection such as dust masks that are specially designed to filter out microscopic particles. Direct the exhaust air away from your face and body.

3. **Stop operation immediately if you notice anything abnormal.**
4. **If you drop or strike the cleaner, check it carefully for cracks or damage before operation.**
5. **Do not bring close to stoves or other heat sources.**
6. **Do not block the intake hole or vent holes.**

SAVE THESE INSTRUCTIONS.

Important safety instructions for battery cartridge

1. **Before using battery cartridge, read all instructions and cautionary markings on (1) battery charger, (2) battery, and (3) product using battery.**
2. **Do not disassemble or tamper with the battery cartridge.** It may result in a fire, excessive heat, or explosion.
3. **If operating time has become excessively shorter, stop operating immediately.** It may result in a risk of overheating, possible burns and even an explosion.
4. **If electrolyte gets into your eyes, rinse them out with clear water and seek medical attention right away.** It may result in loss of your eyesight.
5. **Do not short the battery cartridge:**
 - (1) **Do not touch the terminals with any conductive material.**
 - (2) **Avoid storing battery cartridge in a container with other metal objects such as nails, coins, etc.**
 - (3) **Do not expose battery cartridge to water or rain.**

A battery short can cause a large current flow, overheating, possible burns and even a breakdown.

6. **Do not store and use the tool and battery cartridge in locations where the temperature may reach or exceed 50 °C (122 °F).**
7. **Do not incinerate the battery cartridge even if it is severely damaged or is completely worn out.** The battery cartridge can explode in a fire.
8. **Do not nail, cut, crush, throw, drop the battery cartridge, or hit against a hard object to the battery cartridge.** Such conduct may result in a

fire, excessive heat, or explosion.

9. **Do not use a damaged battery.**
10. **The contained lithium-ion batteries are subject to the Dangerous Goods Legislation requirements.**

For commercial transports e.g. by third parties, forwarding agents, special requirement on packaging and labeling must be observed.

For preparation of the item being shipped, consulting an expert for hazardous material is required. Please also observe possibly more detailed national regulations.

Tape or mask off open contacts and pack up the battery in such a manner that it cannot move around in the packaging.

11. **When disposing the battery cartridge, remove it from the tool and dispose of it in a safe place. Follow your local regulations relating to disposal of battery.**
12. **Use the batteries only with the products specified by Makita.** Installing the batteries to non-compliant products may result in a fire, excessive heat, explosion, or leak of electrolyte.
13. **If the tool is not used for a long period of time, the battery must be removed from the tool.**
14. **During and after use, the battery cartridge may take on heat which can cause burns or low temperature burns. Pay attention to the handling of hot battery cartridges.**
15. **Do not touch the terminal of the tool immediately after use as it may get hot enough to cause burns.**
16. **Do not allow chips, dust, or soil stuck into the terminals, holes, and grooves of the battery cartridge.** It may cause heating, catching fire, burst and malfunction of the tool or battery cartridge, resulting in burns or personal injury.
17. **Unless the tool supports the use near high-voltage electrical power lines, do not use the battery cartridge near high-voltage electrical power lines.** It may result in a malfunction or breakdown of the tool or battery cartridge.
18. **Keep the battery away from children.**

SAVE THESE INSTRUCTIONS.

⚠ CAUTION: Only use genuine Makita batteries. Use of non-genuine Makita batteries, or batteries that have been altered, may result in the battery bursting causing fires, personal injury and damage. It will also void the Makita warranty for the Makita tool and charger.

Tips for maintaining maximum battery life

1. **Charge the battery cartridge before completely discharged. Always stop tool operation and charge the battery cartridge when you notice less tool power.**
2. **Never recharge a fully charged battery cartridge. Overcharging shortens the battery service life.**
3. **Charge the battery cartridge with room temperature at 10 °C - 40 °C (50 °F - 104 °F). Let a hot battery cartridge cool down before**

charging it.

4. **When not using the battery cartridge, remove it from the tool or the charger.**
5. **Charge the battery cartridge if you do not use it for a long period (more than six months).**

FUNCTIONAL DESCRIPTION

CAUTION: Always be sure that the tool is switched off and the battery cartridge is removed before adjusting or checking function on the tool.

CAUTION: Take care not to trap finger(s) between cleaner and battery as shown in diagram when loading battery. Trapping finger(s) may cause injury.

► Fig.1

Installing or removing battery cartridge

CAUTION: Always switch off the tool before installing or removing of the battery cartridge.

CAUTION: Hold the tool and the battery cartridge firmly when installing or removing battery cartridge. Failure to hold the tool and the battery cartridge firmly may cause them to slip off your hands and result in damage to the tool and battery cartridge and a personal injury.

To remove the battery cartridge, slide it from the tool while sliding the button on the front of the cartridge.

► Fig.2: 1. Red indicator 2. Button 3. Battery cartridge

To install the battery cartridge, align the tongue on the battery cartridge with the groove in the housing and slip it into place. Insert it all the way until it locks in place with a little click. If you can see the red indicator as shown in the figure, it is not locked completely.

CAUTION: Always install the battery cartridge fully until the red indicator cannot be seen. If not, it may accidentally fall out of the tool, causing injury to you or someone around you.

CAUTION: Do not install the battery cartridge forcibly. If the cartridge does not slide in easily, it is not being inserted correctly.

Tool / battery protection system

The tool is equipped with tool/battery protection system. This system automatically cuts off power to the motor to extend tool and battery life. The tool will automatically stop during operation if the tool or battery is placed under one of the following conditions.

Overloaded:

The tool/battery is operated in a manner that causes it to draw an abnormally high current. In this situation, turn the tool off and stop the application that caused the tool to become overloaded. Then turn

the tool on to restart.

Overheated:

The tool/battery is overheated. In this situation, let the tool/battery cool before turning the tool on again.

Low battery voltage:

The remaining battery capacity is too low and the tool will not operate. In this situation, remove and recharge the battery.

Protections against other causes:

Protection system is also designed for other causes that could damage the tool and allows the tool to stop automatically. Take all the following steps to clear the causes, when the tool has been brought to a temporary halt or stop in operation.

1. Turn the tool off, and then turn it on again to restart.
2. Charge the battery(ies) or replace it/them with recharged battery(ies).
3. Let the tool and battery(ies) cool down.

If no improvement can be found by restoring protection system, then contact your local Makita Service Center.

Indicating the remaining battery capacity

Only for battery cartridges with the indicator

Press the check button on the battery cartridge to indicate the remaining battery capacity. The indicator lamps light up for a few seconds.

► Fig.3: 1. Indicator lamps 2. Check button

Indicator lamps			Remaining capacity
Lighted	Off	Blinking	
■ ■ ■ ■			75% to 100%
■ ■ ■ □			50% to 75%
■ ■ □ □			25% to 50%
■ □ □ □			0% to 25%
▣ □ □ □			Charge the battery.
■ ■ □ □			The battery may have malfunctioned.
□ □ ■ ■			

NOTE: Depending on the conditions of use and the ambient temperature, the indication may differ slightly from the actual capacity.

NOTE: The first (far left) indicator lamp will blink when the battery protection system works.

Switch action

► Fig.4: 1. Suction power change button 2. ON/OFF button

To start the cleaner, simply push the ON/OFF button. To

switch off, push the ON/OFF button again.
 You can change the suction power of the cleaner in four steps by pushing the suction power change button. Each push on this button repeats the Quiet/Normal/High/Max mode in a cycle.

Level	Indication	Mode
1		Quiet mode
2		Normal speed mode
3		High speed mode
4		Max speed mode

NOTE: You can change the suction power before turning on the cleaner.

NOTE: The cleaner starts the operation with the same suction power as the last operation.

Lighting up the lamp

CAUTION: Do not look in the light or see the source of light directly.

To turn on the lamp, push the suction power change button. The lamp goes off in approximately 10 seconds. While the cleaner is running, the lamp turns on. The lamp goes out approximately 10 seconds after stopping operation.

NOTE: When the remaining battery capacity gets low, the lamp starts blinking. The timing, at which the lamp starts blinking depends on the temperature at work place and the battery cartridge conditions.

► **Fig.5:** 1. Suction power change button 2. ON/OFF button 3. Lamp

PARTS DESCRIPTION

► **Fig.6**

1	250 mL dust case (Optional accessory)	2	400 mL dust case (Optional accessory)	3	Mesh filter	4	Cyclone body
5	High performance filter (Filter frame in gray color) (Optional accessory)	6	HEPA filter (Filter frame in white color) (Optional accessory)	7	Sponge sheet	8	Cleaner body
9	Hand strap (Country specific)	-	-	-	-	-	-

ASSEMBLY

CAUTION: Always be sure that the tool is switched off and the battery cartridge is removed before carrying out any work on the tool.

CAUTION: Be sure to attach filters to the cleaner properly. Filters with holes or those not properly attached may allow dust to enter the motor housing. This may cause motor failure or fires.

NOTICE: Make sure all the attachments and components are secured in place properly before use.

Installing and removing cleaner attachments

CAUTION: After installing attachments, check if they are securely installed. If the attachments are installed imperfectly, they may come off and cause personal injury.

CAUTION: Be careful not to hit your hand on the wall etc. when removing the attachments.

When using attachment with lock function

To install attachment, insert it to the suction inlet of the cleaner until it clicks. Make sure that the attachment is locked.

► **Fig.7:** 1. Suction inlet 2. Attachment with lock function 3. Hook 4. Release button

NOTICE: When installing the attachment with lock function, be sure to align the release button on the cleaner with the hook on the attachment. If they are not aligned, the attachment will not be locked and may come off from the cleaner.

To remove attachment, pull it off the cleaner while pressing and holding the arms of the release button.

► **Fig.8:** 1. Release button 2. Arm of release button 3. Attachment with lock function 4. Suction inlet

When using attachment without lock function

NOTICE: To install attachment without lock function, insert it into the suction inlet of the cleaner by twisting it as shown in the figure. To detach attachment, release it from the cleaner by twisting it as shown in the figure. Avoid twisting the attachment in the direction opposite to the arrow in the figure as it may loosen the cyclone unit.

► Fig.9

OPERATION

CAUTION: Do not move your face close to the air vent when operating the cleaner. If foreign objects are blown into eyes, it may result in personal injury.

NOTICE: Avoid using the cleaner in a horizontal or upward facing position. It may otherwise cause the mesh filter to become clogged.

NOTICE: Always use the cleaner with filters installed. Using the cleaner without filters may result in a motor malfunction.

NOTICE: Empty the dust case in the cyclone unit when dust has accumulated. Continuing use will result in weakened suction force.

The cyclone unit helps reduce the amount of dust that enters into the cleaner, enhancing the suction performance with simple and easy dust disposing.

Cleaning (Suction)

Nozzle

With 250 mL dust case only

Attach the nozzle to clean off tables, desks, furniture, etc. The nozzle slips on easily.

► Fig.10: 1. Nozzle

Nozzle + Extension wand (Straight pipe)

The extension wand fits in between the nozzle and the cleaner itself. This arrangement is convenient for cleaning a floor in a standing position.

► Fig.11: 1. Cleaner body 2. Extension wand (Straight pipe) 3. Nozzle

Sash nozzle

Fit on the sash nozzle for cleaning corners and crevices of a car or furniture.

► Fig.12: 1. Sash nozzle 2. Cleaner body

You can store the sash nozzle in the nozzle holder.

► Fig.13: 1. Nozzle holder 2. Sash nozzle

CAUTION: Be careful not to trap finger(s) between the sash nozzle and the nozzle holder. Trapping finger(s) may cause injury.

Sash nozzle + Extension wand (Straight pipe)

In tight quarters where the cleaner itself cannot squeeze in, or in high places hard to reach, use this arrangement.

► Fig.14: 1. Sash nozzle 2. Extension wand (Straight pipe) 3. Cleaner body

Cleaning without nozzle

With 250 mL dust case only

You can pick up powder and dust without nozzle.

► Fig.15

For picking up dust on a floor in a standing position, it is convenient to attach the extension wand to the cleaner.

► Fig.16: 1. Extension wand (Straight pipe)

Disposing of dust

CAUTION: Empty the dust case before it becomes too full, or the suction force weakens.

CAUTION: Be careful not to trap finger(s) between the dust case and cyclone body when reassembling.

Dispose of accumulated dust as follows before it exceeds the dust disposal line.

1. Point the cleaner head downwards, hold the dust case firmly, and then pull it apart from the cyclone body while pressing and holding the release buttons on both sides of the dust case.

► Fig.17: 1. Dust disposal line 2. Dust case 3. Release buttons 4. Mesh filter

2. Empty the dust case and clean the adhered dust off the mesh filter.

► Fig.18

3. Place the dust case back onto the cyclone body to secure it in place with clicks.

► Fig.19: 1. Dust case 2. Release buttons 3. Cyclone body

CAUTION: The dust may fly up when disposed out of the dust case. Be careful not to let the dust get into your eyes.

NOTICE: When the dust case becomes dirty, remove and wash it with water. Dry the dust case thoroughly before reassembly and use.

NOTICE: Make sure all the attachments and components are secured in place properly before use.

NOTICE: If the suction force does not recover even after disposing of the dust and cleaning the mesh filter, check whether dust has accumulated inside the cyclone body or clogging has occurred.

MAINTENANCE

⚠ CAUTION: Always be sure that the tool is switched off and the battery cartridge is removed before attempting to perform inspection or maintenance.

⚠ CAUTION: Be sure to attach filters to the cleaner properly. Filters with holes or those not properly attached may allow dust to enter the motor housing. This may cause motor failure or fires.

NOTICE: Never use gasoline, benzine, thinner, alcohol or the like. Discoloration, deformation or cracks may result.

To maintain product SAFETY and RELIABILITY, repairs, any other maintenance or adjustment should be performed by Makita Authorized or Factory Service Centers, always using Makita replacement parts.

After use

⚠ CAUTION: Putting the cleaner against the wall without any other support may cause the cleaner to fall down, resulting in personal injury or damage to the cleaner.

► Fig.20

Regular maintenance

NOTICE: Clean the filters in the cyclone unit when they become clogged. Continuing use in the clogged condition may result in heating or motor malfunction.

NOTICE: Do not blow dust sticking on the cleaner and filters by air duster. It brings dust into the housing and causes failure.

Routine maintenance is required to restore normal operating conditions.

Cleaner body

Wipe off the outside (cleaner body) of the cleaner using a cloth dampened in soapy water, and clean out the suction openings.

► Fig.21

Cyclone unit and filters

NOTICE: Dust off and clean out inside the cyclone unit and filters, when suction performance becomes less effective regardless of the amount of dust collected in the dust case.

NOTICE: After washing filters, dry them thoroughly before use. Insufficiently dried filters may cause poor suction and shorten the service life of the motor.

NOTICE: After cleaning filters and sponge sheet, be sure to re-install them before use. If you use the cleaner without filters and sponge sheet, dust comes into the motor housing and causes malfunction.

Cyclone unit

1. Tap the cyclone unit several times with your hand to remove dust adhering to the inner surface of the cyclone unit and filter.

► Fig.22: 1. Cyclone unit

2. With the suction inlet pointing downwards, turn the cyclone unit as shown in the figure aligning the pointer on the cyclone unit with that on the cleaner body to disengage the lock. Then detach the cyclone unit from the cleaner body slowly and straightly.

► Fig.23: 1. Cyclone unit 2. Suction inlet 3. Pointers 4. Filter

NOTE: Dust may fly out when the cyclone unit is disassembled. It is recommended to place a garbage bag underneath the cyclone unit.

3. Dust off inside the cyclone unit and filter.

► Fig.24

4. Place the cyclone unit back onto the cleaner body, aligning the pointer on the cyclone unit with that on the cleaner body. Then turn the cyclone unit as shown in the figure until it is secured in place.

► Fig.25: 1. Cyclone unit 2. Cleaner body 3. Pointers

High performance filter

Optional accessory

1. Disassemble the cyclone unit from the cleaner body.

2. Hold the mounting end of high performance filter and pull it apart from the cleaner body.

► Fig.26: 1. High performance filter 2. Cleaner body

3. Wipe and shake dust off the high performance filter by hand.

► Fig.27

4. Wash the high performance filter in soapy water when it is clogged with dust and dirt. Dry it out thoroughly in the shade before use.

► Fig.28

NOTE: Avoid fastening the attachment end (rubber sealing ring) of high performance filter when hanging it up for drying.

5. Hold the mounting end of high performance filter and squeeze it back into the cleaner body.

► Fig.29: 1. High performance filter 2. Cleaner body

HEPA filter

Optional accessory

NOTICE: Do not rub or scratch the HEPA filter with hard objects such as a brush and a paddle.

1. Disassemble the cyclone unit from the cleaner body.

2. Hold the mounting end of HEPA filter (covered with high performance prefilter) and pull it apart from the cleaner body.

► Fig.30: 1. HEPA filter (covered with high performance prefilter) 2. Cleaner body

3. Disassemble the high performance prefilter from the HEPA filter by hand twisting.

► **Fig.31:** 1. High performance prefilter 2. HEPA filter

4. Wipe and shake dust off the high performance prefilter and HEPA filter by hand.

► **Fig.32**

5. Wash the high performance prefilter and HEPA filter in soapy water. Rinse and dry them thoroughly in the shade before use.

► **Fig.33**

NOTE: Avoid fastening the attachment end (rubber sealing ring) of HEPA filter when hanging it up for drying.

6. Attach the high performance prefilter onto the HEPA filter.

► **Fig.34:** 1. High performance prefilter 2. HEPA filter

7. Hold the mounting end of HEPA filter (covered with high performance prefilter) and squeeze it back into the cleaner body.

► **Fig.35:** 1. HEPA filter (covered with the high performance prefilter) 2. Cleaner body

Sponge sheet

1. Disassemble the cyclone unit from the cleaner body.

2. Hold the mounting end of filter and pull it apart from the cleaner body.

► **Fig.36:** 1. Filter 2. Cleaner body

3. Pull the sponge sheet off from the suction opening.

► **Fig.37:** 1. Sponge sheet 2. Suction opening

4. Wipe and shake dust off the sponge sheet by hand.

► **Fig.38**

5. Wash the sponge sheet in soapy water when it is clogged with dust and dirt. Dry it out thoroughly in the shade before use.

► **Fig.39**

6. Place the sponge sheet back in the original position. Make sure that the left and right edges of the sponge sheet are secured with stoppers and no gap between the sponge sheet and suction opening.

► **Fig.40:** 1. Sponge sheet 2. Stopper 3. Suction opening

7. Hold the mounting end of filter and squeeze it back into the cleaner body.

► **Fig.41:** 1. Filter 2. Cleaner body

Condition-based maintenance

NOTICE: Clean the mesh filter in the cyclone unit when they become clogged. Continuing use in the clogged condition may result in heating or motor malfunction.

Deep and spot cleaning needs to be carried out according to your tool performance.

Mesh filter

Clean up the mesh filter placed in the cyclone unit when no suggested improvement on suction performance has been found after completing regular maintenance.

1. Hold the dust case firmly and pull it apart from the cyclone body while pressing and holding the release buttons on both sides of the dust case.

► **Fig.42:** 1. Dust case 2. Cyclone body 3. Release buttons

2. Turn the mesh filter as shown in the figure to disengage the lock. Then detach it from the cyclone body.

► **Fig.43:** 1. Mesh filter

3. Disassemble the mesh filter into three components: prefilter, tubular sponge filter and mesh pipe.

i Squeeze the guide stoppers on top of the mesh pipe together.

ii Pass the guide stoppers down through the guide hole on top of the prefilter.

iii Pull the prefilter along the tubular sponge filter and mesh pipe.

iv Remove the tubular sponge filter from the mesh pipe.

► **Fig.44:** 1. Prefilter 2. Tubular sponge filter 3. Mesh pipe 4. Guide stoppers 5. Guide hole

4. Wipe and shake dust off the filters and mesh pipe by hand.

► **Fig.45**

5. Wash the filters and mesh pipe in soapy water when they are clogged with dust and dirt. Dry them out thoroughly in the shade before use.

► **Fig.46**

6. Reassemble the mesh filter.

i Insert the tubular sponge filter into the prefilter.

ii Insert the mesh pipe into the tubular sponge filter and prefilter, passing the guide stoppers on top of the mesh pipe through the guide hole on top of the prefilter.

iii Push the mesh pipe through the tubular sponge filter and prefilter until it lock in place with a click.

► **Fig.47:** 1. Prefilter 2. Tubular sponge filter 3. Mesh pipe 4. Guide stoppers 5. Guide hole

7. Attach the mesh filter back into the cyclone body aligning the hooks on the mesh filter with the ports on the suction outlet of the cyclone body. Turn the mesh filter as shown in the figure until the hooks are locked with a click. Make sure that the mesh filter is installed securely.

► **Fig.48:** 1. Mesh filter 2. Cyclone body 3. Hook 4. Port

Air channels in cyclone unit

Incoming foreign substance may block the air channels in the cyclone unit and laden air flows. Remove any obstacles in the air path if the suction performance is being affected remarkably.

1. Disassemble the cyclone unit into three components: dust case, mesh filter and cyclone body.

► **Fig.49:** 1. Dust case 2. Mesh filter 3. Cyclone body 4. Cleaner body

2. Press and hold the guide stopper on the inlet pipe down through the locking hole on the cyclone body using the hand tool with a point. Then detach the inlet pipe from the cyclone body.

► **Fig.50:** 1. Inlet pipe 2. Guide stopper 3. Cyclone body 4. Locking hole

3. Clean off any substance found in the air channels.

Foreign substance is likely to get stuck around an incoming air port.

► **Fig.51:** 1. Suction inlet 2. Incoming air port

4. Insert the inlet pipe back in place until it is securely locked.

► **Fig.52:** 1. Inlet pipe 2. Cyclone body 3. O-ring 4. Flap valve

NOTICE: Be sure that the O-ring and flap valve are securely in place before reassembly. Suction performance can be affected if the cyclone unit is operated without the O-ring and flap valve in place.

5. Reassemble the cyclone unit, and attach it onto the cleaner body.

Troubleshooting

Before asking for repairs, check the following points.

Symptom	Area to be investigated	Fixing method
Weak suction power	Is dust case or inside cyclone unit full of dust?	Empty dust case or inside cyclone unit.
	Are filters clogged?	Dust down or wash high performance filter/HEPA filter/sponge sheet/mesh filter.
	Anything to block incoming air channels?	Clean any dust and objects out of air openings and channels.
	Is battery cartridge discharged?	Charge battery cartridge.
Not working	Is battery cartridge discharged?	Charge battery cartridge.
Noise and vibration	Are filters clogged?	Dust down or wash high performance filter/HEPA filter/sponge sheet/mesh filter.
	Anything to block openings or holes?	Clean any dust and objects out of nozzles, pipes and air openings.
	Is suction inlet of nozzle or pipe closed?	Uncover and open suction inlet of nozzle and pipe.

CAUTION: Do not attempt to repair the cleaner by yourself.

OPTIONAL ACCESSORIES

CAUTION: These accessories or attachments are recommended for use with your Makita tool specified in this manual. The use of any other accessories or attachments might present a risk of injury to persons. Only use accessory or attachment for its stated purpose.

If you need any assistance for more details regarding these accessories, ask your local Makita Service Center.

- Extension wand (Straight pipe)
- Nozzle
- Nozzle for carpet
- Shelf brush
- Sash nozzle
- Round brush
- Flexible hose
- High performance filter
- HEPA filter
- Seat nozzle
- Crevice nozzle
- Cyclone unit
- Tool bag

- Makita genuine battery and charger

NOTE: Some items in the list may be included in the tool package as standard accessories. They may differ from country to country.

OSTRZEŻENIE

- Niniejsze urządzenie może być użytkowane przez dzieci w wieku powyżej 8 lat oraz przez osoby niebędące w pełni władz fizycznych, poznawczych i umysłowych lub nieposiadające doświadczenia ani wiedzy, o ile osoba odpowiedzialna za ich bezpieczeństwo zapewni odpowiedni nadzór i przekaze wskazówki dotyczące użytkowania urządzenia oraz zagrożeń z nimi związanych.
- Urządzenie nie jest przeznaczone do zabawy nim przez dzieci. Czyszczenie oraz konserwacja nie mogą być przeprowadzane przez dzieci bez nadzoru.
- Informacje na temat zalecanych akumulatorów zawiera rozdział „DANE TECHNICZNE”.
- Sposób montażu i demontażu opisano w punkcie „Wkładanie i wyjmowanie akumulatora”.
- Jeśli zajdzie konieczność utylizacji akumulatora, należy wyjąć go z narzędzia i przekazać w bezpieczne miejsce. Postępować zgodnie z przepisami lokalnymi dotyczącymi usuwania akumulatorów.
- Jeśli narzędzie nie będzie używane przez dłuższy czas, należy wyjąć z niego akumulator.
- Nie doprowadzać do zwarcia akumulatora.
- Szczegółowe informacje na temat środków ostrożności podczas konserwacji wykonywanej przez użytkownika zawiera rozdział „KONSERWACJA”.

DANE TECHNICZNE

Model:		DCL286F
Pojemność		250 ml / 400 ml (w zależności od kraju)
Użytkowanie ciągłe (z akumulatorem BL1830B)	1 (tryb cichy)	Okolo 38 min
	2 (tryb normalnej prędkości)	Okolo 21 min
	3 (tryb wysokiej prędkości)	Okolo 15 min
	4 (tryb maks. prędkości)	Okolo 8 min
Długość całkowita (z rurą, końcówką i akumulatorem BL1830B)		1 106 mm
Napięcie znamionowe		Prąd stały 18 V
Masa netto		1,6–2,0 kg

- W związku ze stale prowadzonym przez naszą firmę programem badawczo-rozwojowym niniejsze dane mogą ulec zmianom bez wcześniejszego powiadomienia.
- Dane techniczne mogą różnić się w zależności od kraju.
- Waga nie uwzględnia akcesoriów (oprócz akumulatorów). Wagi najlżejszych i najcięższych kombinacji urządzenia z akumulatorami przedstawiono w tabeli.

Kompatybilne akumulatory i ładowarki

Akumulator	BL1815N / BL1820B / BL1830B / BL1840B / BL1850B / BL1860B
Ładowarka	DC18RC / DC18RD / DC18RE / DC18SD / DC18SE / DC18SF / DC18SH / DC18WC

- Pewne z wymienionych powyżej akumulatorów i ładowarek mogą być niedostępne w regionie zamieszkania użytkownika.

⚠ OSTRZEŻENIE: Należy używać wyłącznie akumulatorów i ładowarek wymienionych powyżej. Używanie innych akumulatorów i ładowarek może stwarzać ryzyko wystąpienia obrażeń ciała lub pożaru.

Symbol

Poniżej pokazano symbole, jakie mogą być zastosowane na urządzeniu. Przed rozpoczęciem użytkowania należy zapoznać się z ich znaczeniem.



Przykładowy akumulator do zastosowania z tym produktem.



Przeczytaj instrukcję obsługi.



Dotyczy tylko państw UE
Z uwagi na obecność w sprzęcie niebezpiecznych składników, zużyty sprzęt elektryczny, elektroniczny, akumulatory oraz baterie mogą powodować negatywny wpływ na środowisko i zdrowie ludzi. Nie wyrzucaj urządzeń elektrycznych, elektronicznych lub akumulatorów wraz z odpadami z gospodarstwa domowego! Zgodnie z Europejską Dyrektywą w sprawie zużytego sprzętu elektrycznego i elektronicznego oraz dotyczącą akumulatorów i baterii oraz zużytych akumulatorów i baterii, a także dostosowaniem ich do prawa krajowego, zużyte urządzenia elektryczne, elektroniczne, baterie i akumulatory, należy składować osobno i przekazywać do punktu selektywnej zbiórki odpadów komunalnych, działającego zgodnie z przepisami dotyczącymi ochrony środowiska.
Informuje o tym symbol przekreślonego kołowego kontenera na odpady umieszczony na sprzęcie.

Przeznaczenie

To narzędzie jest przeznaczone do odsysania suchego pyłu.

OSTRZEŻENIA DOTYCZĄCE BEZPIECZEŃSTWA

Ostrzeżenia dotyczące bezpieczeństwa dla odkurzacza akumulatorowego

⚠ OSTRZEŻENIE: WAŻNE! UWAGNIE
PRZECZYTAĆ wszystkie zasady bezpieczeństwa i zalecenia PRZED UŻYCIEM. Niezastosowanie się do wspomnianych ostrzeżeń i instrukcji może doprowadzić do porażenia prądem elektrycznym, pożaru i/lub poważnych obrażeń ciała.

1. Należy chronić przed deszczem. Przechowywać w pomieszczeniu.
2. Nie pozwalać dzieciom bawić się urządzeniem. Należy zachować szczególną ostrożność, kiedy odkurzacz jest używany w pobliżu lub przez dzieci.
3. Używać tylko zgodnie z niniejszą instrukcją. Należy używać tylko akcesoriów zalecanych przez producenta.
4. Nie używać urządzenia z uszkodzonym akumulatorem. Jeśli urządzenie nie działa prawidłowo, zostało upuszczone, uszkodzone, pozostawione na zewnątrz lub wpadło do wody, należy je oddać do punktu serwisowego.
5. Nie wolno obsługiwać urządzenia mokrymi dłońmi.
6. Nie wkładać żadnych przedmiotów w otwory urządzenia. Nie używać urządzenia z

zablokowanymi otworami; usuwać pył, kłaczki, włosy i wszystko, co może ograniczyć przepływ powietrza.

7. Nie zbliżać włosów, luźnej odzieży, palców ani innych części ciała do otworów i ruchomych części.
8. Przed wyjęciem akumulatora należy wyłączyć wszystkie elementy sterowania.
9. Zachować szczególną ostrożność podczas sprzątania na schodach.
10. Nie używać do zbierania palnych lub łatwopalnych cieczy, takich jak benzyna, ani nie używać w miejscach, gdzie mogą występować.
11. Akumulator należy ładować wyłącznie przy użyciu ładowarki dostarczonej przez producenta.
12. Nie zbierać niczego, co się pali lub dymi, na przykład papierosów, zapalek lub gorącego popiołu.
13. Nie używać bez założonych filtrów i/lub worka na pył.
14. Nie ładować akumulatora na zewnątrz.
15. Akumulator należy ładować wyłącznie przy użyciu określonej przez producenta ładowarki. Ładowarka przeznaczona do jednego typu akumulatora może stwarzać zagrożenie pożarem, gdy będzie używana do ładowania innego akumulatora.
16. Do zasilania urządzeń należy używać tylko specjalnie do tego celu przeznaczonych akumulatorów. Używanie innych akumulatorów może stwarzać ryzyko wystąpienia obrażeń ciała lub pożaru.
17. Gdy akumulator nie jest używany, należy zabezpieczyć go przed kontaktem z metalowymi przedmiotami, takimi jak spinacze, monety, klucze, gwoździe, wkręty lub inne metalowe drobiazgi, które mogą powodować zwarcie styków akumulatora.
18. W niewłaściwych warunkach eksploatacji może dojść do wycieku elektrolitu z akumulatora. Nie należy go dotykać. W razie przypadkowego kontaktu należy przemyć skażoną skórę wodą.
19. Nie używać uszkodzonego lub przerobionego akumulatora ani urządzenia. Uszkodzone lub przerobione akumulatory mogą działać w nieprzewidywalny sposób i spowodować pożar, wybuch lub obrażenia ciała.
20. Nie wystawiać akumulatora ani urządzenia na działanie ognia ani nadmiernie wysokiej temperatury. Narażenie na ogień lub temperaturę wyższą niż 130°C może spowodować wybuch.
21. Przestrzegać wszystkich instrukcji ładowania i nie ładować akumulatora ani urządzenia w temperaturze wykraczającej poza zakres określony w instrukcji. Nieprawidłowe ładowanie lub ładowanie w temperaturze wykraczającej poza określony zakres może spowodować uszkodzenie akumulatora oraz wzrost zagrożenia pożarem.

ZACHOWAĆ NINIEJSZĄ INSTRUKCJĘ.

DODATKOWE ZALECENIA DOTYCZĄCE BEZPIECZEŃSTWA

Urządzenie jest przeznaczone do zastosowań domowych.

1. Przed rozpoczęciem pracy przeczytaj dokładnie niniejszy podręcznik obsługi oraz podręcznik obsługi ładowarki.
2. Nie wciągaj do urządzenia następujących materiałów:
 - Gorących substancji, które palą się lub dymią (papierosy, zapalki, kadzidełka, świeczki, gorący popiół), iskier i metalo-pyłu powstałych na skutek cięcia lub szlifowania metalu itp.
 - Palnych cieczy (nafty, benzyny, rozpuszczalników takich jak benzyna ekstrakcyjna, rozcieńczalniki itd.)
 - Palnych materiałów (tonera, farby, sprayy itd.)
 - Substancji wybuchowych lub samozapalnych (nitrogliceryny, glinu, magnezu, tytanu, cynku, czerwonego fosforu, żółtego fosforu, celulozoidu ani powstałych z nich pyłów, gazów lub pary)
 - Płynu, oleju, wilgotnych zanieczyszczeń oraz śmieci, w tym wymiotów i wydzielin
 - Twardych elementów o ostrych brzo-gach (wióry drewniane, metale, kamienie, szkło, gwoździe, kołki, żyłki czy sztućce)
 - Drobnych proszków utwardzających i przewodzących (metalowy lub węglowy proszek)
 - Piany, na przykład środka do czyszczenia dywanów itp. (może spowodować wybuch lub pożar)
 - Dużych ilości proszków (mąka, proszek gaśniczy itp.)
 - Substancji o działaniu toksycznym
 - Substancji chemicznych o silnym działaniu (kwasy, zasady itp.)
 - Silnie wiążących proszków, takich jak cement
 - Drobnych cząstek, takich jak pył betonowy
 - Środków osuszających
 - Azbestu
 - PestycydówTakie działania mogą spowodować pożar, obrażenia ciała i/lub straty materialne. Aby zmniejszyć narażenie na kontakt z powyższymi substancjami chemicznymi, należy używać zatwierdzonych środków ochrony dróg oddechowych, takich jak maski przeciwpyłowe przeznaczone do odfiltrowywania mikroskopijnych cząstek. Kierować powietrze wylotowe z dala od twarzy i ciała.
3. Natychmiast przerwać pracę po zauważeniu jakiegokolwiek nieprawidłowości.
4. Kiedy odkurzacz zostanie upuszczony lub uderzony, to przed uruchomieniem należy sprawdzić, czy nie jest uszkodzony, pęknięty

itd.

5. Nie należy go zbliżać do pieców ani innych źródeł ciepła.
6. Nie wolno zakrywać otworu wlotowego ani otworów wentylacyjnych.

ZACHOWAĆ NINIEJSZĄ INSTRUKCJĘ.

Ważne zasady bezpieczeństwa dotyczące akumulatora

1. Przed użyciem akumulatora zapoznać się ze wszystkimi instrukcjami i znakami ostrzegawczymi na (1) ładowarce, (2) akumulatorze i (3) produkcie, w którym będzie używany akumulator.
2. Nie rozmontowywać ani modyfikować akumulatora. Może to spowodować pożar, przegrzanie lub wybuch.
3. Jeśli czas działania uległ znacznemu skróceniu, należy natychmiast przerwać pracę. Może bowiem dojść do przegrzania, ewentualnych poparzeń, a nawet eksplozji.
4. W przypadku przedostania się elektrolitu do oczu, przemyć je czystą wodą i niezwłocznie uzyskać pomoc lekarską. Może on bowiem spowodować utratę wzroku.
5. Nie doprowadzać do zwarcia akumulatora:
 - (1) Nie dotykać styków materiałami przewodzącymi prąd.
 - (2) Unikać przechowywania akumulatora w pojemniku z metalowymi przedmiotami, takimi jak gwoździe, monety itp.
 - (3) Chronić akumulator przed deszczem lub wodą.Zwarcie prowadzi do przepływu prądu elektrycznego o dużym natężeniu i przegrzania akumulatora, co w konsekwencji może grozić poparzeniami a nawet awarią urządzenia.
6. Narzędzia i akumulatora nie wolno spalać, również tych poważnie uszkodzonych lub całkowicie zużytych. Akumulator może eksplodować w ogniu.
8. Nie należy przecinać ani zginać akumulatora, wbijać w niego gwoździ, rzucać nim, upuszczać, ani uderzać akumulatorem o twarde objekty. Takie działanie może spowodować pożar, przegrzanie lub wybuch.
9. Nie wolno używać uszkodzonego akumulatora.
10. Stanowiące wyposażenie akumulatory litowo-jonowe podlegają przepisom dotyczącym produktów niebezpiecznych. Na potrzeby transportu komercyjnego, np. świadczony przez firmy trzecie czy spedycyjne, należy przestrzegać specjalnych wymagań w zakresie pakowania i oznaczania etykietami. Przygotowanie produktu do wysyłki wymaga skonsultowania się ze specjalistą ds. materiałów niebezpiecznych. Należy także przestrzegać przepisów krajowych, które mogą być bardziej szczegółowe.

Zakleić taśmą lub zaślepić otwarte styki akumulatora oraz zabezpieczyć go, aby nie mógł się przesuwać w opakowaniu.

11. **Jeśli zajdzie konieczność utylizacji akumulatora, należy wyjąć go z narzędzia i przekazać w bezpieczne miejsce. Postępować zgodnie z przepisami lokalnymi dotyczącymi utylizacji akumulatorów.**
12. **Używać akumulatorów tylko z produktami określonymi przez firmę Makita.** Zastosowanie akumulatorów w niezgodnych produktach może spowodować pożar, przegrzanie, wybuch lub wyciek elektrolitu.
13. **Jeśli narzędzie nie będzie używane przez dłuższy czas, należy wyjąć z niego akumulator.**
14. **Przed użyciem akumulatora i po jego użyciu akumulator może pozostawać nagrzany, co może spowodować poparzenia lub poparzenia w niskiej temperaturze. Z gorącym akumulatorem należy obchodzić się ostrożnie.**
15. **Nie należy dotykać styku narzędzia bezpośrednio po jego użyciu, ponieważ może ono być na tyle gorące, że spowoduje oparzenia.**
16. **Nie należy dopuszczać, aby wióry, kurz lub brud gromadziły się na stykach, w otworach i rowkach akumulatora.** Może to doprowadzić do przegrzania, pożaru, wybuchu lub uszkodzenia narzędzia lub akumulatora, co może spowodować oparzenia lub obrażenia ciała.
17. **Jeśli narzędzie nie jest przeznaczone do użytku w pobliżu linii wysokiego napięcia, nie należy korzystać z akumulatora w ich sąsiedztwie.** Może to spowodować nieprawidłowości w działaniu lub uszkodzenie narzędzia lub akumulatora.
18. **Przechowywać akumulator w miejscu niedostępnym dla dzieci.**

ZACHOWAĆ NINIEJSZE INSTRUKCJE.

⚠ PRZESTROGA: Używać wyłącznie oryginalnych akumulatorów firmy Makita. Używanie nieoryginalnych akumulatorów firm innych niż Makita lub akumulatorów, które zostały zmodyfikowane, może spowodować wybuch akumulatora i pożar, obrażenia ciała oraz zniszczenie mienia. Stanowi to również naruszenie warunków gwarancji firmy Makita dotyczących narzędzia i ładowarki.

Wskazówki dotyczące zachowania maksymalnej trwałości akumulatora

1. **Akumulator należy naładować zanim zostanie do końca rozładowany. Po zauważeniu spadku mocy narzędzia należy przerwać pracę i naładować akumulator.**
2. **Nie wolno ładować powtórnie w pełni naładowanego akumulatora. Przeladowanie akumulatora skraca jego trwałość.**
3. **Akumulator należy ładować w temperaturze pokojowej w przedziale 10–40°C (50–104°F). W przypadku gorącego akumulatora przed przystąpieniem do ładowania należy poczekać, aż**

ostygnie.

4. **Jeśli akumulator nie jest używany, należy go wyjąć z narzędzia lub ładowarki.**
5. **Akumulatory niklowo-wodorkowe należy naładować po okresie długiego nieużytkowania (dłuższego niż sześć miesięcy).**

OPIS DZIAŁANIA

⚠ PRZESTROGA: Przed przystąpieniem do regulacji lub przeglądu narzędzia upewnić się, że jest ono wyłączone, a akumulator został wyjęty.

⚠ PRZESTROGA: Należy uważać, aby palce nie uwięzły pomiędzy korpusem odkurzacza a akumulatorem podczas ładowania akumulatora, jak pokazano na ilustracji. Grozi to zranieniem.

► Rys.1

Wkładanie i wyjmowanie akumulatora

⚠ PRZESTROGA: Przed włożeniem lub wyjęciem akumulatora należy zawsze wyłączyć narzędzie.

⚠ PRZESTROGA: Podczas wkładania lub wyjmowania akumulatora należy mocno trzymać narzędzie i akumulator. W przeciwnym razie mogą się one wyslizgnąć z rąk, powodując uszkodzenie narzędzia lub akumulatora i obrażenia ciała.

Aby wyjąć akumulator, przesunąć przycisk znajdujący się w przedniej jego części i wysunąć akumulator.

► **Rys.2:** 1. Czerwony wskaźnik 2. Przycisk 3. Akumulator

Aby włożyć akumulator, wyrównać występ na akumulatorze z rowkiem w obudowie i wsunąć go na swoje miejsce. Akumulator należy wsunąć do oporu, aż się zatrzaśnie na miejscu, co jest sygnalizowane delikatnym kliknięciem. Jeśli jest widoczny czerwony wskaźnik pokazany na rysunku, akumulator nie został całkowicie zablokowany.

⚠ PRZESTROGA: Akumulator należy włożyć do końca, tak aby czerwony wskaźnik nie był widoczny. W przeciwnym razie może przypadkowo wypaść z narzędzia, powodując obrażenia operatora lub osób postronnych.

⚠ PRZESTROGA: Nie wkładać akumulatora na siłę. Jeśli akumulator nie daje się swobodnie wsunąć, oznacza to, że został włożony nieprawidłowo.

Układ zabezpieczenia narzędzia/akumulatora

Narzędzie jest wyposażone w układ zabezpieczenia narzędzia/akumulatora. Układ automatycznie odcina zasilanie silnika w celu wydłużenia trwałości narzędzia i akumulatora. Narzędzie zostanie automatycznie zatrzymane podczas pracy w następujących sytuacjach związanych z narzędziem lub akumulatorem.

Przeciążenie:

Narzędzie/akumulator pracuje w sposób, który powoduje pobór nadmiernie wysokiego prądu. W takiej sytuacji należy wyłączyć narzędzie i zaprzestać wykonywania czynności powodującej przeciążenie narzędzia. Następnie należy włączyć narzędzie w celu jego ponownego uruchomienia.

Przegrzanie:

Nastąpiło przegrzanie narzędzia/akumulatora. W takiej sytuacji należy odczekać, aż narzędzie/akumulator ostygnie przed ponownym włączeniem narzędzia.

Niskie napięcie akumulatora:

Poziom naładowania akumulatora jest zbyt niski, aby narzędzie mogło pracować. W takiej sytuacji należy wyjąć akumulator i go naładować.

Inne zabezpieczenia:

Układ zabezpieczający jest także przeznaczony do ochrony przed innymi czynnikami, które mogłyby doprowadzić do uszkodzenia narzędzia, i umożliwia automatyczne zatrzymanie narzędzia. Należy wykonać poniższe kroki, aby usunąć przyczyny tymczasowego wstrzymania lub zatrzymania pracy narzędzia.

1. Wyłączyć narzędzie, a następnie włączyć je ponownie w celu zrestartowania.
2. Naładować akumulatory lub zastąpić je (lub jeden z nich) naładowanymi akumulatorami.
3. Pozostawić narzędzie i akumulator (akumulatory) do ostygnięcia.

Jeśli przywrócenie działania układu zabezpieczającego nie przynosi pozytywnych efektów, należy skontaktować się z lokalnym centrum serwisowym Makita.

Wskazanie stanu naładowania akumulatora

Tylko w przypadku akumulatorów ze wskaźnikiem

Nacisnąć przycisk kontrolny na akumulatorze w celu wyświetlenia stanu naładowania akumulatora. Lampki wskaźnika zaświecą się przez kilka sekund.

► **Rys.3:** 1. Lampki wskaźnika 2. Przycisk kontrolny

Lampki wskaźnika			Pozostała energia akumulatora
Świeci się	Wyłączony	Miga	
			75–100%
			50–75%
			25–50%
			0–25%
			Naładować akumulator.
			Akumulator może nie działać poprawnie.

WSKAZÓWKA: Zależnie od warunków użytkowania i temperatury otoczenia, wskazywany poziom może nieznacznie się różnić od rzeczywistego stanu naładowania akumulatora.

WSKAZÓWKA: Pierwsza (skrajnie po lewej stronie) lampka wskaźnika miga, gdy układ zabezpieczenia akumulatora jest aktywny.

Działanie przełącznika

► **Rys.4:** 1. Przycisk zmiany siły ssania 2. Przycisk WŁ./WYŁ.

Aby uruchomić odkurzacz, wystarczy nacisnąć przycisk WŁ./WYŁ. Aby wyłączyć, należy ponownie nacisnąć przycisk WŁ./WYŁ.

Dostępne są cztery stopnie zmiany siły ssania; aby je zmienić, należy nacisnąć przycisk zmiany siły ssania. Każde naciśnięcie tego przycisku powoduje cykliczną zmianę trybów w następującej kolejności: tryb cichy/normalnej prędkości/wysokiej prędkości/maksymalnej prędkości.

Poziom	Wskazanie	Tryb
1		Tryb cichy
2		Tryb normalnej prędkości
3		Tryb wysokiej prędkości
4		Tryb maks. prędkości

WSKAZÓWKA: Siłę ssania można zmienić przed włączeniem odkurzacza.

WSKAZÓWKA: Odkurzacz rozpoczyna pracę z taką samą siłą ssania, jak podczas ostatniego działania.

Włączanie lampki

⚠ PRZESTROGA: Nie patrzeć na światło ani bezpośrednio na źródło światła.

Aby włączyć lampkę, należy nacisnąć przycisk zmiany siły ssania. Lampka zgaśnie po upływie około 10 sekund.

Podczas pracy odkurzacza lampka świeci. Lampka gaśnie po około 10 sekundach od przerwania pracy.

WSKAZÓWKA: W przypadku niskiego stanu naładowania akumulatora lampka zaczyna migać. Moment, gdy lampka zaczyna migać, zależy od temperatury w miejscu pracy oraz od stanu akumulatora.

► **Rys.5:** 1. Przycisk zmiany siły ssania 2. Przycisk WŁ./WYŁ. 3. Lampka

OPIS CZĘŚCI

► Rys.6

1	Pojemnik na pył 250 ml (akcesorium opcjonalne)	2	Pojemnik na pył 400 ml (akcesorium opcjonalne)	3	Filtr siatkowy	4	Korpus przystawki Cyklon
5	Filtr o wysokiej wydajności (ramka filtra w kolorze szarym) (akcesorium opcjonalne)	6	Filtr HEPA (ramka filtra w kolorze białym) (akcesorium opcjonalne)	7	Gąbka	8	Korpus odkurzacza
9	Pasek ręczny (w zależności of kraju)	-	-	-	-	-	-

MONTAŻ

▲PRZESTROGA: Przed przystąpieniem do prac konserwacyjnych przy narzędziu upewnij się, że jest ono wyłączone, a akumulator został wyjęty.

▲PRZESTROGA: Należy zamontować filtry w odkurzaczu w prawidłowy sposób. Filtry, które zawierają otwory lub nie są prawidłowo zamontowane, mogą umożliwić przedostanie się pyłu do obudowy silnika. Może to spowodować awarię silnika lub pożar.

UWAGA: Przed rozpoczęciem eksploatacji należy sprawdzić, czy wszystkie przystawki i akcesoria są prawidłowo zamocowane.

Zakładanie i zdejmowanie przystawek odkurzacza

▲PRZESTROGA: Po założeniu przystawek sprawdzić, czy zostały dobrze zamocowane. Jeśli przystawki są zamocowane nieprawidłowo, mogą się odcepić i spowodować obrażenia ciała.

▲PRZESTROGA: Podczas zdejmowania przystawek zachować ostrożność, aby nie uderzyć ręką np. o ścianę.

W przypadku użycia przystawki z funkcją blokady

Aby założyć przystawkę, należy wsunąć ją do otworu zasysania odkurzacza, tak aby było słychać kliknięcie. Upewnij się, że przystawka jest zablokowana.

► **Rys.7:** 1. Otwór zasysania 2. Przystawka z funkcją blokady 3. Zaczep 4. Przycisk zwalniający

UWAGA: Podczas zakładania przystawki z funkcją blokady należy dopasować przycisk zwalniający na odkurzaczu do zaczepu przystawki. Jeśli nie będą one dopasowane, przystawka nie zostanie zablokowana i może wypaść z odkurzacza.

W celu usunięcia przystawki należy wyciągnąć ją z odkurzacza, jednocześnie naciskając i przytrzymując ramiona przycisku zwalniającego.

► **Rys.8:** 1. Przycisk zwalniający 2. Ramię przycisku zwalniającego 3. Przystawka z funkcją blokady 4. Otwór zasysania

W przypadku użycia przystawki bez funkcji blokady

UWAGA: W celu zamontowania przystawki bez funkcji blokady należy włożyć ją do otworu zasysania odkurzacza, przekręcając w sposób przedstawiony na rysunku. Aby wymontować przystawkę, należy odcepić ją od odkurzacza, przekręcając w sposób przedstawiony na rysunku. Należy unikać przekręcania przystawki w kierunku przeciwnym do wskazywanego przez strzałkę na rysunku, ponieważ może to spowodować poluzowanie przystawki Cyklon.

► Rys.9

OBSŁUGA

▲PRZESTROGA: Podczas pracy odkurzacza nie należy zbliżyć twarzy do otworu wentylacyjnego. Wdmuchnięcie ciała obcych do oczu może skutkować obrażeniami.

UWAGA: Należy unikać korzystania z odkurzacza ustawionego poziomo lub zwróconego w górę. W przeciwnym razie może dojść do zatkania filtra siatkowego.

UWAGA: Podczas korzystania z odkurzacza filtry powinny być zawsze założone. Eksploatacja odkurzacza bez założonych filtrów może spowodować usterkę silnika.

UWAGA: Po nagromadzeniu się pyłu należy opróżnić pojemnik na pył przystawki Cyklon. Dalsza praca bez uprzedniego wykonania tej czynności spowoduje osłabienie siły ssania.

Przystawka Cyklon pozwala zredukować ilość pyłu, który przedostaje się do odkurzacza, zwiększając wydajność ssania i zapewnia szybkie i proste usuwanie kurzu.

Odkurzanie (ssanie)

Końcówka

Tylko z pojemnikiem na pył 250 ml

Ta końcówka służy do odkurzania stołu, biurka, innych mebli itp. Końcówkę nasuwa się lekko.

- **Rys.10:** 1. Końcówka

Końcówka + rura przedłużająca (prosta)

Rurę przedłużającą zakłada się pomiędzy końcówkę a sam odkurzac. Ta kombinacja pozwala na wygodne odkurzanie podłogi na stojąco.

- **Rys.11:** 1. Korpus odkurzacza 2. Rura przedłużająca (prosta) 3. Końcówka

Końcówka wąska

Końcówka wąska służy do czyszczenia zakamarków w samochodzie oraz mieszkaniu.

- **Rys.12:** 1. Końcówka wąska 2. Korpus odkurzacza

Końcówkę wąską można przechowywać w uchwycie na końcówkę.

- **Rys.13:** 1. Uchwyt na końcówkę 2. Końcówka wąska

▲PRZESTROGA: Należy zachować ostrożność, aby palce nie utknęły pomiędzy końcówką wąską i uchwytem na końcówkę. Uwięzienie palców grozi zranieniem.

Końcówka wąska + rura przedłużająca (prosta)

Tę kombinację można stosować do odkurzania w miejscach ciasnych, gdzie nie zmieści się odkurzac, albo położonych wysoko.

- **Rys.14:** 1. Końcówka wąska 2. Rura przedłużająca (prosta) 3. Korpus odkurzacza

Odkurzanie bez końcówki

Tylko z pojemnikiem na pył 250 ml

Istnieje możliwość zbierania pyłu i kurzu bez końcówki.

- **Rys.15**

W celu zapewnienia wygody podczas zbierania kurzu w pozycji stojącej zaleca się zamocowanie do odkurzacza rury przedłużającej.

- **Rys.16:** 1. Rura przedłużająca (prosta)

Usuwanie kurzu

▲PRZESTROGA: Odkurzac należy opróżnić, zanim się zbyt napelni. W przeciwnym razie moc ssania będzie obniżona.

▲PRZESTROGA: Należy zachować ostrożność, aby podczas ponownego zakładania palce nie utknęły pomiędzy pojemnikiem na pył i korpusem przystawki Cyklon.

Nagromadzony pył należy usunąć w przedstawiony poniżej sposób, zanim przekroczone zostanie linia wskazująca konieczność usunięcia pyłu.

1. Skierować przednią część odkurzacza w dół, przytrzymać mocno pojemnik na pył, a następnie wyciągnąć go z korpusu przystawki Cyklon, jednocześnie naciskając i przytrzymując przyciski zwalnające po obu stronach pojemnika na pył.

- **Rys.17:** 1. Linia wskazująca konieczność usunięcia pyłu 2. Pojemnik na pył 3. Przyciski zwalnające 4. Filtr siatkowy

2. Opróżnić pojemnik na pył i usunąć kurz nagromadzony na filtrze siatkowym.

- **Rys.18**

3. Włożyć pojemnik na pył z powrotem do korpusu przystawki Cyklon i zamocować go na miejscu (kliknięcie).

- **Rys.19:** 1. Pojemnik na pył 2. Przyciski zwalnające 3. Korpus przystawki Cyklon

▲PRZESTROGA: Podczas usuwania kurzu z pojemnika na pył kurz może się unosić. Należy zachować ostrożność, aby kurz nie przedostał się do oczu.

UWAGA: Jeśli pojemnik na pył ulegnie zanieczyszczeniu, należy go wyjąć i przemyć wodą. Przed ponownym zamontowaniem i użyciem pojemnik na pył należy dokładnie osuszyć.

UWAGA: Przed rozpoczęciem eksploatacji należy sprawdzić, czy wszystkie przystawki i akcesoria są prawidłowo zamocowane.

UWAGA: Jeśli siła ssania nie zostanie przywrócona nawet po usunięciu kurzu i oczyszczeniu filtra siatkowego, należy sprawdzić, czy kurz nie nagromadził się wewnątrz korpusu przystawki Cyklon lub czy nie doszło do zatkania.

KONSERWACJA

▲PRZESTROGA: Przed przystąpieniem do przeglądu narzędzia lub jego konserwacji upewnić się, że jest ono wyłączone, a akumulator wyjęty.

▲PRZESTROGA: Należy zamontować filtry w odkurzaczu w prawidłowy sposób. Filtry, które zawierają otwory lub nie są prawidłowo zamontowane, mogą umożliwić przedostanie się pyłu do obudowy silnika. Może to spowodować awarię silnika lub pożar.

UWAGA: Nie stosować benzyny, rozpuszczalników, alkoholu itp. środków. Mogą one powodować odbarwienia, odkształcenia lub pęknięcia.

W celu zachowania odpowiedniego poziomu BEZPIECZEŃSTWA i NIEZAWODNOŚCI produktu wszelkie naprawy i różnego rodzaju prace konserwacyjne lub regulacje powinny być przeprowadzane przez autoryzowany lub fabryczny punkt serwisowy narzędzi Makita, zawsze z użyciem oryginalnych części zamiennych Makita.

Po zakończeniu pracy

▲PRZESTROGA: Oparcie odkurzacza o ścianę bez żadnego innego podparcia może spowodować jego przewrócenie się, co z kolei może prowadzić do obrażeń ciała lub uszkodzenia odkurzacza.

Regularna konserwacja

UWAGA: Jeśli filtry w przystawce Cyklon zatkają się, należy je oczyścić. Dalsza eksploatacja z zatkany elementami może doprowadzić do przegrzania lub uszkodzenia silnika.

UWAGA: Do usuwania kurzu, który przyczepił się do odkurzacza i filtrów, nie należy stosować odpłyacza powietrza. Powoduje to dostawanie się kurzu do wnętrza obudowy, co prowadzi do awarii.

W celu przywrócenia normalnych warunków pracy konieczne jest przeprowadzenie rutynowych czynności konserwacyjnych.

Korpus odkurzacza

Należy powycierać zewnętrzną część odkurzacza (korpus odkurzacza) za pomocą ściereczki zwilżonej wodą z mydłem, a następnie oczyścić otwory zasysania.

► Rys.21

Przystawka Cyklon i filtry

UWAGA: Jeśli wydajność ssania obniży się, należy usunąć pył i oczyścić wnętrze przystawki Cyklon i filtrów, niezależnie od ilości pyłu nagromadzonego w pojemniku na pył.

UWAGA: Po myciu filtrów należy je całkowicie wysuszyć przed kolejnym użyciem. Niedokładnie wysuszone filtry mogą powodować słabe ssanie i skrócić okres eksploatacji silnika.

UWAGA: Po czyszczeniu filtrów oraz gąbki należy upewnić się, że zostały ponownie założone przed kolejnym użyciem. W przypadku korzystania z odkurzacza bez założonych filtrów i gąbki kurz dostanie się do wnętrza obudowy silnika i spowoduje awarię.

Przystawka Cyklon

1. Należy kilkakrotnie uderzyć ręką w przystawkę Cyklon, aby usunąć pył przylegający do wewnętrznej powierzchni przystawki Cyklon i filtra.

► Rys.22: 1. Przystawka Cyklon

2. Otwór zasysania skierować w dół, przekręcić przystawkę Cyklon w sposób pokazany na rysunku, wyrównując wskaźnik na przystawce Cyklon ze wskaźnikiem na korpusie odkurzacza w celu zwolnienia blokady. Skierowaną na wprost przystawkę Cyklon powoli wyjąć z korpusu odkurzacza.

► Rys.23: 1. Przystawka Cyklon 2. Otwór zasysania 3. Wskaźniki 4. Filtr

WSKAZÓWKA: Po wymontowaniu przystawki Cyklon może unosić się kurz. Zaleca się, aby pod przystawką Cyklon umieścić worek na śmieci.

3. Usunąć pył z wnętrza przystawki Cyklon i filtra.

► Rys.24

4. Umieścić przystawkę Cyklon z powrotem w korpusie odkurzacza, wyrównując wskaźnik na przystawce Cyklon ze wskaźnikiem na korpusie odkurzacza. Następnie przekręcić przystawkę Cyklon w sposób pokazany na rysunku do czasu jej zamocowania na

miejscu.

► Rys.25: 1. Przystawka Cyklon 2. Korpus odkurzacza 3. Wskaźniki

Filtr o wysokiej wydajności

Akcesoria opcjonalne

1. Wymontować przystawkę Cyklon z korpusu odkurzacza.

2. Przytrzymać krawędź mocującą filtra o wysokiej wydajności i odciągnąć od korpusu odkurzacza.

► Rys.26: 1. Filtr o wysokiej wydajności 2. Korpus odkurzacza

3. Należy powycierać i ręcznie wytrząsnąć kurz z filtra o wysokiej wydajności.

► Rys.27

4. Umyć filtr o wysokiej wydajności wodą z mydłem, jeśli jest zatkany przez kurz i zanieczyszczenia. Przed ponownym użyciem element należy dokładnie wysuszyć w cieniu.

► Rys.28

WSKAZÓWKA: Podczas zawieszania filtra o wysokiej wydajności w celu jego wysuszenia należy unikać mocowania go za końcówkę przystawki (gumowy pierścień uszczelniający).

5. Przytrzymać krawędź mocującą filtra o wysokiej wydajności i wcisnąć z powrotem do korpusu odkurzacza.

► Rys.29: 1. Filtr o wysokiej wydajności 2. Korpus odkurzacza

Filtr HEPA

Akcesoria opcjonalne

UWAGA: Filtra HEPA nie należy skrobać żadnymi twardymi przedmiotami, np. szczotką lub łopatką.

1. Wymontować przystawkę Cyklon z korpusu odkurzacza.

2. Przytrzymać krawędź mocującą filtra HEPA (znajdującego się pod filtrem wstępnym wysokiej wydajności) i odciągnąć od korpusu odkurzacza.

► Rys.30: 1. Filtr HEPA (znajdujący się pod filtrem wstępnym wysokiej wydajności) 2. Korpus odkurzacza

3. Wymontować filtr wstępny wysokiej wydajności z filtra HEPA, przekręcając go ręcznie.

► Rys.31: 1. Filtr wstępny wysokiej wydajności 2. Filtr HEPA

4. Należy powycierać i ręcznie wytrząsnąć kurz z filtra wstępnego wysokiej wydajności i filtra HEPA.

► Rys.32

5. Wyplukać filtr wstępny wysokiej wydajności i filtr HEPA wodą z mydłem. Przed ponownym użyciem należy je dokładnie opłukać i wysuszyć w cieniu.

► Rys.33

WSKAZÓWKA: Podczas zawieszania filtra HEPA w celu jego wysuszenia należy unikać mocowania go za końcówkę przystawki (gumowy pierścień uszczelniający).

6. Przymocować filtr wstępny wysokiej wydajności do filtra HEPA.

► **Rys.34:** 1. Filtr wstępny wysokiej wydajności 2. Filtr HEPA

7. Przytrzymać krawędź mocującą filtra HEPA (znajdującego się pod filtrem wstępnym wysokiej wydajności) i przyczepić go ponownie do korpusu odkurzacza.

► **Rys.35:** 1. Filtr HEPA (znajdujący się pod filtrem wstępnym wysokiej wydajności) 2. Korpus odkurzacza

Gąbka

1. Wymontować przystawkę Cyklon z korpusu odkurzacza.

2. Przytrzymać krawędź mocującą filtra i odczepić od korpusu odkurzacza.

► **Rys.36:** 1. Filtr 2. Korpus odkurzacza

3. Wyjąć gąbkę z otworu zasysania.

► **Rys.37:** 1. Gąbka 2. Otwór zasysania

4. Należy powycierać i ręcznie wytrząsnąć kurz z gąbki.

► **Rys.38**

5. Umyć gąbkę wodą z mydłem, jeśli jest zatkana przez kurz i zanieczyszczenia. Przed ponownym użyciem element należy dokładnie wysuszyć w cieniu.

► **Rys.39**

6. Umieścić gąbkę z powrotem w oryginalnym położeniu. Należy upewnić się, czy prawa i lewa krawędź gąbki jest zamocowana w ogranicznikach i czy pomiędzy gąbką i otworem zasysania nie ma szczeliny.

► **Rys.40:** 1. Gąbka 2. Ogranicznik 3. Otwór zasysania

7. Przytrzymać krawędź mocującą filtra i wcisnąć go w powrotem do korpusu odkurzacza.

► **Rys.41:** 1. Filtr 2. Korpus odkurzacza

Konserwacja w zależności od warunków

UWAGA: Jeśli filtr siatkowy w przystawce Cyklon zatka się, należy go oczyścić. Dalsza eksploatacja z zatkanyymi elementami może doprowadzić do przegrzania lub uszkodzenia silnika.

Dogłębne i miejscowe czyszczenie należy przeprowadzać zgodnie z wydajnością urządzenia.

Filtr siatkowy

Jeśli pojemnik na pył ulegnie zanieczyszczeniu lub filtr siatkowy zatka się, należy je wyjąć i wymyć wodą. (Procedurę wyjmowania opisano w punkcie „Usuwanie kurzu”).

1. Przytrzymać mocno pojemnik na pył i wyciągnąć go z korpusu przystawki Cyklon, jednocześnie naciskając i przytrzymując przyciski zwalniające po obu stronach pojemnika na pył.

► **Rys.42:** 1. Pojemnik na pył 2. Korpus przystawki Cyklon 3. Przyciski zwalniające

2. Przekręcić filtr siatkowy w sposób pokazany na rysunku, aby odłączyć blokadę. Następnie odłączyć go

od korpusu przystawki Cyklon.

► **Rys.43:** 1. Filtr siatkowy

3. Rozmontować filtr siatkowy na trzy elementy: filtr wstępny, filtr rurowy z gąbki i rurę siatkową.

i Ścisnąć ze sobą ograniczniki prowadzące u góry rury siatkowej.

ii Poprowadzić ograniczniki prowadzące przez otwór prowadzący u góry filtra wstępnego.

iii Pociągnąć filtr wstępny wzdłuż rurowego filtra z gąbki i rury siatkowej.

iv Wyciągnąć rurowy filtr z gąbki z rury siatkowej.

► **Rys.44:** 1. Filtr wstępny 2. Rurowy filtr z gąbki 3. Rura siatkowa 4. Ograniczniki prowadzące 5. Otwór prowadzący

4. Należy powycierać i ręcznie wytrząsnąć kurz z filtrów i rury siatkowej.

► **Rys.45**

5. Umyć filtry i rurę siatkową wodą z mydłem, jeśli są zatkane przez kurz i zanieczyszczenia. Przed ponownym użyciem należy je dokładnie wysuszyć w cieniu.

► **Rys.46**

6. Zamontować ponownie filtr siatkowy.

i Włożyć rurowy filtr z gąbki do filtra wstępnego.

ii Włożyć rurę siatkową do rurowego filtra z gąbki i filtra wstępnego, prowadząc ograniczniki prowadzące u góry rury siatkowej przez otwór prowadzący u góry filtra wstępnego.

iii Wcisnąć rurę z siatki przez rurowy filtr z gąbki i filtr wstępny, tak aby została zablokowana na miejscu (kliknięcie).

► **Rys.47:** 1. Filtr wstępny 2. Rurowy filtr z gąbki 3. Rura siatkowa 4. Ograniczniki prowadzące 5. Otwór prowadzący

7. Przymocować filtr siatkowy z powrotem do korpusu przystawki Cyklon, wyrównując zaczepty na filtrze siatkowym z występami na otworze zasysania w korpusie przystawki Cyklon. Przekręcić filtr siatkowy, jak pokazano na rysunku, tak aby zaczepty zablokowały się (kliknięcie). Upewnić się, że filtr siatkowy jest prawidłowo zamontowany.

► **Rys.48:** 1. Filtr siatkowy 2. Korpus przystawki Cyklon 3. Zaczepty 4. Występy

Kanały powietrza w przystawce Cyklon

Przedostające się do środka ciała obce mogą zablokować kanały powietrza w przystawce Cyklon i utrudnić przepływ powietrza. Należy usunąć wszelkie przeszkody ze ścieżki powietrza, jeśli wydajność ssania znacznie się obniżyła.

1. Rozmontować przystawkę Cyklon na trzy elementy: pojemnik na pył, filtr siatkowy i korpus przystawki Cyklon.

► **Rys.49:** 1. Pojemnik na pył 2. Filtr siatkowy 3. Korpus przystawki Cyklon 4. Korpus odkurzacza

2. Należy nacisnąć i przytrzymać ogranicznik prowadzący na rurze wlotowej przez otwór blokady na korpusie przystawki Cyklon, używając narzędzia ręcznego.

Następnie odłączyć rurę wlotową od korpusu przystawki Cyklon.

► **Rys.50:** 1. Rura wlotowa 2. Ogranicznik prowadzący 3. Korpus przystawki Cyklon 4. Otwór blokady

3. Usunąć wszelkie substancje znajdujące się w kanałach powietrza.

Ciała obce mogą przylegać wokół przyłącza powietrza wlotowego.

► **Rys.51:** 1. Otwór zasysania 2. Przyłącze powietrza wlotowego

4. Włożyć rurę wlotową z powrotem na miejsce, tak

aby została dokładnie zablokowana.

► **Rys.52:** 1. Rura wlotowa 2. Korpus przystawki Cyklon 3. Pierścień O-ring 4. Zawór klapowy

UWAGA: Należy pamiętać, aby przed ponownym zamontowaniem pierścienia O-ring i zawór klapowy zostały zamocowane na miejscu. Wydajność ssania może zostać obniżona, jeśli przystawka Cyklon będzie używana bez założonego pierścienia O-ring i zaworu klapowego.

5. Zmontować ponownie przystawkę Cyklon i przy mocować ją do korpusu odkurzacza.

Rozwiązywanie problemów

Przed oddaniem produktu do naprawy należy sprawdzić następujące punkty.

Objaw	Obszar wymagający kontroli	Metoda naprawy
Słaba siła ssania	Czy pojemnik na pył lub wewnątrz przystawki Cyklon są zapełnione pyłem?	Opróżnić pojemnik na pył lub wewnątrz przystawki Cyklon.
	Czy filtry są zatkane?	Wytrześć z kurzu lub umyć filtr o wysokiej wydajności / filtr HEPA / gąbkę / filtr siatkowy.
	Czy coś blokuje kanały powietrza wlotowego?	Usunąć pył i jakiegokolwiek przedmioty z wylotów i kanałów powietrza.
	Czy akumulator jest rozładowany?	Naładować akumulator.
Nie działa	Czy akumulator jest rozładowany?	Naładować akumulator.
Hałas i drgania	Czy filtry są zatkane?	Wytrześć z kurzu lub umyć filtr o wysokiej wydajności / filtr HEPA / gąbkę / filtr siatkowy.
	Czy cokolwiek blokuje wyloty lub otwory?	Usunąć pył i jakiegokolwiek przedmioty z końcówek, rur i wylotów powietrza.
	Czy otwór zasysania końcówki lub rury jest zamknięty?	Odsłonić i otworzyć otwór zasysania końcówki i rury.

⚠ PRZESTROGA: Nie wolno próbować samodzielnie naprawiać odkurzacza.

AKCESORIA OPCJONALNE

⚠ PRZESTROGA: Zaleca się stosowanie wymienionych akcesoriów i przystawek razem z narzędziem Makita opisanym w niniejszej instrukcji. Stosowanie innych akcesoriów lub przystawek może być przyczyną obrażeń ciała. Akcesoria lub przystawki należy wykorzystywać tylko zgodnie z ich przeznaczeniem.

W razie potrzeby wszelkiej pomocy i szczegółów informacji na temat niniejszych akcesoriów udziela Państwu lokalne punkty serwisowe Makita.

- Rura przedłużająca (prosta)
- Końcówka
- Końcówka do dywanów
- Szczotka do pólek
- Końcówka wąska
- Szczotka okrągła
- Wąż elastyczny
- Filtr o wysokiej wydajności
- Filtr HEPA

- Końcówka do siedzeń
- Końcówka szczelinowa
- Przystawka Cyklon
- Torba na narzędzia
- Oryginalny akumulator i ładowarka firmy Makita

WSKAZÓWKA: Niektóre pozycje znajdujące się na liście mogą być dołączone do pakietu narzędziowego jako akcesoria standardowe. Mogą to być różne pozycje, w zależności od kraju.

FIGYELMEZTETÉS

- A készüléket nem használhatják 8 évnél fiatalabb gyermekek, valamint csökkent fizikai, érzékelési vagy értelmi képességű személyek, illetve olyanok, akiknek nincs meg a tapasztalatuk és tudásuk ehhez, kivéve, ha valaki a biztonságos használatra megtanítja őket, ismerteti velük a lehetséges veszélyeket, és a használat közben felügyeli őket.
- Gyermekek ne játsszanak a készülékkel. A készülék tisztítását és karbantartását felügyelet nélküli gyermekek ne végezzék.
- Az akkumulátor típusreferenciáját lásd a „MŰSZAKI ADATOK” fejezetben.
- Az akkumulátor eltávolításának vagy felszerelésének módjáról lásd az „Akkumulátor felszerelése és eltávolítása”.
- Az akkumulátor ártalmatlanításakor vegye ki azt a szerszámból, és ártalmatlanítsa egy biztonságos helyen. Az akkumulátor ártalmatlanításakor tartsa be a helyi előírásokat.
- Ha a szerszám hosszabb ideig nincs használatban, az akkumulátort ki kell venni a szerszámból.
- Ne zárja rövidre az akkumulátort.
- A felhasználói karbantartás során követendő óvintézkedések részleteit lásd a „KARBANTARTÁS” fejezetben.

RÉSZLETES LEÍRÁS

Típus:		DCL286F
Kapacitás		250 ml / 400 ml (országfüggő)
Folyamatos használat (BL1830B akkumulátorral)	1 (csendes üzemmód)	Kb. 38 min
	2 (normál fordulatszámú üzemmód)	Kb. 21 min
	3 (magas fordulatszámú üzemmód)	Kb. 15 min
	4 (maximális fordulatszámú üzemmód)	Kb. 8 min
Teljes hossz (csővel, szívófejvel és BL1830B-ös akkumulátorral)		1 106 mm
Névleges feszültség		18 V, egyenáram
Nettó tömeg		1,6–2,0 kg

- Folyamatos kutató- és fejlesztőprogramunk eredményeként az itt felsorolt tulajdonságok figyelmeztetés nélkül megváltozhatnak.
- A tulajdonságok országról országra különbözhetnek.
- A súly a tartozékok nélkül, de az akkumulátorral/akkumulátorokkal együtt értendő. A berendezés és az akkumulátor(ok) súlyának kombinációi a táblázatban láthatók.

Alkalmazható akkumulátorok és töltők

Akkumulátor	BL1815N / BL1820B / BL1830B / BL1840B / BL1850B / BL1860B
Töltő	DC18RC / DC18RD / DC18RE / DC18SD / DC18SE / DC18SF / DC18SH / DC18WC

- Lakóhelyétől függően előfordulhat, hogy a fent felsorolt akkumulátorok és töltők nem érhetők el.

▲ FIGYELMEZTETÉS: Csak a fentiekben felsorolt akkumulátorokat és töltőket használja. Bármilyen más akkumulátor vagy töltő használata sérüléseket és/vagy tüzet okozhat.

Szimbólumok

A következőkben a berendezésen esetleg használt jelképek láthatók. A szerszám használata előtt bizonyosodjon meg arról hogy helyesen értelmezi a jelentésüket.



Olvassa el a használati utasítást.



A termékhez használandó akkumulátortípus.



Csak EU-tagállamok számára
Mivel a berendezésben veszélyes alkatrészek vannak, az elektromos és elektronikus berendezések, akkumulátorok és elemek hulladékai negatív hatással lehetnek a környezetre és az emberi egészségre. Az elektromos és elektronikus készülékeket vagy akkumulátorokat ne dobja a háztartási szemétebe!
Az elektromos és elektronikus berendezések hulladékairól és az akkumulátorokról és elemekről, valamint az akkumulátorok és elemek hulladékáról szóló európai irányelvnek, valamint a nemzeti jogszabályokhoz történő adaptálásának megfelelően a használt elektromos berendezéseket, elemeket és akkumulátorokat külön kell tárolni, és a települési hulladék elkülönített gyűjtőhelyére kell szállítani a környezetvédelmi előírásoknak megfelelően.
Ezt jelzi a berendezésen elhelyezett áthúzott kerek kuka szimbólum.

Rendeltetés

A készülék száraz por összegyűjtésére szolgál.

BIZTONSÁGI FIGYELMEZTETÉS

A vezeték nélküli porszívóra vonatkozó biztonsági figyelmeztetések

▲ FIGYELMEZTETÉS: FONTOS: HASZNÁLAT ELŐTT MINDENKÉPP OLVASSA EL az összes biztonsági figyelmeztetést és utasítást. Ha nem tartja be a figyelmeztetéseket és utasításokat, akkor áramütés, tűz és/vagy súlyos sérülés következhet be.

1. Ne tegye ki a készüléket esőnek. Tárolja a készüléket beltéren.
2. Ne használja játékszerként. Fokozott körülményekkel járjon el, ha a készüléket gyermekek közelében használja.
3. A készüléket kizárólag a jelen kézikönyvben leírt módon használja. Kizárólag a gyártó által javasolt tartozékokat használja.
4. Ne használja sérült akkumulátorral. Ha a készülék nem megfelelően működik, leejtették, megsérült, kültéren hagyták vagy vízbe ejtették, vigye vissza a szervizbe.
5. Ne használja a készüléket nedves kézzel.
6. Ne zárja el tárgyakkal a készülék nyílásait. A készüléket ne használja lezárt nyílásokkal; tartsa távol a port, szőszet, haját és minden olyan tárgyat, mely csökkentheti a levegő áramlását.
7. Tartsa távol haját, laza ruházatát, ujjait és minden egyéb testrészét a nyílásoktól és a mozgó részekről.
8. Kapcsoljon ki minden vezérlőt, mielőtt eltávolítja az akkumulátort.

9. Legyen különösen óvatos, amikor lépcsőn végez vele takarítást.
10. Ne használja tüveszélyes vagy gyúlékony folyadékok, mint például benzin felszívására, továbbá ne használja ezek környezetében sem.
11. Csak a gyártó által biztosított töltővel töltsé újra.
12. Ne szívjon fel vele semmilyen égő vagy füstölgő tárgyat, mint például cigaretta, gyufa vagy forró hamu.
13. Ne használja porzsák és szűrő nélkül.
14. Ne töltsé az akkumulátort kültéren.
15. Az akkumulátort csak a gyártó által meghatározott töltővel töltsé. Egy adott típusú akkumulátorhoz használható töltő más akkumulátorokkal való használata tüzet okozhat.
16. A készülékeket kizárólag a meghatározott akkumulátorokkal használja. Egyéb akkumulátorok használata sérülést vagy tüzet okozhat.
17. Amikor nem használja az akkumulátort, azt a többi fémtárgytól, például iratkapcsoktól, érméktől, kulcsoktól, szögektől, csavaroktól vagy egyéb apró fémtárgyaktól távol tárolja, mert ezek összekötést hozhatnak létre a pólusok között.
18. Helytelen működtetés esetén az akkumulátorból folyadék folyhat ki; kerülje az ezzel való érintkezést. Ha véletlenül érintkezésbe kerülne a folyadékkal, vízzel öblítse le.
19. Ne használjon sérült vagy módosított akkumulátort vagy készüléket. A sérült vagy módosított akkumulátorok váratlan módon viselkedhetnek, melynek következtében tüzet, robbanást vagy sérülést okozhatnak.
20. Ne tegye ki az akkumulátort vagy a készüléket nyílt lángnak vagy túlzott hőhatásnak. A tűz hatása és a 130 °C feletti hőmérséklet robbanást okozhat.
21. A töltésre vonatkozó minden utasítást tartson be, ne töltsé az akkumulátort vagy a készüléket a megadott hőmérséklet tartományon kívül. A nem megfelelő módu és nem megfelelő hőmérsékleten történő töltés az akkumulátor károsodásával járhat, valamint tüzet okozhat.

ŐRIZZE MEG EZEKET AZ UTASÍTÁSOKAT.

KIEGÉSZÍTŐ BIZTONSÁGI ELŐÍRÁSOK

A készülék kizárólag beltéri használatra alkalmas.

1. A használat előtt figyelmesen olvassa át ezt a használati útmutatót és a töltő használati útmutatóját.
2. Ne vegye fel vele a következő anyagokat:
 - Égő vagy füstölgő forró anyagok (cigaretta, gyufa, füstölőpálcika, gyertya, forró hamu), szikrák és fémpor, amely fém vágásakor vagy csiszolásakor keletkezik stb.
 - Gyúlékony folyadék (kerozin, benzin, oldószer, mint például benzin, hígító stb.)

- Gyúlékony anyagok (toner, festék, spray stb.)
- Robbanó vagy piroforos anyagok (nitroglicerín, alumínium, magnézium, titán, cink, vörös foszfor, sárga foszfor, celluloid stb. és ezek pora, gáza vagy gőze)
- Folyadék, olaj, vizes szennyeződés vagy nedves szemét, beleértve a hányást és az ürüléket is
- Kemény, éles szélű anyagok (faforgács, fémek, kövek, üvegek, szögek, tűk, borotvák vagy evőeszközök)
- Szilárdító és vezető finom por (fém- vagy szénpor)
- Hab, mint például a szőnyegtisztítószer stb. (ami robbanást vagy tüzet okozhat)
- Nagy mennyiségű por (liszt, tűzoltópor stb.)
- Mérgezési tüneteket okozó anyagok
- Agresszív vegyi anyagok (savak, lúgok stb.)
- Finom kötőpor, például cement
- Finom részecskék, mint például betonpor
- Szárítószerek
- Azbeszt
- Növényvédőszer

Az ilyen művelet tüzet, sérülést és/vagy anyagi kárt okozhat.

Annak érdekében, hogy csökkentse ezeknek a vegyi anyagoknak az expozícióját, mindig viseljen erre a célra jóváhagyott légzésvédelmi felszereléseket, mint például olyan porvédő álarccokat, amelyeket kifejezetten a mikroszkopikus részecskék kiszűrésére fejlesztettek ki. A kiáramló levegőt irányítsa el az arcától és a testétől.

3. **Ha bármilyen rendellenességet észlel, azonnal állítsa le a készüléket.**
4. **Ha elejtette vagy valamihez odaütötte a porszívót, a használat előtt gondosan ellenőrizze, hogy nincsenek-e rajta repedések vagy sérülések.**
5. **Ne vigye tűzhely vagy más hőforrás közelébe.**
6. **Ne zárja le a szívónyílást vagy a szellőzőnyílásokat.**

ŐRIZZE MEG EZEKET AZ UTASÍTÁSOKAT.

Fontos biztonsági utasítások az akkumulátorra vonatkozóan

1. **Az akkumulátor használata előtt tanulmányozza át az akkumulátortöltőn (1), az akkumulátoron (2) és az akkumulátorral működtetett terméken (3) olvasható összes utasítást és figyelmeltető jelzést.**
2. **Ne szerelje szét, és ne módosítsa az akkumulátort.** Tüzet, túlzott hőt vagy robbanást okozhat.
3. **Ha a működési idő nagyon lerövidült, azonnal hagyja abba a használatot.** Ez a túlmelegedés, esetleges égések és akár robbanás veszélyével is járhat.
4. **Ha elektrolit kerül a szemébe, mossa ki azt**

tiszta vízzel és azonnal kérjen orvosi segítséget. Ez a látásának elvesztését okozhatja.

5. **Ne zárja rövidre az akkumulátort:**
 - (1) **Ne érjen az érintkezőkhöz elektromosan vezető anyagokkal.**
 - (2) **Ne tárolja az akkumulátort más fémtárgyakkal, mint pl. szegekkel, érmekkel, stb. egy helyen.**
 - (3) **Ne tegye ki az akkumulátort víznek vagy esőnek.**
- Az akkumulátor rövidzárlata nagy áramerősséget, túlmelegedést, égéseket, sőt akár meghibásodást is okozhat.**
6. **Ne tárolja és használja a szerszámot vagy az akkumulátort olyan helyen, ahol a hőmérséklet elérheti vagy meghaladhatja az 50 °C-t (122 °F).**
7. **Ne égesse el az akkumulátort még akkor sem, ha az komolyan megsérült vagy teljesen elhasználdott. Az akkumulátor a tűzben felrobbanhat.**
8. **Ne szúrja meg, ne vágja meg, ne törje össze, ne dobja el és ne ejtse le az akkumulátort, illetve ne üsse hozzá kemény tárgyhoz.** Az ilyen magatartás tüzet, túlzott hőt vagy robbanást okozhat.
9. **Ne használjon sérült akkumulátort.**
10. **A készülékben található lítium-ion akkumulátorokra a veszélyes árukkal kapcsolatos előírások vonatkoznak.**

A termék pl. harmadik felek, fuvarozó cégek stb. által történő szállítása esetén minden esetben tartsa szem előtt a csomagoláson és a címkén található speciális követelményeket.

A termék szállításra történő felkészítése esetén vegye fel a kapcsolatot egy veszélyes anyagokkal foglalkozó szakemberrel. Kérjük, hogy esetlegesen szigorúbb nemzeti előírásokat is vegye figyelembe.

Ragassza le a kiálló érintkezőket, illetve oly módon csomagolja be az akkumulátort, hogy az ne tudjon elmozdulni a csomagolásban.
11. **Az akkumulátor ártalmatlanításakor vegye ki azt a szerszámból, és ártalmatlanítsa egy biztonságos helyen. Az akkumulátor ártalmatlanításakor tartsa be a helyi előírásokat.**
12. **Az akkumulátorokat csak a Makita által megjelölt termékekhez használja.** Ha az akkumulátorokat azokkal nem kompatibilis termékekbe helyezi, az tűzhez, túlmelegedéshez, robbanáshoz vagy elektrolitszivárgáshoz vezethet.
13. **Ha a szerszám hosszabb ideig nincs használatban, az akkumulátort ki kell venni a szerszámból.**
14. **Használat közben és után az akkumulátor felforrósodhat, ami égési sérülést vagy alacsony hőmérsékletű égési sérülést okozhat. Figyeljen oda a forró akkumulátor kezelésére.**
15. **Ne érintse meg közvetlenül a szerszám érintkezőjét, mert elég forró lehet ahhoz, hogy égési sérülések okozzon.**
16. **Ne engedje, hogy forgács, por vagy sár tapadjon az akkumulátor érintkezőire, lyukaiba és hornyaiiba.** Az fellemelegedést, tüzet, robbanást és a szerszám vagy az akkumulátor meghibásodását okozhatja, ami égési és személyi sérülésekhez

vezet.

- Hacsak a szerszám nem támogatja a nagyfeszültségű elektromos vezetékek közelében történő használatot, ne használja az akkumulátort nagyfeszültségű elektromos vezetékek közelében. Az a szerszám vagy az akkumulátor hibás működését vagy meghibásodását okozhatja.
- Tartsa távol a gyermekektől az akkumulátort.

ŐRIZZE MEG EZEKET AZ UTASÍTÁSOKAT.

⚠VIGYÁZAT: Csak eredeti Makita akkumulátorokat használjon. A nem eredeti Makita akkumulátorok vagy módosított akkumulátorok használata esetén az akkumulátor felrobbanhat, ami tüzet, személyi sérülést és anyagi kárt okozhat. A Makita szerszáma és töltőre vonatkozó Makita garanciát is érvénytelenítheti.

Tippek az akkumulátor maximális élettartamának eléréséhez

- Töltse fel az akkumulátort, mielőtt teljesen lemerülne. Állítsa le a gépet, és töltse fel az akkumulátort, ha a gép erejének csökkenését észleli.
- Soha ne töltse újra a teljesen feltöltött akkumulátort. A túltöltés csökkenti az akkumulátor élettartamát.
- Töltse az akkumulátort szobahőmérsékleten, 10 °C - 40 °C (50 °F - 104 °F) között. Töltés előtt hagyja lehűlni a fölforrósodott akkumulátort.
- Ha nem használja az akkumulátort, vegye ki a szerszámból vagy a töltőből.
- Töltse fel az akkumulátort, ha hosszabb ideje (több mint hat hónapja) nem használta azt.

A MŰKÖDÉS LEÍRÁSA

⚠VIGYÁZAT: Minden esetben ellenőrizze, hogy a szerszám ki van kapcsolva és az akkumulátor eltávolításra került mielőtt beállít vagy ellenőriz valamilyen funkciót a szerszámon.

⚠VIGYÁZAT: Figyeljen oda, nehogy az akkumulátor behelyezésekor az ábrán látható módon becsipje az ujját/ujjait a porszívó és az akkumulátor közé. Az ujj(ak) becsipődése sérülést okozhat.

▶ **Ábra1**

Az akkumulátor behelyezése és eltávolítása

⚠VIGYÁZAT: Mindig kapcsolja ki az eszközt, mielőtt behelyezi vagy eltávolítja az akkumulátort.

⚠VIGYÁZAT: Az akkumulátor behelyezésekor vagy eltávolításakor erősen fogja meg a szerszámot és az akkumulátort. Ha nem fogja erősen a szerszámot és az akkumulátort, azok kicsúszhatnak a kezei közül, ami a szerszám és az akkumulátor károsodásához, de akár személyi sérüléshez is vezethet.

Az akkumulátoregység kivételéhez nyomja be az akkumulátoregység elején található gombot, és húzza le a gépről.

▶ **Ábra2:** 1. Piros jel 2. Gomb 3. Akkumulátor

Az akkumulátor beszereléséhez illessze az akkumulátor nyelvét a burkolaton található vátjatba, és csúsztassa a helyére. Egészen addig tolja be, amíg az akkumulátor egy kis kattánással a helyére nem ugrik. Ha látható a piros jel az ábrán látható módon, akkor nem kattant be teljesen.

⚠VIGYÁZAT: Mindig tolja be teljesen az akkumulátort, amíg a piros jel el nem tűnik. Ha ez nem történik meg, akkor az akkumulátor kieshet a szerszámból, és Önnek vagy a környezetében másnak sérülést okozhat.

⚠VIGYÁZAT: Ne erőltesse az akkumulátort behelyezésre. Ha az akkumulátor nem csúszik be könnyedén, akkor nem megfelelően lett behelyezve.

Szerszám-/akkumulátorvédő rendszer

A gép szerszám-/akkumulátorvédő rendszerrel van felszerelve. A rendszer automatikusan kikapcsolja a motor áramellátását, így megnöveli a szerszám és az akkumulátor élettartamát. A gép használat közben automatikusan leáll, ha a szerszám vagy az akkumulátor a következő állapotba kerül.

Túlterhelés:

A szerszámot/akkumulátort úgy működteti, hogy áramfelvétele rendellenesen magas.

Ilyenkor kapcsolja ki a gépet, és állítsa le azt az alkalmazást, amelyik a túlterhelést okozza. Újraindításhoz kapcsolja be a gépet.

Túlemelegedés:

A szerszám/akkumulátor túlemelegedett. Ilyenkor hagyja lehűlni a szerszámot/akkumulátort, mielőtt ismét bekapcsolná.

Az akkumulátor feszültsége alacsony:

Az akkumulátor fennmaradó kapacitása túl alacsony, a szerszámot nem tudja működtetni. Ilyenkor vegye le és töltse fel az akkumulátort.

Egyéb okok elleni védelem:

A védelmi rendszert más olyan okok ellen is tervezték, amelyek károsíthatják a szerszámot és amelyek lehetővé teszik, hogy a szerszám automatikusan leálljon. Hajtsa végre az alábbi összes lépést az okok tisztázása érdekében, ha a szerszám ideiglenesen vagy teljesen leállt.

1. Kapcsolja ki a szerszámot, majd kapcsolja be ismét az újraindításhoz.
2. Töltse fel az akkumulátor(oka)t vagy cserélje ki azt/azokat újratöltött akkumulátorral.
3. Hagyja, hogy a szerszám és az akkumulátor(ok) lehűljenek.

Ha nem történik javulás a védelmi rendszer helyreállítása után sem, forduljon a helyi Makita Szervizközpontoz.

Az akkumulátor töltöttségének jelzése

Csak állapotjelzős akkumulátorok esetén

Nyomja meg az ellenőrzőgombot, hogy az akkumulátortöltöttség-jelző megmutassa a hátralévő akkumulátor-kapacitást. Ekkor a töltöttség-szint-jelző lámpák néhány másodpercre kigyulladnak.

► **Ábra3:** 1. Jelzőlámpák 2. Check (ellenőrzés) gomb

Jelzőlámpák			Töltöttségi szint
Világító lámpa	KI	Villogó lámpa	
■	□	▧	75%-tól 100%-ig
■ ■ ■ ■	□	□	50%-tól 75%-ig
■ ■ □ □	□	□	25%-tól 50%-ig
■ □ □ □	□	□	0%-tól 25%-ig
▧ □ □ □	□	□	Töltse fel az akkumulátort.
■ ■ □ □	□	□	Lehetséges, hogy az akkumulátor meghibásodott.
□ □ ■ ■	□	□	

MEGJEGYZÉS: Az adott munkafeltételektől és a környezeti hőmérsékletétől függően a jelzett töltöttségi szint némileg eltérhet a tényleges töltöttségi szinttől.

MEGJEGYZÉS: Az első (bal oldali szélső) jelzőlámpa villog, ha az akkumulátorvédelmi rendszer működik.

A kapcsoló használata

► **Ábra4:** 1. Szívóerő módosító gomb 2. BE/KI gomb

A porszívó bekapcsolásához csak nyomja meg a BE/KI gombot. A kikapcsoláshoz nyomja meg a újra a BE/KI gombot.

A szívóerő módosító gomb használatával négy lépésben változtathatja a porszívó szívóerejét. A gomb minden egyes megnyomása ciklikusan ismétli a Csendes/Normál/Magas/Maximális üzemmódokat.

Fokozat	Jelzés	Üzemmód
1	☰	Csendes üzemmód
2	☷	Normál fordulatszámú üzemmód
3	☶	Magas fordulatszámú üzemmód
4	☵	Maximális fordulatszámú üzemmód

MEGJEGYZÉS: A porszívó bekapcsolása előtt megváltoztathatja a szívóerőt.

MEGJEGYZÉS: A porszívó ugyanazzal a szívóerővel kezd működni, mint a legutóbbi működéskor.

A lámpa bekapcsolása

⚠ VIGYÁZAT: Ne tekintsen a fénybe vagy ne nézze egyenesen a fényforrást.

A lámpa bekapcsolásához nyomja meg a szívóerő módosító gombot. A lámpa körülbelül 10 másodperc múlva kialszik.

A porszívó működése közben a lámpa be van kapcsolva.

A lámpa körülbelül a működés leállítását követően 10 másodperccel kialszik.

MEGJEGYZÉS: Ha az akkumulátor hamarosan lemerül, a lámpa villogni kezd. A munkaterület környezeti hőmérsékletétől és az akkumulátor állapotától függ, hogy a lámpa milyen ütemben villog.

► **Ábra5:** 1. Szívóerő módosító gomb 2. BE/KI gomb 3. Lámpa

ALKATRÉSZEK LEÍRÁSA

► **Ábra6**

1	250 ml-es porgyűjtő doboz (opcionális kiegészítő)	2	400 ml-es porgyűjtő doboz (opcionális kiegészítő)	3	Szitaszűrő	4	Ciklontest
5	Nagy teljesítményű szűrő (szűrőkeret szürke színnel jelölve) (opcionális kiegészítő)	6	HEPA szűrő (szűrőkeret fehér színnel jelölve) (opcionális kiegészítő)	7	Szivacs lap	8	Porszívóburkolat
9	Csuklópánt (országfüggő)	-	-	-	-	-	-

ÖSSZESZERELÉS

⚠ VIGYÁZAT: Minden esetben ellenőrizze, hogy a szerszám ki van kapcsolva és az akkumulátort levette, mielőtt bármilyen műveletet végez a szerszámon.

⚠ VIGYÁZAT: Ügyeljen arra, hogy a szűrőket megfelelően rögzítse a tisztítóhoz. A lyukacsos vagy nem megfelelően rögzített szűrők lehetővé tehetik a por bejutását a motorházba. Ez motorhibát vagy tüzet okozhat.

MEGJEGYZÉS: Használat előtt győződjön meg róla, hogy minden tartozékot és komponenszt megfelelően rögzítettek a helyére.

A szívótartozékok felszerelése és eltávolítása

⚠ VIGYÁZAT: A tartozékok felszerelése után ellenőrizze, hogy biztonságosan vannak-e rögzítve. Ha a tartozékok nem megfelelően vannak felszerelve, leeshetnek, és személyi sérülést okozhatnak.

⚠ VIGYÁZAT: Vigyázzon, ne üsse a kezét a falba, stb. a tartozékok eltávolításakor.

Reteszelő funkció tartozék használatakor

A tartozék felszereléséhez tolja azt be a porszívó szívónylásába, amíg bekattan. Győződjön meg arról, hogy a tartozék rögzült.

► **Ábra7:** 1. Szívónylás 2. Reteszelő funkció tartozék 3. Akasztó 4. Kioldógomb

MEGJEGYZÉS: A reteszelő funkció tartozék felszerelésekor vigyázzon, hogy a porszívó kioldógombját a tartozékon lévő akasztóhoz igazítsa. Ha nincsenek egy vonalban, a tartozék nem rögzül, és leeshet a porszívóról.

A tartozék eltávolításához húzza azt ki a porszívóból, miközben nyomva tartja a kioldógomb karjait.

► **Ábra8:** 1. Kioldógomb 2. A kioldógomb karja 3. Reteszelő funkció tartozék 4. Szívónylás

Reteszelő funkció nélküli tartozék használatakor

MEGJEGYZÉS: A reteszelő funkció nélküli tartozék beszereléséhez illesse azt a porszívó szívónylásába az ábrán látható módon becsavarva azt. A tartozék leválasztásához csavarja azt ki a porszívóból az ábrán látható módon. Ne csavarja a tartozékot az ábrán látható nyíllal ellentétes irányba, mert kilazulhat a ciklonegység.

► **Ábra9**

MŰKÖDTETÉS

⚠ VIGYÁZAT: Ne vigye az arcát közel a szellőzőnyíláshoz a porszívó működtetésekor. Ha idegen tárgyakat fúj valakinek a szemébe, az személyi sérülést okozhat.

MEGJEGYZÉS: Ne használja a porszívót vízszintes vagy felfelé néző helyzetben. Ellenkező esetben a szítaszűrő eltömődhet.

MEGJEGYZÉS: A porszívót mindig beszerelt szűrők mellett használja. A porszívó szűrők nélküli használata a motor meghibásodását okozhatja.

MEGJEGYZÉS: Űritse ki a porgyűjtő dobozt a ciklonegységben, ha por gyűlt össze benne. Ha folytatja a használatot, csökken a szívóerő.

A ciklonegység segít csökkenteni a porszívóba bejutó por mennyiségét, növelve a szívóteljesítményt az egyszerű és könnyű porkiürítéssel.

Tisztítás (porszívás)

Szívófej

Csak a 250 ml-es porgyűjtő dobozzal

Csatlakoztassa a szívófejet asztalok, íróasztalok, bútorok, stb. tisztításakor. A szívófej könnyedén rácsúsztható a csonkra.

► **Ábra10:** 1. Szívófej

Szívófej + csőtoldalat (egyenes cső)

A csőtoldalát a szívófej és a porszívó közé illeszthető be. Az így összeszerelt készülékkel kényelmesen, felegyesedve tisztítható a padló.

► **Ábra11:** 1. Porszívóburkolat 2. Csőtoldal (egyenes cső) 3. Szívófej

Sarokszívófej

Csatlakoztassa a sarokszívófejhez sarkok és az autó vagy bútorok réseinek tisztításához.

► **Ábra12:** 1. Sarokszívófej 2. Porszívóburkolat

A sarokszívófejet a szívófejtartóban tárolhatja.

► **Ábra13:** 1. Szívófejtartó 2. Sarokszívófej

⚠ VIGYÁZAT: Ügyeljen rá, hogy ne csipje be az ujjait a sarokszívófej és a szívófejtartó közé. Az ujj(ak) becsípődése sérülést okozhat.

Sarokszívófej + csőtoldal (egyenes cső)

Olyan szűk terekben, ahová maga a porszívó nem férne be, vagy nehezen elérhető, magas helyeken használja ezt az összeállítást.

► **Ábra14:** 1. Sarokszívófej 2. Csőtoldal (egyenes cső) 3. Porszívóburkolat

Tisztítás szívófej nélkül

Csak a 250 ml-es porgyűjtő dobozzal

Port a szívófej nélkül is felszívhat.

► Ábra15

A padlón lévő por álló helyzetben történő felszívásához célszerű a csőtoldatot csatlakoztatni a porszívóhoz.

► Ábra16: 1. Csőtoldat (egyenes cső)

A por kiürítése

⚠ VIGYÁZAT: Üritse ki a porszívóból a port, mielőtt az túlságosan megtelik, máskülönben gyengül a szívóhatás.

⚠ VIGYÁZAT: Ügyeljen rá, hogy ne csípje be az ujjait a porgyűjtő doboz és a ciklontest közé az újraösszeszerelés közben.

A felgyülemlett port az alábbiak szerint távolítsa el, mielőtt ellepné a porürítési vonalat.

1. Irányítsa lefelé a porszívófejet, tartsa erősen a porgyűjtő dobozt, majd húzza le a ciklontestről, miközben lenyomva tartja a kioldógombokat a porgyűjtő doboz mindkét oldalán.

► Ábra17: 1. Porürítési vonal 2. Porgyűjtő doboz 3. Kioldógombok 4. Szítaszűrő

2. Üritse ki a porgyűjtő dobozt, és távolítsa el a port, ami a hálósűrőre tapadt.

► Ábra18

3. Helyezze vissza a porgyűjtő dobozt a ciklontestre úgy, hogy szilárdan a helyére rögzüljön egy kattánással.

► Ábra19: 1. Porgyűjtő doboz 2. Kioldógombok 3. Ciklontest

⚠ VIGYÁZAT: Por szállhat fel, miközben a porgyűjtő dobozt ürítik. Ügyeljen rá, hogy ne kerüljön por a szemébe.

MEGJEGYZÉS: Ha a porgyűjtő doboz piszkos lesz, vegye ki és mossa le vízzel. Visszaszerelés és használat előtt szárítsa meg alaposan a porgyűjtő dobozt.

MEGJEGYZÉS: Használat előtt győződjön meg róla, hogy minden tartozékot és komponenst megfelelően rögzítettek a helyére.

MEGJEGYZÉS: Ha a szívóerő még a por kiürítése és a szítaszűrő megtisztítása után sem erősödik, ellenőrizze, hogy nem gyűlt-e fel por a ciklontestben vagy nem tömődött-e el.

KARBANTARTÁS

⚠ VIGYÁZAT: Minden esetben ellenőrizze, hogy a szerszám ki van kapcsolva és az akkumulátor eltávolításra került mielőtt átvizsgálja a szerszámot vagy annak karbantartását végzi.

⚠ VIGYÁZAT: Ügyeljen arra, hogy a szűrőket megfelelően rögzítse a tisztítóhoz. A lyukacsos vagy nem megfelelően rögzített szűrők lehetővé tehetik a por bejutását a motorházba. Ez motorhibát vagy tüzet okozhat.

MEGJEGYZÉS: Soha ne használjon gázolajt, benzint, hígítót, alkoholt vagy hasonló anyagokat. Ezek elszíneződést, alakvesztést vagy repedést okozhatnak.

A termék BIZTONSÁGÁNAK és MEGBÍZHATÓSÁGÁNAK fenntartása érdekében a javításokat és más karbantartásokat vagy beállításokat a Makita hivatalos vagy gyári szervizközpontjában kell elvégezni, mindig csak Makita cserealkatrészeket használva.

A használat után

⚠ VIGYÁZAT: Ha a porszívót kitémasztás nélkül a falnak dönti, akkor eldőlhethet, ami személyi sérülést és a porszívó károsodását okozhatja.

► Ábra20

Rendszeres karbantartás

MEGJEGYZÉS: Tisztítsa ki a ciklonegység szűrőit, amikor eltömődnek. Ha folytatja a használatot eltömődött állapotban, az felmelegedést vagy a motor meghibásodását okozhatja.

MEGJEGYZÉS: Ne fújja a port a porszívóba és a szűrőbe légfúvó rácsatlakoztatásával. Így por kerül a motorházba, és meghibásodást okoz.

A normál működési feltételek helyreállításához rendszeres karbantartás szükséges.

Porszívóburkolat

Törölje át a porszívó külsejét (porszívóburkolat) szappanos vízzel megnedvesített ruhával, és tisztítsa ki a beszívónyílásokat.

► Ábra21

Ciklonegység és szűrők

MEGJEGYZÉS: Távolítsa el a port és tisztítsa ki a ciklonegység belsejét és a szűrőket, amikor a szívóteljesítmény kevésbé hatékony, függetlenül a porgyűjtő dobozban összegyűlt por mennyiségétől.

MEGJEGYZÉS: A szűrők mosása után alaposan szárítsa meg azokat használat előtt. A nem teljesen megszáritott szűrő gyenge szívóteljesítményt és a motor élettartamának rövidülését okozhatja.

MEGJEGYZÉS: A szűrők és a szivacs lap tisztítása után ügyeljen rá, hogy használat előtt újra visszahelyezze azokat. Ha szűrők és szivacs lap nélkül használja a porszívót, por kerül a motorházba, ami a motor meghibásodását okozza.

Ciklonegység

1. Ütögesse meg többször a ciklonegységet a kezével, hogy eltávolítsa a ciklonegység és a szűrő belső felületére tapadt port.

► **Ábra22:** 1. Ciklonegység

2. A szívónyílással lefelé fordítsa el a ciklonegységet az ábrán látható módon úgy, hogy a ciklonegység mutatóját a porszívóburkolaton lévő mutatóhoz igazítja a retesz kioldásához. Majd lassan és egyenes irányban válassza le a ciklonegységet a porszívóburkolatról.

► **Ábra23:** 1. Ciklonegység 2. Szívónyílás 3. Mutatók 4. Szűrő

MEGJEGYZÉS: Por szállhat ki, amikor leszereli a ciklonegységet. Javasolt egy szemeteszákos tenni a ciklonegység alá.

3. Távolítsa el a port a ciklonegység belsejéből és a szűrőből.

► **Ábra24**

4. Helyezze vissza a ciklonegységet a porszívóburkolatra úgy, hogy a mutatót a ciklonegységen a porszívóburkolat mutatójához igazítja. Majd forgassa el a ciklonegységet az ábrán látható módon, amíg a helyére nem rögzül.

► **Ábra25:** 1. Ciklonegység 2. Porszívóburkolat 3. Mutatók

Nagy teljesítményű szűrő

Opcionális kiegészítők

1. Szerelje le a ciklonegységet a porszívóburkolatról.

2. Fogja meg a nagy teljesítményű szűrő rögzítővégét, és húzza ki a porszívóburkolatból.

► **Ábra26:** 1. Nagy teljesítményű szűrő 2. Porszívóburkolat

3. Kézzeel törölje le és rázza ki a nagy teljesítményű szűrőből a port.

► **Ábra27**

4. Mossa ki a nagy teljesítményű szűrőt szappanos vízzel, ha por vagy szennyeződés tömíti el. Használat előtt alaposan szárítsa meg árnyékos helyen.

► **Ábra28**

MEGJEGYZÉS: Ne rögzítse a nagy teljesítményű szűrő csatlakozóvégét (gumi tömítőgyűrű), amikor szárítás céljából felakasztja.

5. Fogja meg a nagy teljesítményű szűrő rögzítővégét, és nyomja vissza a porszívóburkolatba.

► **Ábra29:** 1. Nagy teljesítményű szűrő 2. Porszívóburkolat

HEPA szűrő

Opcionális kiegészítők

MEGJEGYZÉS: Ne dörzsölje vagy karcolja a HEPA szűrőt kemény tárgyakkal, például kefével vagy durva ecsettel.

1. Szerelje le a ciklonegységet a porszívóburkolatról.

2. Fogja meg a HEPA szűrő (a nagy teljesítményű előszűrővel befedve) rögzítővégét, és húzza ki a porszívóburkolatból.

► **Ábra30:** 1. HEPA szűrő (a nagy teljesítményű előszűrővel befedve) 2. Porszívóburkolat

3. Szerelje le a nagy teljesítményű előszűrőt a HEPA szűrőről kézzel csavarva azt.

► **Ábra31:** 1. Nagy teljesítményű előszűrő 2. HEPA szűrő

4. Kézzeel törölje le és rázza ki a nagy teljesítményű előszűrőből és a HEPA szűrőből a port.

► **Ábra32**

5. Mossa meg a nagy teljesítményű előszűrőt és a HEPA szűrőt szappanos vízzel. Használat előtt öblítse le és alaposan szárítsa meg azokat árnyékos helyen.

► **Ábra33**

MEGJEGYZÉS: Ne rögzítse a HEPA szűrő csatlakozóvégét (gumi tömítőgyűrű), amikor szárítás céljából felakasztja.

6. Szerelje be a nagy teljesítményű előszűrőt a HEPA szűrőre.

► **Ábra34:** 1. Nagy teljesítményű előszűrő 2. HEPA szűrő

7. Fogja meg a HEPA szűrő (a nagy teljesítményű előszűrővel befedve) rögzítővégét, és csavarja vissza a porszívóburkolatra.

► **Ábra35:** 1. HEPA szűrő (a nagy teljesítményű előszűrővel befedve) 2. Porszívóburkolat

Szivacs lap

1. Szerelje le a ciklonegységet a porszívóburkolatról.

2. Fogja meg a szűrő rögzítővégét, és húzza ki a porszívóburkolatból.

► **Ábra36:** 1. Szűrő 2. Porszívóburkolat

3. Húzza ki a szivacs lapot a beszívónyílásból.

► **Ábra37:** 1. Szivacs lap 2. Beszívónyílás

4. Kézzeel törölje le és rázza ki a szivacs lapból a port.

► **Ábra38**

5. Mossa ki a szivacs lapot szappanos vízzel, ha por vagy szennyeződés tömíti el. Használat előtt alaposan szárítsa meg árnyékos helyen.

► **Ábra39**

6. Helyezze vissza a szivacs lapot az eredeti helyébe. Ügyeljen rá, hogy a szivacs lap bal és jobb szélét ütközők rögzítsék, és ne legyen rés a szivacs lap és a beszívónyílás között.

► **Ábra40:** 1. Szivacs lap 2. Ütköző 3. Beszívónyílás

7. Fogja meg a szűrő rögzítővégét, és nyomja vissza a porszívóburkolatra.

► **Ábra41:** 1. Szűrő 2. Porszívóburkolat

Allapotfüggő karbantartás

MEGJEGYZÉS: Tisztítsa ki a ciklonegység szitaszűrőjét, amikor eltömődik. Ha folytatja a használatot eltömődött állapotban, az felmelegedést vagy a motor meghibásodását okozhatja.

A mélytisztítást és a folteltávolítást a szerszám teljesítménye szerint kell elvégezni.

Szitaszűrő

Ha a porgyűjtő doboz piszkos lesz vagy a szitaszűrő eltömődik, vegye ki azokat, és mossa meg vízzel. (Az eltávolítási eljárást lásd a „Por kiürítése” című részben.)

1. Tartsa erősen a porgyűjtő dobozt és húzza le a ciklonestről, miközben lenyomva tartja a kioldógombokat a porgyűjtő doboz mindkét oldalán.

► **Ábra42:** 1. Porgyűjtő doboz 2. Ciklonest 3. Kioldógombok

2. A retesz kioldásához fordítsa el a szitaszűrőt az ábrán látható módon. Majd válassza le azt a ciklonestről.

► **Ábra43:** 1. Szitaszűrő

3. Szerelje szét a szitaszűrőt három részre: előszűrőre, cső alakú szivacs szűrőre és a szitaszűrőre.

i Nyomja össze a szitacső tetején található vezetőütközőket.

ii Vezesse le a vezetőütközőket az előszűrő tetején lévő vezetőlyukon keresztül.

iii Húzza az előszűrőt a cső alakú szivacs szűrő és a szitaszűrő mentén.

iv Távolítsa el a cső alakú szivacs szűrőt a szitaszűrőből.

► **Ábra44:** 1. Előszűrő 2. Cső alakú szivacs szűrő 3. Szitacső 4. Vezetőütközők 5. Vezetőlyuk

4. Kézvel törölje le és rázza ki a szűrőből és a szitacsőből a port.

► **Ábra45**

5. Mossa ki a szűrőt és a szitacsövet szappanos vízzel, ha por vagy szennyeződés tömíti el. Használat előtt alaposan szárítsa meg azokat árnyékos helyen.

► **Ábra46**

6. Szerelje újból össze a szitaszűrőt.

i Illessze a cső alakú szűrőt az előszűrőbe.

ii Illessze a szitacsövet a cső alakú szivacs szűrőbe és az előszűrőbe a szitacső tetején található vezetőütközőket átvezetve a vezetőlyukon az előszűrő tetején.

iii Tolja át a szitaszűrőt a cső alakú szivacs szűrőn és az előszűrőn addig, amíg a helyére nem rögzül egy kattánással.

► **Ábra47:** 1. Előszűrő 2. Cső alakú szivacs szűrő 3. Szitacső 4. Vezetőütközők 5. Vezetőlyuk

7. Illessze vissza a szitaszűrőt a ciklonestbe úgy, hogy a szitaszűrő akasztóit a ciklonest kimeneti szívónyílásán lévő nyílásokhoz igazítja. Fordítsa el a szitaszűrőt az ábrán látható irányba addig, amíg az akasztók egy kattánással nem rögzülnek. Győződjön meg róla, hogy a szitaszűrő biztonságosan van felhelyezve.

► **Ábra48:** 1. Szitaszűrő 2. Ciklonest 3. Akasztó 4. Nyílás

Légcsatorna a ciklonegységben

A beáramló idegen anyagok elzárhatják a ciklonegység légcsatornáit és megterhelhetik a levegő áramlását.

Távolítsa el minden akadályt a levegő útjából, ha az a szívóteljesítményt jelentősen befolyásolja.

1. Szerelje szét a ciklonegységet három részre: porgyűjtő dobozra, szitaszűrőre és ciklonestre.

► **Ábra49:** 1. Porgyűjtő doboz 2. Szitaszűrő 3. Ciklonest 4. Porszívóburkolat

2. Nyomja meg és tartsa lenyomva a bemeneti csővön lévő vezetőütközőt a ciklonest retesz elnyílásán keresztül egy hegyes kéziszerszám segítségével. Majd válassza le a bemeneti csövet a ciklonestről.

► **Ábra50:** 1. Bemeneti cső 2. Vezetőütköző 3. Ciklonest 4. Retesz elnyílás

3. Takarítson ki bármilyen anyagot, amit a légcsatornáknak talál.

Valószínű, hogy idegen anyagok akadnak el a bemeneti levegőnyílások körül.

► **Ábra51:** 1. Szívónyílás 2. Bemeneti levegőnyílás

4. Illessze vissza a helyére a bemeneti csövet úgy, hogy szilárdan rögzüljön.

► **Ábra52:** 1. Bemeneti cső 2. Ciklonest 3. O-gyűrű 4. Csapószelep

MEGJEGYZÉS: Az összeszerelés előtt győződjön meg róla, hogy az O-gyűrű és a csapószelep szilárdan a helyükön vannak. Az befolyásolhatja a szívóteljesítményt, ha a ciklonegységet úgy működeti, hogy az O-gyűrű és a csapószelep nincsenek a helyükön.

5. Újból szerelje össze a ciklonegységet és csatlakoztassa azt a porszívóburkolatra.

Hibaelhárítás

Mielőtt javítást igényelne, ellenőrizze a következőket.

Tünet	Átvizsgálendő terület	Megoldás
Gyenge szívóteljesítmény	A porgyűjtő doboz és a ciklonegység belseje tele van porral?	Újírtse ki a porgyűjtő dobozt és a ciklonegységet.
	Eltömődtek a szűrők?	Porolja ki vagy mossa ki a nagy teljesítményű szűrőt/a HEPA szűrőt/a szivacsclapot/a szitaszűrőt.
	Valami blokkolja a bejövő légcatornákat?	Tisztítson ki minden port és tárgyat a levegőnyílásokból és csatornákból.
	Lemerült az akkumulátor?	Töltse fel az akkumulátort.
Nem működik	Lemerült az akkumulátor?	Töltse fel az akkumulátort.
Zaj és rezgés	Eltömődtek a szűrők?	Porolja ki vagy mossa ki a nagy teljesítményű szűrőt/a HEPA szűrőt/a szivacsclapot/a szitaszűrőt.
	Elzárja bármi a nyílásokat vagy lyukakat?	Tisztítson ki minden port és tárgyat a szívófejből, a csövekből és a levegőnyílásokból.
	A szívófej vagy a cső szívónyílása zárva van?	Vegye le a fedelét és nyissa ki a szívófej és a cső szívónyílását.

⚠ VIGYÁZAT: Ne próbálja egyedül megjavítani a porszívót.

OPCIONÁLIS KIEGÉSZÍTŐK

⚠ VIGYÁZAT: Ezen kiegészítőket és tartozékokat javasoljuk a kézikönyvben ismertetett Makita szerszámhoz. Bármilyen más kiegészítő vagy tartozék használata a személyi sérülés kockázatával jár. A kiegészítőt vagy tartozékokat csak rendeltetésszerűen használja.

Ha bármilyen segítségre vagy további információkra van szüksége ezekkel a tartozékokkal kapcsolatban, keresse fel a helyi Makita Szervizközpontot.

- Csőtoldat (egyenes cső)
- Szívófej
- Szőnyegkefe
- Bútorkefe
- Sarokszívófej
- Körkefe
- Hajlékony cső
- Nagy teljesítményű szűrő
- HEPA szűrő
- Ülészívó fej
- Résszívófej
- Ciklonegység
- Szerszámtáska
- Eredeti Makita akkumulátor és töltő

MEGJEGYZÉS: A listán felsorolt néhány kiegészítő megtalálható az eszköz csomagolásában standard kiegészítőként. Ezek országonként eltérőek lehetnek.

VAROVANIE

- Toto náradie môžu používať deti staršie ako 8 rokov a osoby so zníženými fyzickými, zmyslovými a duševnými schopnosťami alebo nedostatočnou skúsenosťou, ak pracujú pod dohľadom alebo na základe vydaných pokynov o používaní náradia bezpečným spôsobom a chápu možné riziká.
- Deti sa s náradím nesmú hrať. Deti bez dozoru nesmú vykonávať čistenie a údržbu.
- Informácie o type akumulátora nájdete v kapitole „TECHNICKÉ ŠPECIFIKÁCIE“.
- Spôsob demontáže alebo inštalácie akumulátora nájdete v časti „Inštalácia alebo demontáž akumulátora“.
- Akumulátor pri likvidácii odstráňte z nástroja a zlikvidujte ho na bezpečnom mieste. Akumulátor zlikvidujte v súlade s miestnymi nariadeniami.
- Ak sa nástroj dlhší čas nepoužíva, odstráňte z neho akumulátor.
- Akumulátor neskratujte.
- Podrobné informácie týkajúce sa bezpečnostných opatrení počas údržby používateľom nájdete v kapitole „ÚDRŽBA“.

TECHNICKÉ ŠPECIFIKÁCIE

Model:		DCL286F
Kapacita		250 ml/400 ml (v závislosti od krajiny)
Nepretržité používanie (s akumulátorom BL1830B)	1 (tichý režim)	Približne 38 min
	2 (režim normálnych otáčok)	Približne 21 min
	3 (režim vysokých otáčok)	Približne 15 min
	4 (režim maximálnych otáčok)	Približne 8 min
Celková dĺžka (s tyčou, hubicou a akumulátorom BL1830B)		1 106 mm
Menovité napätie		Jednosmerný prúd 18 V
Čistá hmotnosť		1,6 – 2,0 kg

- Vzhľadom k neustálemu výskumu a vývoju podliehajú technické údaje uvedené v tomto dokumente zmenám bez upozornenia.
- Technické údaje sa môžu pre rôzne krajiny líšiť.
- Hmotnosť nezahŕňa žiadne ďalšie príslušenstvo s výnimkou akumulátora. V tabuľke sa uvádzajú kombinácie najnižšej a najvyššej hmotnosti príslušenstva a akumulátora.

Použiteľné akumulátory a nabíjačky

Akumulátor	BL1815N / BL1820B / BL1830B / BL1840B / BL1850B / BL1860B
Nabíjačka	DC18RC / DC18RD / DC18RE / DC18SD / DC18SE / DC18SF / DC18SH / DC18WC

- Niektoré vyššie uvedené akumulátory a nabíjačky môžu byť nedostupné v závislosti od miesta vášho bydliska.

VAROVANIE: Používajte iba akumulátory a nabíjačky zo zoznamu uvedeného vyššie. Používanie akýchkoľvek iných akumulátorov a nabíjačiek môže spôsobiť zranenie a/alebo požiar.

Symbols

Nižšie sú uvedené symboly, ktoré sa môžu používať pri tomto nástroji. Je dôležité, aby ste poznali ich význam, skôr než začnete pracovať.



Typická batéria použiteľná pre tento produkt.



Prečítajte si návod na obsluhu.



Len pre štáty EÚ

Z dôvodu prítomnosti nebezpečných komponentov v zariadení môžu mať odpad z elektrických a elektronických zariadení, použité akumulátory a batérie negatívny vplyv na životné prostredie a ľudské zdravie.

Elektrické a elektronické zariadenia alebo akumulátory nelikvidujte spolu s komunálnym odpadom!

V súlade s európskou smernicou o odpade z elektrických a elektronických zariadení, o akumulátoroch a batériách a odpade z akumulátorov a batérií, ako aj v súlade s prispôbenými vnútroštátnymi právnymi predpismi by sa odpad z elektrických a elektronických zariadení a použité akumulátory a batérie mali uskladaňovať osobitne a odovzdávať na samostatnom zbernom mieste pre komunálny odpad, ktoré sa prevádzkuje v súlade s predpismi na ochranu životného prostredia.

Označuje to symbol preškrtnutej smetnej nádoby na zariadení.

Určené použitie

Tento nástroj je určený na vysávanie suchého prachu.

BEZPEČNOSTNÉ VAROVANIA

Bezpečnostné varovania pre akumulátorový vysávač

VAROVANIE: JE DÔLEŽITÉ, aby ste si PRED POUŽITÍM DÔKLADNE PREČÍTALI všetky varovania a pokyny. Nedodržavanie varovaní a pokynov môže mať za následok zasiahanutie elektrickým prúdom, požiar alebo vážne zranenie.

1. Nevystavujte dažďu. Skladujte v interiéri.
2. Nedovoľte, aby sa spotrebič používal ako hračka. Pokiaľ sa na mieste používania vyskytujú deti, je potrebné dávať veľký pozor.
3. Používajte len podľa pokynov v tomto návode. Používajte len doplnky schválené výrobcom.
4. Poškodený akumulátor nepoužívajte. Pokiaľ náradie nefunguje správnym spôsobom, spadlo, došlo k jeho poškodeniu, bolo ponechané vonku alebo spadlo do vody, odnesť ho do servisného strediska.
5. S náradím nemanipulujte mokrymi rukami.
6. Do otvorov nepchajte žiadne predmety. Náradie nepoužívajte, pokiaľ sú otvory zablokované. Chráňte pred prachom, vláknami, vlasmi a všetkým, čo môže znížiť prietok vzduchu.
7. Vlasy, voľný odev, prsty a všetky časti tela majte v dostatočnej vzdialenosti od otvorov a pohyblivých súčastí.
8. Pred vybratím akumulátora vypnite všetky ovládacie prvky.
9. Maximálnu pozornosť venujte vysávaniu na

schodoch.

10. **Nepoužívajte na vysávanie horľavých alebo zápalných kvapalín, napríklad benzín, ani nepoužívajte na miestach, kde sa tieto kvapaliny môžu vyskytovať.**
11. **Na nabíjanie používajte jedine nabíjačku dodanú výrobcom.**
12. **Nevysávajte nič, čo horí alebo dymí, napríklad cigarety, zápalky alebo horúci popol.**
13. **Nepoužívajte bez založeného vrecka na prach a filtrov.**
14. **Akumulátor nenabíjajte v exteriéri.**
15. **Nabíjajte iba nabíjačkou určenou výrobcom.** Nabíjačka vhodná pre jeden typ akumulátora môže pri inom type akumulátora spôsobiť riziko vzniku požiaru.
16. **Elektrické zariadenia používajte iba s určeným typom akumulátora.** Pri použití akýchkoľvek iných akumulátorových jednotiek vzniká riziko poranenia alebo požiaru.
17. **Keď sa akumulátor práve nepoužíva, skladujte ho v bezpečnej vzdialenosti od iných kovových predmetov, akými sú sponky, mince, kľúče, klince, skrutky alebo iné malé kovové predmety, ktoré by mohli kontakty akumulátora skratovať.**
18. **Pri nevhodných podmienkach môže z akumulátora vytekať kvapalina. Nedotýkajte sa jej. Pri náhodnom kontakte ju opláchnite vodou.**
19. **Nepoužívajte akumulátor alebo zariadenie, ktoré sú poškodené alebo upravované.** Fungovanie poškodených alebo upravovaných akumulátorov ľažko predvád' a môžu zapríčiniť požiar, výbuch alebo zranenie.
20. **Akumulátor ani zariadenie nevystavujte ohňu či nadmernej teplote.** Vystavenie ohňu alebo teploty nad 130 °C môže spôsobiť výbuch.
21. **Dodržiavajte všetky pokyny pre nabíjanie a akumulátor ani zariadenie nenabíjajte v prípade prekročenia teplotného rozsahu uvedeného v návode.** Nesprávne nabíjanie alebo nabíjanie pri teplotách mimo uvedeného rozsahu môže spôsobiť poškodenie akumulátora a zvýšiť riziko požiaru.

TIETO POKYNY USCHOVAJTE.

DĎALŠIE BEZPEČNOSTNÉ ZÁSADY

Toto zariadenie nie je určené na použitie v domácnosti.

1. **Pred použitím si pozorne prečítajte tento návod na obsluhu a návod na obsluhu nabíjačky.**
2. **Nevysávajte nasledujúce materiály:**
 - Horúce látky, ktoré horia alebo dymia (cigarety, zápalky, vonné tyčinky, sviečky, horúci popol), iskry a kovový prach tvorené pri rezaní alebo brúsení kovov atď.
 - Horľavé kvapaliny (petrolej, benzín, rozpúšťadlá, ako je technický benzín, riedidlo atď.)
 - Horľavé materiály (tonery, farby, spreje

atď.)

- Výbušné látky alebo pyrotechnika (nitroglycerín, hliník, horčík, titán, zinok, červený fosfor, žltý fosfor, celulóza atď. a ich prach, plyn alebo výpary)
 - Kvapaliny, olej, vlhká špina alebo mokré odpadky vrátane zvratkov a exkrementov
 - Tvrdé kusy s ostrými hranami (drevené triesky, kovy, kamene, sklo, klnice, špendlíky, žiletky alebo príbor)
 - Tvrdnúci a vodivý jemný prášok (kovový alebo uhlíkový prášok)
 - Penové čistiace prostriedky, napríklad čistiaci prostriedok na koberce atď. (môžu spôsobiť explóziu alebo požiar)
 - Veľké množstvá prášku (múka, práškový hasiaci prostriedok atď.)
 - Látky, ktoré spôsobujú príznaky otravy
 - Agresívne chemikálie (kyseliny, zásady atď.)
 - Jemný viažuci sa prášok, napríklad cement
 - Jemné častice, napríklad betónový prach
 - Sušiace prostriedky
 - Azbest
 - Pesticidy
- Takéto činnosti môžu zapríčiniť vznik požiaru, poranenie alebo škody na majetku. Na elimináciu expozície týmito chemikáliám vždy používajte schválenú ochranu dýchacích ciest, ako sú napríklad protiprachové masky, ktoré sú špeciálne navrhnuté na filtrovanie mikroskopických častíc. Vypúšťaný vzduch smerujte preč od tváre a tela.
3. Ak spozorujete niečo nezvyčajné, okamžite zastavte prácu.
 4. Ak vám vysávač spadne alebo ním narazíte, pred ďalším použitím pozorne skontrolujte, či na ňom nie sú praskliny alebo iné poškodenie.
 5. Nepribližujte sa ním k sporákom ani iným zdrojom tepla.
 6. Neblokujte vstupný otvor ani vetracie otvory.

TIETO POKYNY USCHOVAJTE.

Dôležité bezpečnostné a prevádzkové pokyny pre akumulátor

1. Pred použitím akumulátora si prečítajte všetky pokyny a výstažné označenia na (1) nabíjačke akumulátorov, (2) akumulátore a (3) produkte používajúcom akumulátor.
2. Akumulátor nerozoberajte ani neupravujte. Môže to viesť k požiaru, nadmernému teplu alebo výbuchu.
3. Ak sa doba prevádzky príliš skráti, ihneď prerušte prácu. Môže nastať riziko prehriatia, možných popálením či dokonca explózie.
4. V prípade zasiahnutia očí elektrolytom ich vypláchnite čistou vodou a okamžite vyhľadajte lekársku pomoc. Môže dôjsť k strate zraku.
5. Akumulátor neskratujte:
 - (1) Nedotýkajte sa konektorov žiadnym

vodivým materiálom.

- (2) Neskladujte akumulátor v obale s inými kovovými predmetmi, napríklad klíncami, mincami a pod.
- (3) Akumulátor nevystavujte vode ani dažďu. Skrat akumulátora môže spôsobiť veľký tok prúdu, prehriate, možné popáleniny či dokonca poruchu.
6. Nástroj ani akumulátor neskladujte a nepoužívajte na miestach s teplotou presahujúcou 50 °C (122 °F).
7. Akumulátor nespálujte, ani keď je vážne poškodený alebo úplne opotrebovaný. Akumulátor môže v ohni explodovať.
8. Akumulátor neprepichujte, neprehrádzajte, nedrverte, neháďte ani ho nenarúšajte údermi o tvrdé predmety. Môže to viesť k požiaru, nadmernému teplu alebo výbuchu.
9. Nepoužívajte poškodený akumulátor.
10. Litium-iónové akumulátory, ktoré sú súčasťou náradia, podliehajú požiadavkám legislatívy o nebezpečnom tovare.

V prípade obchodnej prepravy, napr. dodanie tretími stranami či špeditériami, sa musia dodržiavať špeciálne požiadavky na zabalenie a označenie. Pred prípravou položky na odoslanie sa vyžaduje konzultácia s odborníkom na nebezpečný materiál. Taktiež treba dodržiavať potenciálne podrobnejšie predpisy príslušnej krajiny. Prelepte alebo zakryte otvorené kontakty a zabaľte akumulátor tak, aby sa v balíku nemohol voľne pohybovať.
11. Akumulátor pri likvidácii odstráňte z nástroja a zlikvidujte ho na bezpečnom mieste. Akumulátor zlikvidujte v súlade s miestnymi nariadeniami.
12. Akumulátory používajte iba s výrobkami uvedenými spoločnosťou Makita. Inštalácia akumulátorov do nevyhovujúcich výrobkov môže spôsobiť požiar, nadmerné teplo, výbuch alebo únik elektrolytov.
13. Ak sa nástroj dlhší čas nepoužíva, odstráňte z neho akumulátor.
14. Akumulátor sa môže počas používania a po použití zohriať, čo môže spôsobiť popáleniny alebo popáleniny aj pri relatívne nízkej teplote. Pri manipulácii s horúcimi akumulátormi dávajte pozor.
15. Nedotýkajte sa svorky nástroja ihneď po použití, keďže sa mohla zohriať dostatočne na to, aby spôsobila popáleniny.
16. Zabráňte zachytávaniu triesok, prachu alebo zeminy na svorkách, otvoroch a drážkach akumulátora. Môže to spôsobiť zohriatie, požiar, výbuch a poruchu nástroja alebo akumulátora, v dôsledku čoho môže dôjsť k popáleniam alebo zraneniu osôb.
17. Pokiaľ nástroj nepodporuje používanie v blízkosti vysokonapäťových elektrických vedení, nepoužívajte akumulátor blízko vysokonapäťových elektrických vedení. Môže to viesť k nesprávnemu fungovaniu alebo poškodeniu nástroja alebo akumulátora.
18. Akumulátor držte mimo dosahu detí.

TIETO POKYNY USCHOVAJTE.

⚠️ POZOR: Používajte len originálne akumulátory od spoločnosti Makita. Používanie batérií, ktoré nie sú od spoločnosti Makita, alebo upravených batérií môže spôsobiť výbuch batérie a následný požiar, zranenie osôb alebo poškodeniu majetku. Následkom bude aj zrušenie záruky od spoločnosti Makita na nástroj a nabíjačku od spoločnosti Makita.

Rady na udržanie maximálnej životnosti akumulátora

1. Akumulátor nabite ešte predtým, ako sa úplne vybije. Vždy prerušte prácu s nástrojom a nabite akumulátor, keď spozorujete nižší výkon nástroja.
2. Nikdy nenabíjate plne nabitý akumulátor. Prebíjanie skracuje životnosť akumulátora.
3. Akumulátor nabíjajte pri izbovej teplote 10 °C – 40 °C (50 °F – 104 °F). Pred nabíjaním nechajte horúci akumulátor vychladnúť.
4. Keď akumulátor nepoužívate, vyberte ho z nástroja alebo nabíjačky.
5. Litium-iónový akumulátor nabite, ak ste ho nepoužívali dlhšie ako šesť mesiacov.

OPIS FUNKCIÍ

⚠️ POZOR: Pred úpravou alebo kontrolou funkčnosti nástroja vždy skontrolujte, či je nástroj vypnutý a akumulátor je vybrať.

⚠️ POZOR: Dávajte pozor, aby sa vám pri vkladaní akumulátora do vysávača do priestoru medzi nimi nedostali prsty. Zachytenie prstov v tomto priestore môže spôsobiť zranenie.

► Obr.1

Inštalácia alebo demontáž akumulátora

⚠️ POZOR: Pred inštaláciou alebo vybratím akumulátora nástroj vždy vypnite.

⚠️ POZOR: Pri inštalovaní a vyberaní akumulátora pevne uchopíte nástroj a akumulátor. Ak nástroj a akumulátor pevne neuchopíte, môže to mať za následok vyšmyknutie z vašich rúk s následkom poškodenia nástroja a akumulátora, ako aj osobných poranení.

Ak chcete vybrať akumulátor, vysuňte ho z nástroja, pričom posuňte tlačidlo na prednej strane akumulátora.

- Obr.2: 1. Červený indikátor 2. Tlačidlo 3. Akumulátor

Akumulátor vložíte tak, že jazýček akumulátora zarovnáte s drážkou v kryte a zasuniete ho na miesto. Zatlačte ho úplne, kým zakliknutím nezapadne na miesto. Ak vidíte červený indikátor, ako je znázornené na obrázku, nie je správne zaistený.

⚠️ POZOR: Akumulátor vždy nainštalujte úplne, až kým nie je vidieť červený indikátor. V opačnom prípade môže náhodne vypadnúť z nástroja a ublížiť vám alebo osobám v okolí.

⚠️ POZOR: Pri inštalovaní akumulátora nepoužívajte silu. Ak sa akumulátor nedá zasunúť ľahko, nevkladajte ho správne.

System na ochranu nástroja/akumulátora

Nástroj je vybavený systémom ochrany nástroja/akumulátora. Tento systém automaticky vypne napájanie motora s cieľom predĺžiť životnosť nástroja a akumulátora. Nástroj sa počas prevádzky automaticky zastaví v prípade, ak sa nástroj alebo akumulátor dostanú do jedného z nasledovných stavov.

Preťaženie:

Nástroj/akumulátor sa používa spôsobom, ktorý spôsobuje odber nadmerne vysokého prúdu.

V tejto situácii vypnite nástroj a ukončíte prácu, ktorá spôsobuje preťažovanie nástroja. Potom nástroj zapnute znovu spustíte.

Prehrievanie:

Prehriatie nástroja/akumulátora. V tejto situácii nechajte nástroj/akumulátor pred opätovným spustením vychladnúť.

Nízke napätie akumulátora:

Zostávajúca kapacita akumulátora je veľmi nízka a nástroj nebude fungovať. V tejto situácii akumulátor vyberte a nabite ho.

Ochrana pred ďalšími nebezpečenstvami:

Systém ochrany bol navrhnutý tak, aby chránil aj pred ďalšími nebezpečenstvami, ktoré by mohli poškodiť nástroj, a zaisťuje automatické zastavenie nástroja. Ak sa nástroj dočasne zastavil alebo prerušil prevádzku, problém vyriešte vykonaním nasledujúcich krokov.

1. Reštartujte nástroj tak, že ho vypnete a potom znova zapnete.
2. Nabite akumulátory alebo ich vymeňte za nabité akumulátory.
3. Nechajte nástroj aj akumulátory vychladnúť.





Ak po obnovení systému ochrany nedošlo k zlepšeniu stavu, obráťte sa na miestne servisné stredisko spoločnosti Makita.

Indikácia zvyšnej kapacity akumulátora

Len na akumulátory s indikátorom

Stlačením tlačidla kontroly na akumulátore zobrazíte zostávajúcu kapacitu akumulátora. Indikátory sa na niekoľko sekúnd rozsvietia.

- Obr.3: 1. Indikátory 2. Tlačidlo kontroly

Indikátory			Zostávajúca kapacita
 Svieti	 Nesvieti	 Bliká	
			75 % až 100 %

Indikátory			Zostávajúca kapacita
Svieti	Nesvieti	Bliká	
			50 % až 75 %
			25 % až 50 %
			0 % až 25 %
			Akumulátor nabíje.
			Akumulátor je možno chybný.

POZNÁMKA: V závislosti od podmienok používania a v závislosti od okolitej teploty sa môže zobrazenie mierne odlišovať od skutočnej kapacity.

POZNÁMKA: Prvý (úplne vľavo) svetelný indikátor bude blikať, keď systém ochrany akumulátora funguje.

Zapínanie

► **Obr.4:** 1. Tlačidlo zmeny sacieho výkonu 2. Tlačidlo ON/OFF (ZAPNÚŤ/VYPNÚŤ)

Vysávač sa spúšťa jednoduchým stlačením tlačidla ON/OFF (ZAPNÚŤ/VYPNÚŤ). Na vypnutie znova stlačte tlačidlo ON/OFF (ZAPNÚŤ/VYPNÚŤ).

Sací výkon vysávača môžete meniť v štyroch krokoch stlačením tlačidla zmeny sacieho výkonu. Každým

stlačením tohto tlačidla sa budú opakovane prepínať Tichý režim/Normálny režim/Režim vysokých otáčok/Režim maximálnych otáčok.

Úroveň	Indikácia	Režim
1		Tichý režim
2		Režim normálnych otáčok
3		Režim vysokých otáčok
4		Režim maximálnych otáčok

POZNÁMKA: Sací výkon môžete zmeniť ešte pred zapnutím vysávača.

POZNÁMKA: Vysávač sa spustí do prevádzky s rovnakým sacím výkonom ako pri poslednom použití.

Rozsvietenie kontrolky

▲POZOR: Nedívejte sa priamo do svetla ani jeho zdroja.

Na zapnutie svetelného indikátora stlačte tlačidlo zmeny sacieho výkonu. Svetelný indikátor zhasne asi po 10 sekundách.

Svetelný indikátor svieti, kým je vysávač v prevádzke. Svetelný indikátor zhasne asi 10 sekúnd po vypnutí.

POZNÁMKA: Ak je zostávajúca kapacita akumulátora nízka, svetelný indikátor začne blikať. Čas, kedy začne svetelný indikátor blikať, závisí od teploty na pracovisku a od stavu akumulátora.

► **Obr.5:** 1. Tlačidlo zmeny sacieho výkonu 2. Tlačidlo ON/OFF (ZAPNÚŤ/VYPNÚŤ) 3. Lampa

POPIS SÚČASTÍ

► **Obr.6**

1	Nádoba na prach 250 ml (voliteľné príslušenstvo)	2	Nádoba na prach 400 ml (voliteľné príslušenstvo)	3	Sitkový filter	4	Hlavná časť cyklónovej jednotky
5	Vysokovýkonný filter (rám filtra v sivej farbe) (voliteľné príslušenstvo)	6	Filter HEPA (rám filtra v bielej farbe) (voliteľné príslušenstvo)	7	Penová vložka	8	Hlavná časť vysávača
9	Popruh na ruku (v závislosti od krajiny)	-	-	-	-	-	-

ZOSTAVENIE

▲POZOR: Pred vykonaním akejkoľvek práce na nástroji vždy skontrolujte, či je nástroj vypnutý a akumulátor je vybratý.

▲POZOR: Správne pripojte filtre k vysávaču. Deravé alebo nesprávne upevnené filtre môžu umožňovať vnikanie prachu do krytu motora. Môže to spôsobiť poruchu motora alebo požiar.

UPOZORNENIE: Pred použitím sa uistite, že sú všetky nadstavce a komponenty správne zaistené na svojom mieste.

Montáž a demontáž nastavcov vysávača

▲POZOR: Po inštalácii nastavcov skontrolujte, či sú pevne uchytené. Ak nastavce nie sú správne nainštalované, môžu sa uvoľniť a spôsobiť poranenie.

▲POZOR: Pri demontáži nastavcov dávajte pozor, aby ste si neuderili ruku o stenu a pod.

Pri používaní nastavca s funkciou zaistenia

Nadstavec vkladajte cez nasávací otvor vysávača, kým nezacvakne. Uistite sa, že je nadstavec zaistený.

► **Obr.7:** 1. Nasávací otvor 2. Nadstavec s funkciou zaistenia 3. Háčik 4. Uvoľňovacie tlačidlo

UPOZORNENIE: Pri vkladaní nastavca s funkciou zaistenia zarovnajete uvoľňovacie tlačidlo na vysávači s háčikom na nastavci. Ak nie sú zarovnané, nadstavec sa nezaistí a môže sa uvoľniť z vysávača.

Ak chcete nadstavec odstrániť, stlačte a podržte ramena uvoľňovacieho tlačidla a odpojte ho od vysávača.

► **Obr.8:** 1. Uvoľňovacie tlačidlo 2. Rameno uvoľňovacieho tlačidla 3. Nadstavec s funkciou zaistenia 4. Nasávací otvor

Pri používaní nastavca bez funkcie zaistenia

UPOZORNENIE: Ak chcete nainštalovať nadstavec bez funkcie zaistenia, vložte ho do nasávacieho otvoru vysávača otočením tak, ako je znázornené na obrázku. Ak chcete nadstavec odpojiť, odpojte ho od vysávača otočením tak, ako je znázornené na obrázku. Nadstavec neotáčajte v opačnom smere ako je šípka na obrázku, pretože môže dôjsť k uvoľneniu cyklónovej jednotky.

► **Obr.9**

PREVÁDZKA

▲POZOR: Pri práci s vysávačom sa nepribližujte tvárou k vetracím otvorom. Ak sa fúknu do očí cudzie predmety, môže to spôsobiť zranenie.

UPOZORNENIE: Vysávač nepoužívajte v horizontálnej polohe ani v polohe smerujúcej nahor. V opačnom prípade sa môže upchať sitkový filter.

UPOZORNENIE: Vysávač používajte vždy s nainštalovanými filtermi. Používanie vysávača bez filtrov môže spôsobiť poruchu motora.

UPOZORNENIE: Po nahromadení prachu vyprázdňte nádobu na prach v cyklónovej jednotke. Ďalšie používanie spôsobí zníženie sacieho výkonu.

Cyklónová jednotka pomáha znižovať množstvo prachu, ktoré sa dostáva do vysávača, čím sa zvyšuje sací výkon a umožňuje jednoduchú a nenáročnú likvidáciu prachu.

Čistenie (vysávanie)

Hubica

Len s nádobou na prach s objemom 250 ml

Nasaďte hubicu, keď chcete čistiť stoly, pracovné stoly, nábytok a pod. Hubica sa ľahko nasáva.

► **Obr.10:** 1. Hubica

Hubica + predĺžovacia tyč (rovná trubica)

Predĺžovacia tyč sa vkladá medzi hubicu a samotný vysávač. Toto usporiadanie je praktické pri vysávaní podlahy postojacky.

► **Obr.11:** 1. Hlavná časť vysávača 2. Predĺžovacia tyč (rovná trubica) 3. Hubica

Štrbinová hubica

Nasaďte štrbinovú hubicu, keď chcete vysávať v rohoch a štrbinách v aute alebo na nábytku.

► **Obr.12:** 1. Štrbinová hubica 2. Hlavná časť vysávača

Štrbinovú hubicu môžete uložiť do držiaka na hubicu.

► **Obr.13:** 1. Držiak na hubicu 2. Štrbinová hubica

▲POZOR: Dávajte pozor, aby ste si nepricvikli prsty medzi štrbinovú hubicu a držiak na hubicu. Zachytenie prstov v tomto priestore môže spôsobiť zranenie.

Štrbinová hubica + predĺžovacia tyč (rovná trubica)

Toto usporiadanie použite v tesných rohoch, kam sa samotný vysávač nepretlačí, alebo na vysokých ťažko dosiahnuteľných miestach.

► **Obr.14:** 1. Štrbinová hubica 2. Predĺžovacia tyč (rovná trubica) 3. Hlavná časť vysávača

Vysávanie bez hubice

Len s nádobou na prach s objemom 250 ml

Prášok a prach môžete vysávať aj bez hubice.

► **Obr.15**

Na vysávanie podlahy postojacky je pohodlné pripojiť k vysávaču predĺžovaciu tyč.

► **Obr.16:** 1. Predĺžovacia tyč (rovná trubica)

Vyprázdenie prachu

⚠️ POZOR: Vysávač vyprázdňte ešte pred úplným zaplnením, inak dôjde k zníženiu sacieho výkonu.

⚠️ POZOR: Pri opätovnej montáži dávajte pozor, aby ste nepricvikli prsty medzi nádobu na prach a hlavnú časť cyklónovej jednotky.

Nahromadený prach zlikvidujte nasledujúcim spôsobom skôr, ako prekročí hranicu na likvidáciu prachu.

1. Nasmerujte hlavu vysávača smerom nadol, pevne uchopte nádobu na prach a potom ju oddelte od hlavnej časti cyklónovej jednotky, pričom stlačte a podržte uvoľňovacie tlačidlá na oboch stranách nádoby na prach.

► **Obr.17:** 1. Hranica na likvidáciu prachu 2. Nádoba na prach 3. Uvoľňovacie tlačidlá 4. Sitkový filter

2. Vyprázdňte nádobu na prach a odstráňte zachytený prach zo sitkového filtra.

► **Obr.18**

3. Nádobu na prach nasadte späť na hlavnú časť cyklónovej jednotky a zaistite ju na mieste zacvaknutím.

► **Obr.19:** 1. Nádoba na prach 2. Uvoľňovacie tlačidlá 3. Hlavná časť cyklónovej jednotky

⚠️ POZOR: Prach sa môže pri vyprázdňovaní nádoby na prach rozptýliť do okolia. Dávajte pozor, aby sa vám prach nedostal do očí.

UPOZORNENIE: Keď sa nádoba na prach znečistí, odpojte ju a umyte vodou. Pred opätovnou montážou a použitím nádoby na prach dôkladne vysušte.

UPOZORNENIE: Pred použitím sa uistite, že sú všetky nadstavce a komponenty správne zaistené na svojom mieste.

UPOZORNENIE: Ak sa sací výkon neobnoví ani po vyprázdnení prachu a vyčistení sitkového filtra, skontrolujte, či sa nenahromadil prach vnútri hlavnej časti cyklónovej jednotky alebo či nedošlo k upchatiu.

ÚDRŽBA

⚠️ POZOR: Pred vykonaním kontroly alebo údržby vždy skontrolujte, či je nástroj vypnutý a akumulátor je vybratý.

⚠️ POZOR: Správne pripojte filtre k vysávaču. Deravé alebo nesprávne upevnené filtre môžu umožňovať vnikanie prachu do krytu motora. Môže to spôsobiť poruchu motora alebo požiar.

UPOZORNENIE: Nepoužívajte benzín, riedidlo, alkohol ani podobné látky. Mohlo by to spôsobiť zmenu farby, deformácie alebo praskliny.

Ak chcete udržať BEZPEČNOSŤ a BEZPORUCHOVOSŤ výrobku, prenechajte opravy, údržbu a nastavenie na autorizované alebo továrenské

servisné centrá Makita, ktoré používajú len náhradné diely značky Makita.

Po použití

⚠️ POZOR: Ak vysávač opriete o stenu bez akejkoľvek inej podpory, môže vysávač spadnúť, v dôsledku čoho môže dôjsť k zraneniu osôb alebo poškodeniu vysávača.

► **Obr.20**

Pravidelná údržba

UPOZORNENIE: Keď sa filtre v cyklónovej jednotke upchajú, vyčistite ich. Ďalšie používanie v upchatom stave môže spôsobiť nadmerné zohriatie alebo poruchu motora.

UPOZORNENIE: Neodfukujte prach usadený na vysávači pomocou odfukovača vzduchu. Spôsobí to vniknutie prachu do krytu a môže dôjsť k poruche.

Na obnovenie normálneho prevádzkového stavu je potrebná bežná údržba.

Hlavná časť vysávača

Utrite vonkajšiu časť (hlavnú časť) vysávača handričkou navlhčenou v mydlovej vode a vyčistite sacie otvory.

► **Obr.21**

Cyklónová jednotka a filtre

UPOZORNENIE: Keď sa sací výkon zníži bez ohľadu na množstvo prachu zachyteného v nádobe na prach, vytraste prach a vyčistite vnútro cyklónovej jednotky a filtra.

UPOZORNENIE: Pred ďalším použitím umyté filtre dôkladne vysušte. Nedostatočne vysušené filtre môžu zapríčiniť slabý výkon nasávania a skrátiť životnosť motora.

UPOZORNENIE: Filtre a penovú vložku po vyčistení nezabudnite pred použitím nainštalovať späť. Ak použijete vysávač bez filtrov a penovej vložky, prach sa dostane do krytu motora a spôsobí poruchu.

Cyklónová jednotka

1. Niekoľkokrát poklepte rukou na cyklónovú jednotku, aby ste odstránili prach zachytený na vnútornom povrchu cyklónovej jednotky a filtra.

► **Obr.22:** 1. Cyklónová jednotka

2. S nasávacím otvorom smerujúcim nadol otočte cyklónovú jednotku tak, ako je znázornené na obrázku, a zarovnajete ukazovateľ na hlavnej časti vysávača, aby ste uvoľnili poistku. Potom pomaly a rovno odpojte cyklónovú jednotku od hlavnej časti vysávača.

► **Obr.23:** 1. Cyklónová jednotka 2. Nasávací otvor 3. Ukazovateľ 4. Filter

POZNÁMKA: Pri demontáži cyklónovej jednotky môže vyletovať prach. Pod cyklónovú jednotku sa odporúča umiestniť vreca na odpad.

3. Vytraste prach z vnútra cyklónovej jednotky a filtra.

► **Obr.24**

4. Cyklónovú jednotku nasadíte späť na hlavnú časť vysávača a zarovnajete ukazovateľ na cyklónovej jednotke s ukazovateľom na hlavnej časti vysávača. Potom otočíte cyklónovú jednotku tak, ako je znázornené na obrázku, kým nie je zaistená na svojom mieste.

► **Obr.25:** 1. Cyklónová jednotka 2. Hlavná časť vysávača 3. Ukazovatele

Vysokovýkonný filter

Voliteľné príslušenstvo

1. Demontujte cyklónovú jednotku z hlavnej časti vysávača.

2. Držte montážny koniec vysokovýkonného filtra a potiahnutím ho oddelíte od hlavnej časti vysávača.

► **Obr.26:** 1. Vysokovýkonný filter 2. Hlavná časť vysávača

3. Vysokoúčinný filter utrite rukou a vytraste z neho prach.

► **Obr.27**

4. Keď je vysokovýkonný filter upchatý prachom a nečistotami, umyte ho v mydlovej vode. Pred použitím ho dôkladne vysušte v tieni.

► **Obr.28**

POZNÁMKA: Vysokovýkonný filter pri sušení nevyšajte za koniec nastavca (gumový tesniaci krúžok).

5. Držte montážny koniec vysokovýkonného filtra a zatlačte ho späť do hlavnej časti vysávača.

► **Obr.29:** 1. Vysokovýkonný filter 2. Hlavná časť vysávača

Filter HEPA

Voliteľné príslušenstvo

UPOZORNENIE: Po HEPA filtri nešúchajte ani neškriabte tvrdými predmetmi, ako sú kefka a škrabka.

1. Demontujte cyklónovú jednotku z hlavnej časti vysávača.

2. Držte montážny koniec filtra HEPA (zakrytý vysokovýkonným predfiltrom) a oddelíte ho od hlavnej časti vysávača.

► **Obr.30:** 1. Filter HEPA (zakrytý vysokovýkonným predfiltrom) 2. Hlavná časť vysávača

3. Vysokoúčinný predfilter demontujte z filtra HEPA tak, že ho vykrútíte rukou.

► **Obr.31:** 1. Vysokovýkonný predfilter 2. Filter HEPA

4. Vysokoúčinný predfilter a filter HEPA utrite rukou a vytraste z neho prach.

► **Obr.32**

5. Vysokoúčinný predfilter a filter HEPA umyte v mydlovej vode. Pred použitím ich dôkladne opláchnite a vysušte v tieni.

► **Obr.33**

POZNÁMKA: Filter HEPA pri sušení nevyšajte za koniec nastavca (gumový tesniaci krúžok).

6. Na filter HEPA pripevníte vysokovýkonný predfilter.
► **Obr.34:** 1. Vysokovýkonný predfilter 2. Filter HEPA

7. Držte montážny koniec filtra HEPA (zakrytý vysokovýkonným predfiltrom) a zatlačte ho späť do hlavnej časti vysávača.

► **Obr.35:** 1. Filter HEPA (zakrytý vysokovýkonným predfiltrom) 2. Hlavná časť vysávača

Penová vložka

1. Demontujte cyklónovú jednotku z hlavnej časti vysávača.

2. Držte montážny koniec filtra a potiahnutím ho oddelíte od hlavnej časti vysávača.

► **Obr.36:** 1. Filter 2. Hlavná časť vysávača

3. Vytiahnite penovú vložku zo sacieho otvoru.

► **Obr.37:** 1. Penová vložka 2. Sací otvor

4. Rukou utrite a vytraste prach z penovej vložky.

► **Obr.38**

5. Keď je penová vložka upchatá prachom a nečistotami, umyte ju v mydlovej vode. Pred použitím ju dôkladne vysušte v tieni.

► **Obr.39**

6. Umiestnite penovú vložku späť do pôvodnej polohy. Uistite sa, že ľavý aj pravý okraj penovej vložky je zaistený zarážkou a medzi penovou vložkou a sacím otvorom nie je žiadna medzera.

► **Obr.40:** 1. Penová vložka 2. Zarážka 3. Sací otvor

7. Držte montážny koniec filtra a zatlačte ho späť do hlavnej časti vysávača.

► **Obr.41:** 1. Filter 2. Hlavná časť vysávača

Údržba podľa stavu

UPOZORNENIE: Keď sa sitkový filter v cyklónovej jednotke upchá, vyčistite ho. Ďalšie používanie v upchatom stave môže spôsobiť nadmerné zohriatie alebo poruchu motora.

Hĺbkové a bodové čistenie je potrebné vykonávať v závislosti od výkonu nástroja.

Sitkový filter

Keď sa znečistí nádoba na prach alebo sa upchá sitkový filter, vyberte ich a umyte vo vode. (Postup pri vyberaní nájdete v časti „Vyprázdnenie prachu“.)

1. Pevne držte nádobu na prach a oddelíte ju od hlavnej časti cyklónovej jednotky, pričom stlačíte a podržte uvoľňovacie tlačidlá na oboch stranách nádoby na prach.

► **Obr.42:** 1. Nádoba na prach 2. Hlavná časť cyklónovej jednotky 3. Uvoľňovacie tlačidlá

2. Otočíte sitkový filter tak, ako je znázornené na obrázku, aby ste uvoľnili poistku. Potom ho odpojte od hlavnej časti cyklónovej jednotky.

► **Obr.43:** 1. Sitkový filter

3. Sitkový filter demontujte na tri komponenty: predfilter, rúrkový penový filter a sitkovú trubicu.

i Stlačte vodiace zarážky na hornej časti sitkovej trubice k sebe.

ii Vodiace zarážky prestrčte dole cez vodiaci otvor v hornej časti predfiltra.

iii Vytiahnite predfilter pozdĺž rúrkového penového filtra a sitkovej trubice.

iv Odstráňte rúrkový penový filter zo sitkovej trubice.

- **Obr.44:** 1. Predfilter 2. Rúrkový penový filter
3. Sitková trubica 4. Vodiace zarážky
5. Vodiaci otvor

4. Rukou utrite a vytraste prach z filtrov a sitkovej trubice.

► **Obr.45**

5. Keď sú filtre a sitková trubica upchaté prachom a nečistotami, umyte ich v mydlovej vode. Pred použitím ich dôkladne vysušte v tieni.

► **Obr.46**

6. Znova zložte sitkový filter.

i Vložte rúrkový penový filter do predfiltra.

ii Vložte sitkovú trubicu do rúrkového penového filtra a predfiltra, pričom vodiace zarážky na hornej časti sitkovej trubice prestrčte cez vodiaci otvor na hornej časti predfiltra.

iii Zatiačte sitkovú trubicu cez rúrkový penový filter a predfilter, kým sa nezacvakne na mieste.

- **Obr.47:** 1. Predfilter 2. Rúrkový penový filter
3. Sitková trubica 4. Vodiace zarážky
5. Vodiaci otvor

7. Nasadte sitkový filter späť do hlavnej časti cyklónovej jednotky a zarovnajte háky na sitkovom filtri s otvormi na výstupe nasávania hlavnej časti cyklónovej jednotky. Otáčajte sitkovým filtrom tak, ako je znázornené na obrázku, kým sa háky s cvaknutím nezaistia. Uistite sa, že je sitkový filter bezpečne nainštalovaný.

- **Obr.48:** 1. Sitkový filter 2. Hlavná časť cyklónovej jednotky 3. Hák 4. Otvor

Vzduchové kanály v cyklónovej jednotke

Prichádzajúce cudzie látky môžu zablokovať vzduchové kanály v cyklónovej jednotke a prúdenie zaťaženého vzduchu. Ak je sací výkon výrazne ovplyvnený, odstráňte všetky prekážky v ceste vzduchu.

1. Demontujte cyklónovú jednotku na tri komponenty: nádoba na prach, sitkový filter a hlavná časť cyklónovej jednotky.

- **Obr.49:** 1. Nádoba na prach 2. Sitkový filter
3. Hlavná časť cyklónovej jednotky
4. Hlavná časť vysávača

2. Pomocou ručného nástroja s hrotom zatlačte a podržte vodiacu zarážku na prívodnej trubici dolu cez uzamykací otvor na hlavnej časti cyklónovej jednotky. Potom odpojte prívodnú trubicu od hlavnej časti cyklónovej jednotky.

- **Obr.50:** 1. Prívodná trubica 2. Vodiaca zarážka
3. Hlavná časť cyklónovej jednotky
4. Uzamykací otvor

3. Vyčistíte všetky látky nachádzajúce sa vo vzduchových kanáloch.

Cudzie látky pravdepodobne uviaznu v okolí vstupného vzduchového otvoru.

- **Obr.51:** 1. Nasávací otvor 2. Vstupný vzduchový otvor

4. Zasuňte prívodnú trubicu späť na miesto, kým sa bezpečne nezaistí.

- **Obr.52:** 1. Prívodná trubica 2. Hlavná časť cyklónovej jednotky 3. O-kružok 4. Klapka

UPOZORNENIE: Pred opätovnou montážou sa uistite, že O-kružok a klapka sú bezpečne na svojom mieste. Ak sa cyklónová jednotka používa bez O-kružku a klapky, môže to mať vplyv na sací výkon.

5. Znova zložte cyklónovú jednotku a pripevnite ju na hlavnú časť vysávača.

Riešenie problémov

Pred žiadosťou o opravu skontrolujte nasledujúce body.

Príznak	Čo treba pozrieť	Spôsob nápravy
Slabý sací výkon	Je nádoba na prach alebo vnútro cyklónovej jednotky plné prachu?	Vyprázdniť nádobu na prach alebo vnútro cyklónovej jednotky.
	Sú filtre upchaté?	Vyprášte alebo umyte vysokoúčinný filter/filter HEPA/penovú vložku/sitkový filter.
	Blokuje niečo vstupné vzduchové kanály?	Vyčistíte vzduchové otvory a kanály od prachu a predmetov.
	Je akumulátor vybitý?	Nabite akumulátor.
Nefunguje	Je akumulátor vybitý?	Nabite akumulátor.
Hluk a vibrácie	Sú filtre upchaté?	Vyprášte alebo umyte vysokoúčinný filter/filter HEPA/penovú vložku/sitkový filter.
	Blokuje niečo otvory?	Odstráňte prach a cudzie predmety z hubíc, trubíc a vzduchových otvorov.
	Je nasávací otvor hubice alebo trubice zatvorený?	Odkryte a otvorte nasávací otvor hubice a trubice.

▲POZOR: Opravu sa nepokúšajte vykonať sami.

VOLITEĽNÉ PRÍSLUŠENSTVO

⚠ POZOR: Pre váš nástroj Makita, opísaný v tomto návode, doporučujeme používať toto príslušenstvo a nástavce. Pri použití iného príslušenstva či nástavcov môže hroziť nebezpečenstvo zranenia osôb. Príslušenstvo a nástavce sa môžu používať len na účely pre ne stanovené.

Ak potrebujete bližšie informácie týkajúce sa tohoto príslušenstva, obráťte sa na vaše miestne servisné stredisko firmy Makita.

- Predlžovacia tyč (rovná trubica)
- Hubica
- Hubica na vysávanie kobercov
- Keška na vysávanie políc
- Štrbinová hubica
- Okrúhla keška
- Ohybná hadica
- Vysokovýkonný filter
- Filter HEPA
- Hubica na čalúnenie
- Štrbinová hubica
- Cyklónová jednotka
- Taška na náradie
- Originálna batéria a nabíjačka Makita

POZNÁMKA: Niektoré položky zo zoznamu môžu byť súčasťou balenia nástrojov vo forme štandardného príslušenstva. Rozsah týchto položiek môže byť v každej krajine odlišný.

VAROVÁNÍ

- Zařízení mohou používat děti od 8 let a osoby s omezenými fyzickými, smyslovými či duševními schopnostmi nebo s nedostatečnými zkušenostmi a znalostmi, jestliže jsou pod dohledem nebo pokud byly poučeny ohledně bezpečného používání výrobku a rozumí souvisejícím rizikům.
- Nedovoďte dětem, aby si se zařízením hrály. Čištění a uživatelskou údržbu nesmí provádět děti bez dozoru.
- Referenční typ akumulátoru naleznete v kapitole „SPECIFIKACE“.
- Postup sejmutí a nasazení akumulátoru naleznete v části „Nasazení a sejmutí akumulátoru“.
- Při likvidaci akumulátoru jej vyjměte z nářadí a zlikvidujte jej na bezpečném místě. Při likvidaci akumulátoru postupujte podle místních předpisů.
- Pokud nářadí delší dobu nepoužíváte, je nutné z něj akumulátor vyjmout.
- Akumulátor nezkratujte.
- Příslušné podrobnosti o opatřeních během uživatelské údržby viz kapitola „ÚDRŽBA“.

SPECIFIKACE

Model:		DCL286F
Kapacita		250 ml / 400 ml (specifické podle země)
Opakované použití (s akumulátorem BL1830B)	1 (tichý režim)	Přibl. 38 min
	2 (režim normálních otáček)	Přibl. 21 min
	3 (režim vysokých otáček)	Přibl. 15 min
	4 (režim maximálních otáček)	Přibl. 8 min
Celková délka (s trubicí, hubicí a akumulátorem BL1830B)		1 106 mm
Jmenovité napětí		18 V DC
Čistá hmotnost		1,6–2,0 kg

- Vzhledem k neustálému výzkumu a vývoji zde uvedené technické údaje podléhají změnám bez upozornění.
- Specifikace se mohou pro různé země lišit.
- Uvedená hmotnost nezahrnuje příslušenství kromě akumulátorů. Tabulka uvádí nejlehčí a nejtěžší kombinace zařízení a akumulátorů.

Použitelný akumulátor a nabíječka

Akumulátor	BL1815N / BL1820B / BL1830B / BL1840B / BL1850B / BL1860B
Nabíječka	DC18RC / DC18RD / DC18RE / DC18SD / DC18SE / DC18SF / DC18SH / DC18WC

- V závislosti na regionu vašeho bydliště nemusí být některé akumulátory a nabíječky k dispozici.

VAROVÁNÍ: Používejte pouze výše uvedené akumulátory a nabíječky. Použití jiných akumulátorů a nabíječek může způsobit zranění a/nebo požár.

Symbols

Níže jsou uvedeny symboly, se kterými se můžete při použití nářadí setkat. Je důležité, abyste dříve, než s ním začnete pracovat, pochopili jejich význam.



Přečtěte si návod k obsluze.



V tomto výrobku je použit reprezentativní akumulátor.





Pouze pro země EU
Z důvodu přítomnosti nebezpečných součástí v zařízení mohou odpadní elektrické a elektronické zařízení, akumulátory a baterie negativně ovlivnit životní prostředí a lidské zdraví.

Elektrické a elektronické spotřebiče ani akumulátory nevyhazujte do domovního odpadu!

V souladu s evropskou směrnicí o odpadních elektrických a elektronických zařízeních, akumulátorech a bateriích a odpadních akumulátorech a bateriích, stejně jako jejím přížposobením ve vnitrostátním právu, by odpadní elektrická zařízení, baterie a akumulátory měly být uchovávány odděleně a měly by být odevzdávány na vyhrazeném sběrném místě komunálního odpadu, které je provozováno v souladu s předpisy na ochranu životního prostředí. Toto je označeno symbolem přeškrtnuté popelnice na kolečkách, který je umístěn na zařízení.

Účel použití

Nástroj je určen k vysávání suchého prachu.

BEZPEČNOSTNÍ VÝSTRAHY

Bezpečnostní varování k akumulátorovému vysavači

VAROVÁNÍ: DŮLEŽITÉ: PŘED POUŽITÍM SI POZORNĚ PŘEČTĚTE veškeré bezpečnostní výstrahy a všechny pokyny. Zanedbání výstrah a pokynů může mít za následek úraz elektrickým proudem, vznik požáru nebo vážné zranění.

1. Nevystavujte zařízení dešti. Skladujte ve vnitřních prostorách.
2. Nedovoďte, aby si se zařízením hrály děti. Při používání dětmi nebo v jejich blízkosti je vyžadována zvýšená pozornost.
3. Se zařízením pracujte pouze v souladu s touto příručkou. Používejte pouze nástavce doporučené výrobcem.
4. Přístroj nepoužívejte s poškozeným akumulátorem. Jestliže zařízení nepracuje správně, upadlo, bylo poškozeno, ponecháno venku nebo spadlo do vody, předejte je k opravě v servisním středisku.
5. Se zařízením nemanipulujte mokřými rukama.
6. Nevkládejte žádné předměty do otvorů. S vysavačem nepracujte, pokud je nějaký otvor zablokován – otvory udržujte v čistotě od prachu, chuchvalců, vlasů a všech nečistot, jež by mohly bránit průchodu vzduchu.
7. Vlasy, volný oděv, prsty a žádné části těla nepřibližujte k otvorům a pohyblivým částem.
8. Před vyjmutím akumulátoru vypněte všechny ovládací prvky.
9. Zvláště opatrní buďte při práci na schodech.

10. **Přístroj nepoužívejte k vysávání hořlavých či zápalných kapalin, například benzínu, a nepracujte v místech, kde se tyto látky mohou vyskytovat.**
11. **K nabíjení používejte pouze nabíječku doporučenou výrobcem.**
12. **Nevysávejte nic hořícího či doutnajícího, například cigarety, zápalky ani horký popel.**
13. **Nepoužívejte bez vaku na prach nebo filtrů.**
14. **Nenabíjejte akumulátor venku.**
15. **Nabíjení provádějte pouze pomocí nabíječky určené výrobcem.** Nabíječka vhodná pro jeden typ akumulátoru může při použití s jiným akumulátorem vést ke vzniku nebezpečí požáru.
16. **Zařízení používejte pouze s určenými akumulátory.** Použití jiných akumulátorů může vyvolat nebezpečí zranění a požáru.
17. **Není-li akumulátor používán, uložte jej v místě bez kovových předmětů, jimiž jsou například kancelářské sponky, mince, klíče, hřebíky, šrouby či jiné drobné kovové předměty, jež by mohly spojit kontakty.**
18. **Při hrubém zacházení může z akumulátoru uniknout elektrolyt. Vyvarujte se styku s ním. Pokud dojde k náhodnému kontaktu, omyjte zasažené místo vodou.**
19. **Nepoužívejte poškozený nebo upravený akumulátor nebo zařízení.** U poškozených nebo upravených akumulátorů může dojít k neočekávanému chování, které může mít za následek požár, výbuch nebo riziko poranění.
20. **Akumulátor nebo zařízení nevystavujte ohni ani nadměrným teplotám.** Při vystavení žáru ohně nebo teplotám nad 130 °C může dojít k výbuchu.
21. **Postupujte dle pokynů pro nabíjení a akumulátor nebo zařízení nenabíjejte mimo teplotní rozsah specifikovaný v pokynech.** Nesprávné nabíjení při teplotách mimo stanovený rozsah může poškodit akumulátor a zvýšit riziko požáru.

TYTO POKYNY USCHOVEJTE.

DOPLŇKOVÁ BEZPEČNOSTNÍ PRAVIDLA

Toto zařízení je určeno k použití v domácnosti.

1. Před použitím si pozorně přečtete tento návod k obsluze a návod k obsluze nabíječky.
2. Nevysávejte následující materiály:
 - Horké látky, které hoří nebo kouří (cigarety, zápalky, vonné tyčinky, svíčky, horký popel), jiskry a kovový prach vznikající při řezání nebo broušení kovu atd.
 - Hořlavá kapalina (petrolej, benzín, rozpouštědla jako technický benzín, ředidla atd.)
 - Hořlavý materiál (tónovač, barva, sprej atd.)
 - Výbušné nebo samozápalné látky (nitroglycerin, hliník, hořčík, titan, zinek, červený fosfor, žlutý fosfor, celulozid atd. a jejich prach, plyn nebo pára)
 - Tekutina, olej, mokrá špína nebo vlhké

odpadky, včetně zvratků a exkrementů

- Tvrdé střepy s ostrými hranami, (dřevěné třísky, kovové, kamenné a skleněné odstěpky, hřebíky, špendlíky, holicí čepelky nebo přibory)
- Tuhnoucí a vodivý jemný prášek (kovový nebo uhlikový prášek)
- Pěna jako prostředek na čištění koberců atd. (mohou způsobit výbuch nebo požár)
- Velké množství práškových hmot (mouka, prášek do hasicích přístrojů atd.)
- Látky způsobující toxické příznaky
- Agresivní chemikálie (kyseliny, zásady atd.)
- Jemný pojicí prášek, např. cement
- Jemné částice, například betonový prach
- Vysoušedla
- Azbest
- Pesticidy

Takový postup může způsobit požár, zranění či škody na majetku.

Chcete-li omezit vystavení se těmto látkám, vždy používejte schválené prostředky pro ochranu dýchacího ústrojí, jako například protiprachové masky speciálně určené k odfiltrování mikroskopických částic. Odváděný vzduch směřujte od obličeje a těla.

3. Pokud si během provozu povšimnete čehokoliv neobvyklého, přerušete okamžitě práci.
4. Pokud vysavač upustíte nebo do něho silně bouchnete, zkontrolujte před použitím, zda nedošlo k jeho poškození.
5. Udržujte jej v bezpečné vzdálenosti od spáráků a jiných zdrojů tepla.
6. Neblokujte nasávací otvor a větrací otvory.

TYTO POKYNY USCHOVEJTE.

Důležitá bezpečnostní upozornění pro akumulátor

1. Před použitím akumulátoru si přečtěte všechny pokyny a varovné symboly na (1) nabíječce, (2) akumulátoru a (3) výrobku využívajícím akumulátor.
2. Nerozebírejte akumulátor ani do něj nijak nezasahujte. Může dojít k požáru, nadměrnému zahřátí nebo výbuchu.
3. Pokud se příliš zkrátí provozní doba akumulátoru, přerušete okamžitě práci. V opačném případě existuje riziko přehřívání, popálení nebo dokonce výbuchu.
4. Budou-li vaše oči zasaženy elektrolytem, vypláchněte je čistou vodou a okamžitě vyhledejte lékařskou pomoc. Může dojít ke ztrátě zraku.
5. Akumulátor nezkratujte:
 - (1) Nedotýkejte se svorek žádným vodivým materiálem.
 - (2) Neskladujte akumulátor v nádobě s jinými kovovými předměty, jako jsou hřebíky, mince, apod.
 - (3) Nevystavuje akumulátor vodě a dešti. Zkrat akumulátoru může způsobit velký průtok

proudu, přehřátí, možné popálení a dokonce i poruchu.

6. Neskladujte a nepoužívejte nářadí a akumulátor na místech, kde může teplota překročit 50 °C (122 °F).
7. Nespalujte akumulátor, ani když je vážně poškozen nebo úplně opotřeben. Akumulátor může v ohni vybuchnout.
8. Akumulátor nesmí být proražen hřebíkem, řezán, drčen, házen či upuštěn na zem, ani nesmí dojít k nárazu tvrdého předmětu do něj. Taková situace může způsobit požár, nadměrné zahřátí či výbuch.
9. Nepoužívejte poškozené akumulátory.
10. Obsažené lithium-iontové akumulátory podléhají právním požadavkům na nebezpečné zboží.

V případě komerční přepravy například externími dopravci je třeba dodržet zvláštní požadavky na balení a značení.

Pro přípravu zboží k přepravě je nutná konzultace s odborníkem na nebezpečný materiál. Dodržujte také případné podrobnější národní předpisy. Odkryté kontakty přelepte izolační páskou či jinak zakryjte a akumulátory zabalte tak, aby se v balení nemohly pohybovat.

11. Při likvidaci akumulátoru jej vyjměte z nářadí a zlikvidujte jej na bezpečném místě. Při likvidaci akumulátoru postupujte podle místních předpisů.
12. Akumulátor používejte pouze s výrobky specifickými společností Makita. Instalace akumulátoru do nevyhovujících výrobků může způsobit požár, nadměrné zahřívání, explozi nebo únik elektrolytu.
13. Pokud nářadí delší dobu nepoužíváte, je nutné z něj akumulátor vyjmout.
14. Během a po použití se může akumulátor zahřát, což může způsobit popálení nebo podráždění. Při manipulaci s horkými akumulátory dávejte pozor.
15. Nedotýkejte se koncovky na nářadí ihned po použití, protože ta může být horká a způsobit popálení.
16. Do koncovek, otvorů a zdírek na akumulátoru se nesmí dostat piliny, prach nebo jiné nečistoty. To může způsobit zahřátí, vznícení, prasknutí a poruchu nářadí nebo akumulátoru, což může vést k popáleninám nebo zranění osob.
17. Jestliže nářadí není zkonstruováno tak, že jej lze používat v blízkosti vysokého elektrického napětí, nepoužívejte akumulátor poblíž vedení s vysokým elektrickým napětím. Mohlo by tím dojít k poruše či selhání nářadí či akumulátoru.
18. Akumulátor uchovávejte mimo dosah dětí.

TYTO POKYNY USCHOVEJTE.

▲UPOZORNĚNÍ: Používejte pouze originální akumulátory Makita. Používání neoriginálních nebo upravených akumulátorů může způsobit explozi akumulátoru a následný požár, zranění a jiné poškození. Zaniká tím také záruka společnosti Makita na nářadí a nabíječku Makita.

Tipy k zajištění maximální životnosti akumulátoru

1. Akumulátor nabíjte dříve, než dojde k jeho úplnému vybití. Pokud si povšimnete sníženého výkonu nářadí, vždy jej zastavte a dobijte akumulátor.
2. Nikdy nenabíjete úplně nabitý akumulátor. Přebíjení zkracuje životnost akumulátoru.
3. Akumulátor dobíjete při pokojové teplotě od 10 °C do 40 °C (50 °F až 104 °F). Před nabíjením nechejte horký akumulátor zchladnout.
4. Když není akumulátor používán, vyjměte ho z nářadí či nabíječky.
5. Pokud se akumulátor delší dobu nepoužívá (déle než šest měsíců), je nutno jej dobít.

POPIS FUNKCÍ

⚠ UPOZORNĚNÍ: Před nastavováním nářadí nebo kontrolou jeho funkce se vždy přesvědčte, zda je vypnuté a je vyjmutý akumulátor.

⚠ UPOZORNĚNÍ: Dejte pozor, abyste si při nasazování akumulátoru nepřiskřípli prsty mezi vysavač a akumulátor (viz obrázek). Přiskřípnutí prstů může způsobit zranění.

► Obr.1

Nasazení a sejmутí akumulátoru

⚠ UPOZORNĚNÍ: Před nasazením či sejmутím akumulátoru nářadí vždy vypněte.

⚠ UPOZORNĚNÍ: Při nasazování či snímání akumulátoru pevně držte nářadí i akumulátor. V opačném případě vám může nářadí nebo akumulátor vyklouznout z rukou a mohlo by dojít k jejich poškození či ke zranění.

Chcete-li akumulátor sejmout, vysuňte jej se současným přesunutím tlačítka na přední straně akumulátoru.

► Obr.2: 1. Červený indikátor 2. Tlačítko 3. Akumulátor

Při nasazování akumulátoru vyrovnejte jazýček na bloku akumulátoru s drážkou v krytu a zasuňte akumulátor na místo. Akumulátor zasuňte na doraz, až zacvakne na své místo. Není-li zcela zajištěn, uvidíte červený indikátor dle obrázku.

⚠ UPOZORNĚNÍ: Akumulátor zasunujte vždy zcela tak, aby nebyl červený indikátor vidět. Jinak by mohl akumulátor ze zařízení vypadnout a způsobit zranění obsluze či přihlížejícím osobám.

⚠ UPOZORNĚNÍ: Akumulátor nenasazujte násilím. Nelze-li akumulátor zasunout snadno, nevkládejte jej správně.

Systém ochrany nářadí a akumulátoru

Nářadí je vybaveno systémem ochrany nářadí a akumulátoru. Tento systém automaticky přeruší napájení motoru, aby se prodloužila životnost nářadí a akumulátoru. Budou-li nářadí nebo akumulátor vystaveny některé z níže uvedených podmínek, nářadí se během provozu automaticky vypne.

Přetížení:

S nářadím/akumulátorem se pracuje takovým způsobem, že dochází k odběru mimořádně vysokého proudu.

V takové situaci nářadí vypněte a ukončete činnost, při níž došlo k přetížení nářadí. Potom nářadí zapněte a obnovte činnost.

Došlo k přehřátí:

Nářadí/akumulátor jsou přehřátá. V takovém případě nechte nářadí/akumulátor před opětovným zapnutím vychladnout.

Nízké napětí akumulátoru:

Zbývající kapacita akumulátoru je příliš nízká a nářadí nebude fungovat. V takovém případě vyjměte akumulátor a dobijte jej.

Ochrana proti jiným příčinám:

Systém ochrany je také navržen i pro jiné příčiny, které by mohly nářadí poškodit, a umožňuje automatické zastavení nářadí. Když se nářadí dočasně pozastaví nebo přestane pracovat, proveďte veškeré následující kroky k odstranění příčin.

1. Restartujte nářadí jeho vypnutím a opětovným zapnutím.
2. Nabíjete akumulátor(y) nebo jej (je) vyměňte za nabitý (nabité).
3. Nechte nářadí a akumulátor(y) vychladnout.





















Pokud se obnovou systému ochrany nedosáhne žádného zlepšení, obraťte se na místní servisní středisko společnosti Makita.

Indikace zbývající kapacity akumulátoru

Pouze pro akumulátory s diodovým ukazatelem

Stisknutím tlačítka kontroly na akumulátoru zjistíte zbývající kapacitu akumulátoru. Kontrolky indikátoru se na několik sekund rozsvítí.

► Obr.3: 1. Kontrolky 2. Tlačítko kontroly

Kontrolky			Zbývající kapacita
 Svítí	 Nesvítí	 Bliká	
	  		75 % až 100 %
	 		50 % až 75 %
	 		25 % až 50 %
	 		0 % až 25 %

Kontrolky			Zbývající kapacita
Svítí	Nesvítil	Bliká	
			Nabíjte akumulátor.
			Došlo pravděpodobně k poruše akumulátoru.

POZNÁMKA: Kapacita udávaná indikátorem se může mírně lišit od skutečné kapacity v závislosti na podmínkách používání a teplotě prostředí.

POZNÁMKA: První kontrolka (zcela vlevo) bude blikat, když je systém ochrany akumulátoru v provozu.

Používání spouště

► **Obr.4:** 1. Tlačítko změny sacího výkonu 2. Tlačítko ON/OFF

Vysavač spustíte jednoduše stisknutím tlačítka ON/OFF. Vypnutí provedete opětovným stisknutím tlačítka ON/OFF.

Sací výkon vysavače můžete měnit ve čtyřech krocích stisknutím tlačítka změny sacího výkonu. Každé stisknutí tlačítka listuje cyklem režimů: tichý režim/režim normálních otáček/režim vysokých otáček/režim maximálních otáček.

Úroveň	Kontrolka	Režim
1		Tichý režim
2		Režim normálních otáček
3		Režim vysokých otáček
4		Režim maximálních otáček

POZNÁMKA: Sací výkon můžete změnit i před spuštěním vysavače.

POZNÁMKA: Vysavač se spustí při stejné úrovni sacího výkonu jako při posledním provozu.

Rozsvícení světla

▲ UPOZORNĚNÍ: Nedívejte přímo do světla nebo jeho zdroje.

Světlo zapnete stisknutím tlačítka změny sacího výkonu. Světlo se vypne přibližně za 10 sekund. Během provozu vysavače světlo svítí. Světlo zhasne přibližně za 10 sekund po zastavení provozu.

POZNÁMKA: Při nízké zbývající kapacitě akumulátoru začne světlo blikat. Doba, kdy začne světlo blikat, závisí na teplotě na pracovišti a stavu akumulátoru.

► **Obr.5:** 1. Tlačítko změny sacího výkonu 2. Tlačítko ON/OFF 3. Světlo

POPIS DÍLŮ

► **Obr.6**

1	Příhrádka na prach 250 ml (volitelné příslušenství)	2	Příhrádka na prach 400 ml (volitelné příslušenství)	3	Mřížkový filtr	4	Tělo cyclonu
5	Vysoce účinný filtr (rám filtru šedý) (volitelné příslušenství)	6	HEPA filtr (rám filtru bílý) (volitelné příslušenství)	7	Houbička	8	Tělo vysavače
9	Řemínek na ruku (specifické podle země)	-	-	-	-	-	-

SESTAVENÍ

▲ UPOZORNĚNÍ: Před prováděním jakýchkoli prací na nářadí se vždy přesvědčte, zda je vypnuté a je vyjmutý akumulátor.

▲ UPOZORNĚNÍ: Ujistěte se, že jsou k čistíci řádně připevněny filtry. Děravé nebo nesprávně upevněné filtry mohou způsobit vniknutí prachu do skříně motoru. Mohlo by dojít k poruše motoru nebo požáru.

POZOR: Před použitím se ujistěte, že jsou všechny nástavce a součásti správně zajištěny na místě.

Montáž a demontáž nástavců k vysávání

▲ UPOZORNĚNÍ: Po montáži nástavců zkontrolujte, zda jsou bezpečně zajištěny. Pokud budou nástavce nasazeny nesprávně, mohou se uvolnit a způsobit úraz.

▲ UPOZORNĚNÍ: Buďte opatrní, abyste při demontáži nástavců neuhodili rukou o stěnu atp.

Používání nástavce s funkcí zámku

Pokud chcete namontovat nástavec, vložte jej do vstupu sání vysavače, dokud nezacvakne. Ujistěte se,

že je nástavec pevně zajištěný.

- **Obr.7:** 1. Vstup sání 2. Nástavec s funkcí zámku
3. Háček 4. Uvolňovací tlačítko

POZOR: Při montáži nástavce s funkcí zámku nezapomeňte zarovnat uvolňovací tlačítko na vysavači s háčkem na nástavci. Pokud nejsou zarovnané, nástavec nebude nástavec zajištěný a může se z vysavače uvolnit.

Chcete-li nástavec demontovat, stáhněte jej z vysavače a zároveň stiskněte a držte ramena uvolňovacího tlačítka.

- **Obr.8:** 1. Uvolňovací tlačítko 2. Rameno uvolňovacího tlačítka 3. Nástavec s funkcí zámku
4. Vstup sání

Používání nástavce bez funkce zámku

POZOR: Chcete-li namontovat nástavec bez funkce zámku, vložte jej do vstupu sání vysavače otočením, jak je znázorněno na obrázku. Chcete-li nástavec demontovat, uvolněte jej z vysavače otočením, jak je znázorněno na obrázku. Vyvarujte se otáčení nástavce ve směru opačném k šípce na obrázku, protože by mohlo dojít k uvolnění cyklonové jednotky.

- **Obr.9**

PRÁCE S NÁŘADÍM

⚠UPOZORNĚNÍ: Při používání vysavače nedávejte svůj obličej do blízkosti ventilačních otvorů. Pokud cizí předměty zasáhnou oči, může dojít k poranění osob.

POZOR: Vyhněte se používání čističe ve vodorovné poloze nebo poloze obrácené nahoru. Může to způsobit zanesení mřížkového filtru.

POZOR: Vždy vysavač používejte s namontovanými filtry. Používání vysavače bez filtrů může způsobit poruchu motoru.

POZOR: Příhrádku na prach v cyklonové jednotce vysypávejte vždy, když se nahromadí prach. Další používáním dojde ke snížení sacího výkonu.

Cyklonová jednotka pomáhá snižovat množství prachu, který se dostává do vysavače, a zvyšuje sací výkon s jednoduchou a snadnou likvidací prachu.

Vysávání

Hubice

Pouze s 250 ml příhrádkou na prach

Hubici nasadte při čištění stolů, nábytku atd. Hubice snadno klouže.

- **Obr.10:** 1. Hubice

Hubice a prodlužovací nástavec (rovná trubice)

Prodlužovací nástavec se vkládá mezi hubici a vysavač. Tato konfigurace je vhodná k vysávání podlahy vestoje.

- **Obr.11:** 1. Těleso vysavače 2. Prodlužovací nástavec (rovná trubice) 3. Hubice

Rámová hubice

Při vysávání rohů a obtížně přístupných míst v automobilu nebo na nábytku nasadte rámovou hubici.

- **Obr.12:** 1. Rámová hubice 2. Těleso vysavače

Rámovou hubici můžete uložit v držáku hubice.

- **Obr.13:** 1. Držák hubice 2. Rámová hubice

⚠UPOZORNĚNÍ: Dávejte pozor, abyste si mezi rámovou hubicí a držákem hubice nepřiskřípli prsty. Přiskřípnutí prstů může způsobit zranění.

Rámová hubice a prodlužovací nástavec (rovná trubice)

Tuto konfiguraci použijte při vysávání obtížně přístupných míst, do kterých se nevejde samotný vysavač, nebo při vysávání vysoko položených míst.

- **Obr.14:** 1. Rámová hubice 2. Prodlužovací nástavec (rovná trubice) 3. Těleso vysavače

Vysávání bez hubice

Pouze s 250 ml příhrádkou na prach

Prach můžete vysávat i bez hubice.

- **Obr.15**

Pro vysávání prachu na podlaze ve vzpřímené pozici je vhodné použití prodlužovacího nástavce.

- **Obr.16:** 1. Prodlužovací nástavec (rovná trubice)

Vysypávání prachu

⚠UPOZORNĚNÍ: Vyprázdněte vysavač před tím, než bude příliš plný, nebo když se sníží síla sání.

⚠UPOZORNĚNÍ: Dávejte pozor, abyste si při opětovné montáži nepřiskřípli prsty mezi příhrádkou na prach a tělem cyklonu.

Nahromaděný prach zlikvidujte následujícím způsobem, než překročí rysku pro likvidaci prachu.

1. Namiřte hlavu vysavače dolů, pevně držte příhrádku na prach a poté ji odtáhněte od těla cyklonu, přičemž stiskněte a držte uvolňovací tlačítko na obou stranách příhrádky na prach.

- **Obr.17:** 1. Ryska pro likvidaci prachu 2. Příhrádku na prach 3. Uvolňovací tlačítko 4. Mřížkový filtr

2. Vyprázdněte příhrádku na prach a odstraňte přilnutý prach z mřížkového filtru.

- **Obr.18**

3. Vraťte příhrádku na prach zpět na tělo cyklonu tak, aby se zajistila na místě cvaknutím.

- **Obr.19:** 1. Příhrádka na prach 2. Uvolňovací tlačítka
3. Tělo cyklonu

⚠ UPOZORNĚNÍ: Při vysypávání příhrádky na prach může dojít k vylétávání prachu. Dávejte pozor, aby se vám prach nedostal do očí.

POZOR: Když se znečistí příhrádka na prach, vyjměte ji a opláchněte ve vodě. Před opětovnou montáží a použitím příhrádku na prach řádně osušte.

POZOR: Před použitím se ujistěte, že jsou všechny nástavce a součásti správně zajištěny na místě.

POZOR: Jestliže se sací výkon nezlepší ani po vysypání prachu a vyčištění mřížkového filtru, zkontrolujte, zda se uvnitř těla cyklonu nenashromáždilo větší množství prachu nebo nedošlo k zanesení.

ÚDRŽBA

⚠ UPOZORNĚNÍ: Před zahájením kontroly nebo údržby nářadí se vždy ujistěte, zda je vypnuté a je vyjmut akumulátor.

⚠ UPOZORNĚNÍ: Ujistěte se, že jsou k čističi řádně připevněny filtry. Děravé nebo nesprávně upevněné filtry mohou způsobit vniknutí prachu do skříně motoru. Mohlo by dojít k poruše motoru nebo požáru.

POZOR: Nikdy nepoužívejte benzín, benzen, ředidlo, alkohol či podobné prostředky. Mohlo by tak dojít ke změně barvy, deformacím či vzniku prasklin.

K zachování BEZPEČNOSTI a SPOLEHLIVOSTI výrobku musí být opravy a veškerá další údržba či seřizování prováděny autorizovanými nebo továrními servisními středisky společnosti Makita s využitím náhradních dílů Makita.

Činnosti po ukončení práce

⚠ UPOZORNĚNÍ: Vysavač opřený o stěnu bez žádného dalšího zajištění může spadnout, což může mít za následek zranění nebo poškození vysavače.

► **Obr.20**

Pravidelná údržba

POZOR: Filtry v cyklonové jednotce čistěte pokaždé, když se zanesou. Budete-li pokračovat v používání i při zanesení, může se tvořit nadměrné teplo či dojít k poruše motoru.

POZOR: Nečistěte prach přilepený k vysavači a filtrům stlačeným vzduchem. Zanesení prachu do krytu a způsobí poruchu.

Obnovení běžných provozních podmínek vyžaduje

běžnou údržbu.

Těleso vysavače

Otřete vnější část (tělo) vysavače hadříkem namočeným v mýdlové vodě a vyčistěte sací otvory.

► **Obr.21**

Cyklonová jednotka a filtry

POZOR: Odprašte a vyčistěte vnitřek cyklonové jednotky a filtru, když je sací výkon méně účinný, a to bez ohledu na množství prachu nashromážděného v příhrádce na prach.

POZOR: Po omytí filtrů je nechte před dalším použitím řádně osušit. Nedostatečně vysušené filtry mohou oslabit sací výkon a zkrátit životnost motoru.

POZOR: Po očištění filtrů a houbičky je nepomeňte před dalším použitím namontovat zpět. Použijete-li vysavač bez filtrů a houbičky, dostane se do motoru prach a způsobí poruchu.

Cyklonová jednotka

1. Několikrát poklepejte rukou na cyklonovou jednotku, abyste odstranili prach ulpívající na vnitřním povrchu cyklonové jednotky a filtru.

► **Obr.22:** 1. Cyklonová jednotka

2. Se vstupem sání směřujícím dolů otočte cyklonovou jednotkou, jak je znázorněno na obrázku, a zároveň ukazatel na cyklonové jednotce s ukazatelem na těle vysavače za účelem uvolnění zámku. Poté oddělte cyklonovou jednotku od těla vysavače, a to pomalu a rovně.

► **Obr.23:** 1. Cyklonová jednotka 2. Vstup sání
3. Ukazatele 4. Filtr

POZNÁMKA: Při demontáži cyklonové jednotky může vyletovat prach. Pod cyklonovou jednotku se doporučuje umístit pytel na odpadky.

3. Vyčistěte prach uvnitř cyklonové jednotky a filtru.

► **Obr.24**

4. Umístěte cyklonovou jednotku zpět na tělo vysavače a zároveň ukazatel na cyklonové jednotce s ukazatelem na těle vysavače. Poté otáčejte cyklonovou jednotkou, jak je znázorněno na obrázku, dokud není zajištěna na místě.

► **Obr.25:** 1. Cyklonová jednotka 2. Tělo vysavače
3. Ukazatele

Vysoce účinný filtr

Volitelné příslušenství

1. Demontujte cyklonovou jednotku z těla vysavače.

2. Uchopte montážní konec vysoce účinného filtru a vytáhněte jej od těla vysavače.

► **Obr.26:** 1. Vysoce účinný filtr 2. Tělo vysavače

3. Ručně otřete a vytřepete vysoce účinný filtr.

► **Obr.27**

4. Když je vysoce účinný filtr zanesený prachem a nečistotami, vyperte jej v mýdlové vodě. Před použitím ho nechte řádně oschnout ve stínu.

► **Obr.28**

POZNÁMKA: Při zavěšování za účelem sušení se vyvarujte upevňování připojovacího konce (gumového těsnícího kroužku) vysoce účinného filtru.

5. Uchopte montážní konec vysoce účinného filtru a nasuňte jej zpět do těla vysavače.

► **Obr.29:** 1. Vysoce účinný filtr 2. Tělo vysavače

HEPA filtr

Volitelné příslušenství

POZOR: Dejte pozor, abyste HEPA filtr neodřeli nebo nepoškrábali tvrdými předměty, například smetáčkem a lopatkou.

1. Demontujte cyklonovou jednotku z těla vysavače.
2. Uchopte montážní konec HEPA filtru (potaženého vysoce účinným vstupním filtrem) a vytáhněte jej od těla vysavače.

► **Obr.30:** 1. HEPA filtr (potažený vysoce účinným vstupním filtrem) 2. Tělo vysavače

3. Demontujte vysoce účinný vstupní filtr z HEPA filtru ručním otáčením.

► **Obr.31:** 1. Vysoce účinný vstupní filtr 2. HEPA filtr

4. Ručně otřete a vytřepete vysoce účinný vstupní filtr a HEPA filtr.

► **Obr.32**

5. Umyjte vysoce účinný vstupní filtr a HEPA filtr v mýdlové vodě. Před použitím je opláchněte a nechte řádně oschnout ve stínu.

► **Obr.33**

POZNÁMKA: Při zavěšování za účelem sušení se vyvarujte upevňování připojovacího konce (gumového těsnícího kroužku) HEPA filtru.

6. Připevňete vysoce účinný vstupní filtr k HEPA filtru.

► **Obr.34:** 1. Vysoce účinný vstupní filtr 2. HEPA filtr

7. Uchopte montážní konec HEPA filtru (potaženého vysoce účinným vstupním filtrem) a nasuňte jej zpět do těla vysavače.

► **Obr.35:** 1. HEPA filtr (potažený vysoce účinným vstupním filtrem) 2. Tělo vysavače

Houbička

1. Demontujte cyklonovou jednotku z těla vysavače.

2. Uchopte montážní konec filtru a vytáhněte jej od těla vysavače.

► **Obr.36:** 1. Filtr 2. Tělo vysavače

3. Vytáhněte houbičku ze sacího otvoru.

► **Obr.37:** 1. Houbička 2. Sací otvor

4. Ručně otřete a vytřepete houbičku.

► **Obr.38**

5. Když je houbička zanesená prachem a nečistotami, vyperte ji v mýdlové vodě. Před použitím ho nechte řádně oschnout ve stínu.

► **Obr.39**

6. Umístěte houbičku na původní místo. Ujistěte se, že levý a pravý okraj houbičky jsou zajištěny dorazy a že mezi houbičkou a sacím otvorem není žádná

mezera.

► **Obr.40:** 1. Houbička 2. Zarážka 3. Sací otvor

7. Uchopte montážní konec filtru a nasuňte jej zpět do těla vysavače.

► **Obr.41:** 1. Filtr 2. Tělo vysavače

Údržba dle stavu

POZOR: Mřížkové filtry v cyklonové jednotce čistěte **pokaždé, když se zanesou**. Budete-li pokračovat v používání i při zanesení, může se tvořit nadměrné teplo či dojít k poruše motoru.

Hluboké a bodové čištění je nutné provádět dle výkonu vašeho nářadí.

Mřížkový filtr

Když se znečistí příhrádka na prach nebo zanesou mřížkový filtr, vyjměte je a opláchněte ve vodě. (Postup vyjmutí je popsán v části „Vysypávání prachu“.)

1. Pevně držte příhrádku na prach a odtáhněte ji od těla cyklonu, přičemž tisknete a držte uvolňovací tlačítka na obou stranách příhrádky na prach.

► **Obr.42:** 1. Příhrádka na prach 2. Tělo cyklonu
3. Uvolňovací tlačítka

2. Otáčejte mřížkovým filtrem dle obrázku a uvolněte zámek. Poté jej odpojte od těla cyklonu.

► **Obr.43:** 1. Mřížkový filtr

3. Demontujte mřížkový filtr na tři části: vstupní filtr, trubkový pěnový filtr a mřížková trubka.

i Stiskněte vodicí dorazy v horní části mřížkové trubky k sobě.

ii Protáhněte vodicí dorazy dolů vodicím otvorem v horní části vstupního filtru.

iii Vytáhněte vstupní filtr podél trubkového pěnového filtru a mřížkové trubky.

iv Vyjměte trubkový pěnový filtr z mřížkové trubky.

► **Obr.44:** 1. Vstupní filtr 2. Trubkový pěnový filtr
3. Mřížková trubka 4. Vodicí dorazy
5. Vodicí otvor

4. Ručně otřete a vytřepete filtry a mřížkovou trubku.
► **Obr.45**

5. Když jsou filtry a mřížková trubka zanesené prachem a nečistotami, vyperte je v mýdlové vodě. Před použitím je nechte řádně oschnout ve stínu.

► **Obr.46**

6. Opět smontujte mřížkový filtr.

i Zasuňte trubkový pěnový filtr do vstupního filtru.

ii Zasuňte mřížkovou trubku do trubkového pěnového filtru a vstupního filtru a protáhněte vodicí dorazy na horní straně mřížkové trubky vodicím otvorem na horní straně vstupního filtru.

iii Protáhněte mřížkovou trubku skrz trubkový pěnový filtr a vstupní filtr, dokud nezacvakne na místo.

► **Obr.47:** 1. Vstupní filtr 2. Trubkový pěnový filtr
3. Mřížková trubka 4. Vodicí dorazy
5. Vodicí otvor

7. Připevňete mřížkový filtr zpět do těla cyklonu tak, aby byly háčky na mřížkovém filtru zarovnaný s otvory

na sacím výstupu těla cyklonu. Otáčejte mřížkovým filtrem dle obrázku, dokud háčky nezacvaknou. Ujistěte se, že je mřížkový filtr pevně nasazen.

► **Obr.48:** 1. Mřížkový filtr 2. Tělo cyklonu 3. Háček 4. Otvor

Vzduchové kanály v cyklonové jednotce

Přicházející cizí látky mohou ucpávat vzduchové kanály v cyklonové jednotce a vyvolávat proud znečištěného vzduchu. Pokud je výrazně ovlivněn sací výkon, odstraňte všechny překážky v trase vzduchu.

1. Demontujte cyklonovou jednotku na tři části: příhrádka na prach, mřížkový filtr a tělo cyklonu.

► **Obr.49:** 1. Příhrádka na prach 2. Mřížkový filtr 3. Tělo cyklonu 4. Tělo vysavače

2. Pomocí ručního nářadí s hrotem zatlačte a přidržte vodicí doraz na vstupní trubce skrz zajišťovací otvor na těle cyklonu. Poté vstupní trubku odpojte od

těla cyklonu.

► **Obr.50:** 1. Vstupní trubka 2. Vodicí doraz 3. Tělo cyklonu 4. Zajišťovací otvor

3. Odstraňte veškeré látky nalezené ve vzduchových kanálech.

Cizí látky pravděpodobně uvíznou kolem vstupního vzduchového otvoru.

► **Obr.51:** 1. Vstup sání 2. Vstupní vzduchový otvor

4. Zasuňte vstupní trubku zpět, dokud není pevně zajištěna.

► **Obr.52:** 1. Vstupní trubka 2. Tělo cyklonu 3. O-kroužek 4. Klapkový ventil

POZOR: Před opětovnou montáží se ujistěte, že O-kroužek a klapkový ventil jsou bezpečně na svém místě. Sací výkon může být ovlivněn, pokud je cyklonová jednotka provozována bez nasazeného O-kroužku a klapkového ventilu.

5. Znovu sestavte cyklonovou jednotku a nasadte ji na tělo vysavače.

Odstraňování problémů

Než požádáte o opravu, zkontrolujte následující body.

Příznak	Cíl kontroly	Způsob nápravy
Slabý sací výkon	Jsou příhrádka na prach nebo vnitřek cyklonové jednotky plné prachu?	Vysypte příhrádku na prach nebo vnitřek cyklonové jednotky.
	Jsou filtry zanesené?	Odstraňte prach nebo omyjte vysoce účinný filtr/HEPA filtr/houbičku/mřížkový filtr.
	Blokují cizí látky vstupní vzduchové kanály?	Odstraňte veškerý prach a předměty ze vzduchových otvorů a kanálů.
	Není akumulátor vybitý?	Nabijte akumulátor.
Zařízení nepracuje	Není akumulátor vybitý?	Nabijte akumulátor.
Hluk a chvění	Jsou filtry zanesené?	Odstraňte prach nebo omyjte vysoce účinný filtr/HEPA filtr/houbičku/mřížkový filtr.
	Nejsou otvory či díry něčím ucpané?	Odstraňte veškerý prach a předměty z hubic, trubice a vzduchových otvorů.
	Není vstup sání hubice nebo trubice zavřený?	Odkryjte a otevřete vstup sání hubice a trubice.

⚠ UPOZORNĚNÍ: Nepokoušejte se opravovat vysavač sami.

VOLITELNÉ PŘÍSLUŠENSTVÍ

⚠ UPOZORNĚNÍ: Pro nářadí Makita popsané v tomto návodu doporučujeme používat následující příslušenství a nástavce. Při použití jiného příslušenství či nástavců může hrozit nebezpečí zranění osob. Příslušenství lze používat pouze pro stanovené účely.

Potřebujete-li bližší informace ohledně tohoto příslušenství, obraťte se na místní servisní středisko společnosti Makita.

- Prodlužovací nástavec (rovná trubice)
- Hubice
- Hubice na koberec

- Kartáčová hubice
- Rámová hubice
- Hubice s kulatým kartáčem
- Pružná hadice
- Vysoce účinný filtr
- HEPA filtr
- Hubice na sedačky
- Hubice na spáry
- Cyklonová jednotka
- Brašna na nářadí
- Originální akumulátor a nabíječka Makita

POZNÁMKA: Některé položky seznamu mohou být k nářadí přibaleny jako standardní příslušenství. Přibalené příslušenství se může v různých zemích lišit.

ПОПЕРЕДЖЕННЯ

- Дітям віком від 8 років, а також особам з обмеженими фізичними, сенсорними або розумовими здібностями та особам із недостатнім досвідом і знаннями дозволяється використовувати цей прилад лише за умови, що за ними встановлено нагляд або їм було надано інструкції стосовно безпечного використання цього приладу й вони усвідомлюють потенційну небезпеку від його використання.
- Дітям не дозволяється грати із цим приладом. Дітям не дозволяється виконувати чищення або проводити технічне обслуговування приладу без нагляду дорослих.
- Тип акумулятора див. у розділі «ТЕХНІЧНІ ХАРАКТЕРИСТИКИ».
- Інструкції щодо встановлення та зняття акумулятора див. у розділі «Встановлення та зняття касети з акумулятором».
- Для утилізації касети з акумулятором витягніть її з інструмента та утилізуйте безпечним способом. Дотримуйтеся норм місцевого законодавства щодо утилізації акумуляторів.
- Якщо інструментом не користуватимуться протягом тривалого періоду часу, вийміть акумулятор з інструмента.
- Не закоротіть касету з акумулятором.
- Відомості про заходи безпеки під час обслуговування виробу користувачем див. у розділі «ТЕХНІЧНЕ ОБСЛУГОВУВАННЯ».

ТЕХНІЧНІ ХАРАКТЕРИСТИКИ

Модель:		DCL286F
Ємність		250 мл / 400 мл (залежно від країни)
Тривалість використання (з акумулятором BL1830B)	1 (безшумний режим)	Прибл. 38 хв
	2 (режим нормальної швидкості)	Прибл. 21 хв
	3 (режим високої швидкості)	Прибл. 15 хв
	4 (режим максимальної швидкості)	Прибл. 8 хв
Загальна довжина (з трубою, насадкою та акумулятором BL1830B)		1 106 мм
Номінальна напруга		18 В пост. струму
Маса нетто		1,6—2,0 кг

- Оскільки наша програма наукових досліджень і розробок триває безперервно, наведені тут технічні характеристики можуть бути змінені без попередження.
- У різних країнах технічні характеристики можуть бути різними.
- Вага не включає жодних додаткових приладів, окрім касети (касет) з акумулятором. Найменша або найбільша комбінація ваги пристрою та касети (касет) з акумулятором наведені в таблиці.

Застосовна касета з акумулятором і зарядний пристрій

Касета з акумулятором	BL1815N / BL1820B / BL1830B / BL1840B / BL1850B / BL1860B
Зарядний пристрій	DC18RC / DC18RD / DC18RE / DC18SD / DC18SE / DC18SF / DC18SH / DC18WC

- Деякі касети з акумулятором і зарядні пристрої, які вказано вище, можуть бути недоступними залежно від вашого регіону або місця перебування.

⚠ ПОПЕРЕДЖЕННЯ: Використовуйте лише касети з акумулятором і зарядні пристрої, перелічені вище. Використання будь-яких інших касет з акумулятором і зарядних пристроїв може призвести до травмування й/або пожежі.

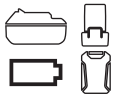
Символи

Далі наведено символи, які можуть застосовуватися для позначення обладнання. Перед користуванням

переконайтеся, що ви розумієте їхнє значення.



Читайте посібник з експлуатації.



Типовий акумулятор для застосування в цьому виробі.



Тільки для країн ЄС
Через наявність в обладнанні небезпечних компонентів відходи електричного та електронного обладнання, акумулятори та батареї можуть негативно впливати на навколишнє середовище та здоров'я людини.

Не викидайте електричні та електронні прилади або батареї разом з побутовими відходами!

Відповідно до директиви ЄС стосовно відходів електричного та електронного обладнання, акумуляторів, батарей та відходів акумуляторів і батарей, а також відповідно до її адаптації до національного законодавства, відходи електричного обладнання, батареї та акумулятори слід зберігати окремо й доставляти на пункт роздільного збору комунальних відходів, який працює з дотриманням правил охорони навколишнього середовища.

Це позначено символом у вигляді перевернутого сміттового контейнера з колесами, нанесеним на обладнання.

Призначення

Інструмент призначено для збирання сухого пилю.

ПОПЕРЕДЖЕННЯ ПРО ДОТРИМАННЯ ТЕХНІКИ БЕЗПЕКИ

Попередження про необхідну обережність під час роботи з бездротовим пилососом

⚠ ПОПЕРЕДЖЕННЯ: ВАЖЛИВО!
ПРОЧИТАЙТЕ УВАЖНО всі попередження про необхідну обережність під час роботи та всі інструкції ПЕРЕД ВИКОРИСТАННЯМ.
Недотримання попереджень та інструкцій може призвести до ураження електричним струмом, до виникнення пожежі та/або до отримання серйозних травм.

1. Не залишайте інструмент під дощем. Зберігайте у приміщенні.
2. Не допускайте, щоб з цим приладом гралися діти. Потрібно бути пильним, якщо інструмент використовується дітьми або поблизу від них.
3. Використовуйте лише у відповідності з цією інструкцією. Використовуйте лише допоміжне обладнання, яке рекомендоване виробником.
4. Не використовуйте, якщо акумулятор пошкоджений. Якщо прилад не працює

належним чином, його впустили, пошкодили, залишили під дощем або зронили у воду, його слід відправити до сервісного центру.

5. Не торкайтеся приладу мокрими руками.
6. Не встромляйте жодних предметів у отвори. Не використовуйте прилад із заблокованими отворами; не допускайте їх блокування пилом, пухом, волоссям або будь-чим, що може послабити потік повітря.
7. Слідкуйте, щоб волосся, просторий одяг, а також пальці та інші частини тіла не потрапили до отворів та рухомих частин приладу.
8. Перед зніманням акумулятора вимикайте всі елементи керування.
9. Будьте особливо обережні під час прибирання на сходах.
10. Уникайте потрапляння на прилад займих або пальних рідин, наприклад бензину, та не використовуйте прилад в місцях їх застосування.
11. Для перезарядження акумулятора використовуйте тільки зарядні пристрій, що постачається виробником.
12. Уникайте контакту приладу з будь-якими речовинами та предметами, що горять або димлять, наприклад цигарками, сірниками або гарячим попелом.
13. Не використовуйте без мішка для пилю і (або) встановлених фільтрів.
14. Перезаряджайте акумулятор тільки в приміщенні.
15. Перезаряджайте акумулятор лише за допомогою зарядного пристрою, вказаного виробником. Зарядний пристрій, який підходить для одного типу акумуляторів, може призвести до пожежі при використанні з акумулятором іншого типу.
16. Використовуйте пристрої лише зі спеціально призначеним типом акумуляторів. Використання акумуляторів інших типів може призвести до травм і пожежі.
17. Коли акумулятор не використовується, тримайте його подалі від таких металевих предметів, що можуть закортити клеми акумулятора, наприклад скріпок, монет, ключів, цвяхів, гвинтів тощо.
18. За неналежних умов зберігання з акумулятора може витекти рідина, контакту з якою слід уникати. У разі випадкового потрапляння рідини на тіло уражену частину необхідно промити водою.
19. Не користуйтеся акумуляторним блоком або пристроєм, які було змінено чи пошкоджено. Експлуатація акумуляторів, які було змінено чи пошкоджено, може бути небезпечною й спричинити пожежу, вибух або травму.
20. Не піддавайте акумулятор або пристрій впливу вогню чи надмірної температури. Вплив вогню або температури вище 130 °C може спричинити вибух.
21. Дотримуйтеся всіх вказівок із заряджання й не заряджайте акумулятор або пристрій за температури за межами зазначеного в

інструкції діапазону. Неправильне зарядження або заряджання при температурі поза межами вказаного діапазону може призвести до пошкодження акумулятора й підвищити ризик займання.

ЗБЕРІГАЙТЕ ЦІ ВКАЗІВКИ.

ДОДАТКОВІ ПРАВИЛА БЕЗПЕКИ

Цей прилад призначений тільки для побутового використання.

1. Перед використанням уважно прочитайте цю інструкцію, а також інструкцію до зарядного пристрою.
2. Уникайте таких речовин та предметів, як:
 - гарячі речовини, що горять або димлять (сигарети, сірники, ароматичні палички, свічки, гарячий попіл), іскри та металевий пил, що утворюються під час різання або шліфування металу тощо;
 - легкозаймиста рідина (гас, бензин, розчинники, як-от бензин, розчинник тощо);
 - легкозаймистий матеріал (тонер, фарба, спрей тощо);
 - вибухові або пірофорні речовини (нітрогліцерин, алюміній, магній, титан, цинк, червоний фосфор, жовтий фосфор, целулоїд тощо та їх пил, газ або пара);
 - рідина, олива, вологий бруд або вологе сміття, включаючи блювоту та екскременти;
 - тверді предмети з гострими краями (дерев'яна стружка, метал, каміння, склянки, цвяхи, шпильки, бритви або столові прибори);
 - затверджуючий і провідний дрібний порошок (металевий або вугільний порошок);
 - піна, як засіб для чищення килимів тощо (може спричинити вибух або пожежу);
 - велика кількість порошку (борошно, вогнегасний порошок тощо);
 - речовини, що викликають симптоми інтоксикації;
 - агресивні хімічні речовини (кислота, луг тощо);
 - дрібний сполучний порошок, наприклад цемент;
 - дрібні частки, наприклад бетонний пил;
 - десиканти;
 - азбест;
 - пестициди.

У протилежному випадку це може призвести до пожежі, травми та (або) пошкодження майна. Щоб зменшити вплив цих хімічних речовин, завжди надягайте схвалені засоби захисту органів дихання, наприклад протипилові маски, спеціально розроблені для фільтрації

мікроскопічних часток. Направляйте вихідне повітря в бік від свого обличчя та тіла.

3. **Негайно зупиніть інструмент, якщо помітите відхилення в його роботі.**
4. Якщо ви впустили або вдарили пиросос, перед подальшим використанням його слід ретельно оглянути на наявність тріщин або пошкоджень.
5. Заборонено підносити інструмент близько до кухонних плит або інших джерел тепла.
6. Заборонено блокувати забірний або вентиляційні отвори.

ЗБЕРІГАЙТЕ ЦІ ВКАЗІВКИ.

Важливі інструкції з безпеки для касети з акумулятором

1. Перед тим як користуватися касетою з акумулятором, слід прочитати всі інструкції та застережні знаки щодо (1) зарядного пристрою акумулятора, (2) акумулятора та (3) виробів, що працюють від акумулятора.
2. Не розбирайте касету з акумулятором і не змінюйте її конструкцію. Це може призвести до пожежі, перегріву або вибуху.
3. Якщо період роботи дуже покоротшав, слід негайно припинити користування. Це може призвести до виникнення ризику перегріву, опіку та навіть вибуху.
4. У разі потрапляння електроліту в очі слід промити їх чистою водою та негайно звернутися до лікаря. Це може призвести до втрати зору.
5. Не закоротіть касету з акумулятором.
 - (1) Не слід торкатися клем будь-яким струмопровідним матеріалом.
 - (2) Не слід зберігати касету з акумулятором у ємності з іншими металевими предметами, такими як цвяхи, монети тощо.
 - (3) Не залишайте касету з акумулятором під дощем, запобігайте контакту з водою.Коротке замикання може призвести до появи значного струму, перегріву, можливих опіків та навіть виходу з ладу.
6. Не слід зберігати й використовувати інструмент і касету з акумулятором у місцях, де температура може сягнути чи перевищити 50 °C (122 °F).
7. Не слід спалювати касету з акумулятором, навіть якщо вона була неодноразово пошкоджена або повністю спрацьована. Касета з акумулятором може вибухнути у вогні.
8. Заборонено забивати цвяхи в касету з акумулятором, різати, ламати, кидати, впускати касету з акумулятором або вдаряти її твердим предметом. Це може призвести до пожежі, перегріву або вибуху.
9. Не слід використовувати пошкоджений акумулятор.
10. Літій-іонні акумулятори, що містяться в інструменті, мають відповідати вимогам законів про небезпечні товари.

Під час транспортування за допомогою комерційних перевезень, наприклад із залученням третьої сторони та експедиторів, необхідно дотримуватись особливих вимог, вказаних на пакуванні й у маркуванні.

Під час підготування позиції до відправлення необхідно проконсультуватись зі спеціалістом з небезпечних матеріалів. Крім того, слід виконувати більш докладні національні настанови, якщо такі є.

Заклейте відкриті контакти стрічкою або заховайте їх і запакуйте акумулятор таким чином, щоб він не міг рухатися в пакуванні.

11. Для утилізації касети з акумулятором витягніть її з інструмента та утилізуйте безпечним способом. Дотримуйтеся норм місцевого законодавства щодо утилізації акумуляторів.
12. Використовуйте акумулятори лише з виробами, указаними компанією Makita. Установлення акумуляторів у невідповідні вироби може призвести до пожежі, надмірного нагрівання, вибуху чи витоку електроліту.
13. Якщо інструментом не користуватимуться протягом тривалого періоду часу, вийміть акумулятор з інструмента.
14. Під час і після використання касета з акумулятором може нагріватися, що може стати причиною опіків або низькотемпературних опіків. Будьте обережні під час поводження з гарячою касетою з акумулятором.
15. Не торкайтеся контактів інструмента відразу після використання, оскільки він може бути досить гарячим, щоб викликати опіки.
16. Не допускайте, щоб уламки, пил або земля прилипали до контактів, отворів і пазів на касеті з акумулятором. Це може призвести до перегріву, займання, вибуху та виходу з ладу інструмента або касети з акумулятором і спричинити опіки або травми.
17. Якщо інструмент не розраховано на використання поблизу високовольтних ліній електропередач, не використовуйте касету з акумулятором поблизу високовольтних ліній електропередач. Це може призвести до несправності, поломки інструмента або касети з акумулятором.
18. Тримайте акумулятор у недоступному для дітей місці.

ЗБЕРІГАЙТЕ ЦІ ВКАЗІВКИ.

⚠ОБЕРЕЖНО: Використовуйте тільки акумулятори Makita. Використання акумуляторів, інших ніж оригінальні акумулятори Makita, або акумуляторів, конструкцію яких було змінено, може призвести до вибуху акумулятора і спричинити пожежу, травму або пошкодження. У зв'язку з цим також буде анульовано гарантію Makita на інструмент Makita і на зарядний пристрій.

Поради з забезпечення максимального строку експлуатації акумулятора

1. Касету з акумулятором слід заряджати до

того, як він розрядиться повністю. Завжди слід зупиняти роботу інструмента та зарядити акумулятор, якщо ви помітили зменшення потужності інструмента.

2. Ніколи не слід заряджати повторно повністю заряджену касету з акумулятором. Перезарядження скорочує строк експлуатації акумулятора.
3. Заряджайте касету з акумулятором при кімнатній температурі 10°C - 40°C (50°F - 104°F). Перед тим як заряджати касету з акумулятором, слід зачекати, доки вона охолоне.
4. Коли касета з акумулятором не використовується, виймайте її з інструмента або зарядного пристрою.
5. Якщо касета з акумулятором не використовувалася тривалий час (понад шість місяців), її слід зарядити.

ОПИС РОБОТИ

⚠ОБЕРЕЖНО: Обов'язково переконайтеся, що прилад вимкнено, а касету з акумулятором знято, перед регулюванням або перевіркою функціонування інструмента.

⚠ОБЕРЕЖНО: Заряджаючи касету з акумулятором, слідкуйте, щоб між пілососом та акумулятором не потрапили пальці, як показано на малюнку. Защемлення пальців може призвести до травм.

► Рис.1

Встановлення та зняття касети з акумулятором

⚠ОБЕРЕЖНО: Завжди вимикайте інструмент перед встановленням або зняттям касети з акумулятором.

⚠ОБЕРЕЖНО: Під час встановлення або зняття касети з акумулятором слід міцно тримати інструмент та касету з акумулятором. Якщо ви утримуватимете інструмент та касету з акумулятором недостатньо міцно, вони можуть вислизнути з рук, що може призвести до пошкодження інструмента та касети з акумулятором або може спричинити травми.

Щоб зняти касету з акумулятором, слід витягнути її з інструмента, натиснувши на кнопку в передній частині касети.

► Рис.2: 1. Червоний індикатор 2. Кнопка 3. Касета з акумулятором

Щоб установити касету з акумулятором, слід сумістити виступ на касеті з акумулятором із пазом у корпусі й вставити касету на місце. Вставляйте її до кінця, щоб вона зафіксувалася з легким клацанням. Якщо ви бачите червоний індикатор, як показано на рисунку, її не зафіксовано повністю.

⚠ОБЕРЕЖНО: Завжди вставляйте касету з акумулятором повністю, щоб червоного індикатора не було видно. Якщо цього не зробити, касета може випадково випасти з інструмента та завдати травми вам або людям, що знаходяться поряд.

⚠ОБЕРЕЖНО: Не встановлюйте касету з акумулятором із зусиллям. Якщо касета не вставляється легко, то це означає, що ви її неправильно вставляєте.

Система захисту інструмента/ акумулятора

Інструмент оснащено системою захисту інструмента/ акумулятора. Ця система автоматично вимикає живлення двигуна з метою збільшення терміну служби інструмента й акумулятора. Інструмент автоматично зупиняється під час роботи, якщо інструмент або акумулятор опиняться в зазначених нижче умовах.

Перевантаження:

Інструмент / акумулятор споживає струм зависокої потужності під час роботи.

У такому разі вимкніть інструмент і припиніть роботу, під час виконання якої інструмент зазнав перевантаження. Щоб перезапустити інструмент, увімкніть його знову.

Перегрівання:

Інструмент / акумулятор перегрівся. У такому разі дайте інструменту / акумулятору охолонути, перш ніж знову вимкати інструмент.

Низька напруга акумулятора:

Залишкова ємність акумулятора занадто низька, тому інструмент не буде працювати. У такому разі вийміть і зарядіть акумулятор.

Захист від інших неполадок:

Система захисту також забезпечує захист від інших неполадок, які можуть призвести до пошкодження інструмента, і забезпечує автоматичне зупинення інструмента. У разі тимчасової зупинки або припинення роботи інструмента виконайте всі зазначені нижче дії для усунення причини зупинки.

1. Вимкніть і знову увімкніть інструмент, щоб перезапустити його.
2. Зарядіть акумулятор(-и) або замініть його(їх) зарядженим(-и).
3. Дайте інструменту й акумулятору(-ам) охолонути.

Якщо після відновлення вихідного стану системи захисту ситуація не зміниться, зверніться до місцевого сервісного центру Makita.

Відображення залишкового заряду акумулятора

Тільки для касет з акумулятором, які мають індикатори

Натисніть кнопку перевірки на касеті з акумулятором для відображення залишкового ресурсу акумулятора. Індикаторні лампи загоряться на кілька секунд.

► **Рис.3:** 1. Індикаторні лампи 2. Кнопка перевірки

Індикаторні лампи			Залишковий ресурс
Горить	Вимк.	Блимає	
■	■	■	від 75 до 100%
■	■	□	від 50 до 75%
■	□	□	від 25 до 50%
■	□	□	від 0 до 25%
▬	□	□	Зарядіть акумулятор.
■	□	□	Можливо, акумулятор вийшов з ладу.
□	□	■	

ПРИМІТКА: Залежно від умов використання та температури оточуючого середовища показання можуть незначним чином відрізнятися від дійсного ресурсу.

ПРИМІТКА: Перша (дальня ліва) індикаторна лампа блимає під час роботи захисної системи акумулятора.

Дія вимикача

► **Рис.4:** 1. Кнопка зміни потужності всмоктування 2. Кнопка ввімкнення / вимкнення

Для запуску пілососа просто натисніть кнопку ввімкнення / вимкнення. Для вимкнення знов натисніть кнопку ввімкнення / вимкнення.

Доступне чотирьохступеневе регулювання потужності всмоктування пілососа за допомогою кнопки зміни потужності всмоктування. За кожного наступного натискання цієї кнопки циклічно повторюється безшумний / нормальний / високий / максимальний режим.

Рівень	Індикація	Режим
1	☰	Безшумний режим
2	☷	Режим нормальної швидкості
3	☶	Режим високої швидкості
4	☵	Режим максимальної швидкості

ПРИМІТКА: Потужність всмоктування можна змінити перед ввімкненням пілососа.

ПРИМІТКА: Пілосос починає роботу з тією ж потужністю всмоктування, що й під час останньої операції.

Увімкнення підсвічування

⚠ОБЕРЕЖНО: Не дивіться на світло або безпосередньо на джерело світла.

Щоб увімкнути індикатор, натисніть кнопку зміни

потужності всмоктування. Індикатор гасне приблизно через 10 секунд.

Поки пилосос працює, індикатор горить.

Індикатор гасне приблизно через 10 секунд після припинення роботи.

ПРИМІТКА: Коли залишковий заряд акумулятора стає низьким, індикатор починає блимати. Час, коли індикатор акумулятора починає блимати, залежить від температури на робочому місці та від стану касети з акумулятором.

- **Рис.5:** 1. Кнопка зміни потужності всмоктування 2. Кнопка ввімкнення / вимкнення 3. Лампа

ОПИС ДЕТАЛЕЙ

► Рис.6

1	250 мл, корпус для збору пилу (додаткове приладдя)	2	400 мл, корпус для збору пилу (додаткове приладдя)	3	Сітчастий фільтр	4	Корпус циклонного фільтра
5	Високоєфективний фільтр (із сірою рамкою) (додаткове приладдя)	6	Фільтр НЕРА (із білою рамкою) (додаткове приладдя)	7	Губчастий лист	8	Корпус пилососа
9	Ремінь (залежно від країни)	-	-	-	-	-	-

ЗБОРКА

⚠ОБЕРЕЖНО: Обов'язково переконайтеся, що прилад вимкнено, а касету з акумулятором знято, перш ніж проводити будь-які роботи з інструментом.

⚠ОБЕРЕЖНО: Важливо правильно під'єднати фільтри до пилососа. Якщо фільтри мають дірки або якщо вони неправильно під'єднані, пил може потрапити всередину корпусу двигуна. Це може спричинити поломку двигуна або займання.

УВАГА: Перед використанням упевніться, що всі насадки й компоненти надійно зафіксовані.

Установлення та зняття насадок пилососа

⚠ОБЕРЕЖНО: Після встановлення насадок переконайтеся в надійності їх кріплення. У разі неправильного встановлення насадок вони можуть зіскочити й нанести травму.

⚠ОБЕРЕЖНО: Під час зняття насадок будьте обережні, щоб не вдаритися рукою об стіну тощо.

Під час використання насадки з фіксацією

Для встановлення насадки вставте її у всмоктувальний отвір пилососа до клацання. Переконайтеся в тому, що насадку надійно зафіксовано.

- **Рис.7:** 1. Отвір усмоктування 2. Насадка з фіксацією 3. Гачок 4. Кнопка розблокування

УВАГА: Під час установлення насадки з фіксацією зіставте кнопку розблокування на пилососі з гачком на насадці. Якщо вони не зіставлені, насадку не буде зафіксовано, через що вона може зіскочити з пилососа.

Щоб демонтувати насадки, зніміть їх із пилососа, натиснувши й утримуючи важелі кнопки розблокування.

- **Рис.8:** 1. Кнопка розблокування 2. Важіль кнопки розблокування 3. Насадка з фіксацією 4. Усмоктувальний отвір

Під час використання насадки без фіксації

УВАГА: Щоб установити насадку без функції блокування, вставте її в отвір усмоктування на пилососі, повернувши, як показано на рисунку. Щоб зняти насадку, розблокуйте її, повернувши, як показано на рисунку. Не повертайте насадку в напрямку, протилежному стрілці на рисунку, оскільки це може послабити кріплення циклонного фільтра.

- **Рис.9**

РОБОТА

⚠ОБЕРЕЖНО: Під час роботи з пилососом не тримайте обличчя занадто близько до вентиляційного отвору. Потраплення в очі сторонніх предметів може призвести до травми.

УВАГА: Під час використання пирососа не тримайте його в горизонтальному положенні або в положенні, коли його спрямовано вгору. Недотримання цієї вказівки може привести до засмічення сітчастого фільтра.

УВАГА: Під час використання пирососа фільтри мають бути встановленими. Використання пирососа без фільтрів може привести до несправності двигуна.

УВАГА: Спорожніть корпус для збору пилу в циклонному фільтрі, коли в ньому накопичиться пил. Подальше використання може призвести до зниження сили всмоктування.

Циклонний фільтр допомагає зменшити кількість пилу, що потрапляє в пиросос, поліпшуючи ефективність усмоктування завдяки простому й зручному видаленню пилу.

Чищення (всмоктування)

Штуцер

Тільки разом із корпусом для збору пилу на 250 мл

Для чищення столів, парт, меблів тощо встановлюйте штуцер. Він легко надівається.

► **Рис.10:** 1. Штуцер

Штуцер + подовжувач (пряма труба)

Подовжувач вставляється між штуцером та пирососом. Така конструкція є зручною для чищення підлоги стоячи.

► **Рис.11:** 1. Корпус пирососа 2. Подовжувач (пряма труба) 3. Штуцер

Насадка з вузьким носиком

Для чищення кутів і щілин у салоні автомобіля або меблях установіть насадку з вузьким носиком.

► **Рис.12:** 1. Насадка з вузьким носиком 2. Корпус пирососа

Насадку з вузьким носиком можна зберігати в тримачі штуцера.

► **Рис.13:** 1. Тримач штуцера 2. Насадка з вузьким носиком

▲ОБЕРЕЖНО: Будьте обережні, щоб не защемити пальці між насадкою з вузьким носиком і тримачем штуцера. Защемлення пальців може призвести до травм.

Насадка з вузьким носиком + подовжувач (пряма труба)

Цю конструкцію слід використовувати там, де пиросос не може пройти в обмежену просторі, або у високих місцях, до яких важко дотягнутись.

► **Рис.14:** 1. Насадка з вузьким носиком 2. Подовжувач (пряма труба) 3. Корпус пирососа

Чищення без штуцера

Тільки разом із корпусом для збору пилу на 250 мл

Збирати пил можна й без штуцера.

► **Рис.15**

Для збирання пилу з підлоги в положенні стоячи до пирососа для зручності можна прикріпити подовжувач.

► **Рис.16:** 1. Подовжувач (пряма труба)

Видалення пилу

▲ОБЕРЕЖНО: Пиросос слід спорожнювати до повного заповнення, інакше силу всмоктування буде послаблено.

▲ОБЕРЕЖНО: Будьте обережні, щоб не защемити пальці між корпусом для збору пилу й корпусом циклонного фільтра під час повторного збирання.

Утилізуйте пил, як описано далі, перш ніж він накопичиться понад позначку видалення пилу.

1. Спрямуйте головку пирососа вниз, міцно візьміться за корпус для збору пилу й потягніть за нього, утримуючи кнопки розблокування з обох боків на ньому, щоб зняти корпус для збору пилу з корпусу циклонного фільтра.

► **Рис.17:** 1. Позначка видалення пилу 2. Корпус для збору пилу 3. Кнопки розблокування 4. Сітчастий фільтр

2. Спорожніть корпус для збору пилу та очистьте сітчастий фільтр від пилу.

► **Рис.18**

3. Установіть корпус для збору пилу на корпус циклонного фільтра й зафіксуйте його до клацання.

► **Рис.19:** 1. Корпус для збору пилу 2. Кнопки розблокування 3. Корпус циклонного фільтра

▲ОБЕРЕЖНО: Під час спорожнення корпусу для збору пилу пил може розлетітися. Будьте обережні, щоб пил не потрапив вам в очі.

УВАГА: Коли корпус для збору пилу забрудниться, витягніть його й промийте водою. Ретельно просушіть корпус для збору пилу перед збиранням і використанням.

УВАГА: Перед використанням упевніться, що всі насадки й компоненти надійно зафіксовані.

УВАГА: Якщо сила всмоктування не відновиться навіть після видалення пилу й очищення сітчастого фільтра, перевірте, чи не накопичився в корпусі циклонного фільтра пил і чи не утворилося в ньому засмічення.

ТЕХНІЧНЕ ОБСЛУГОВУВАННЯ

⚠ ОБЕРЕЖНО: Перед здійсненням перевірки або обслуговування завжди перевіряйте, щоб інструмент був вимкнений, а касета з акумулятором була знята.

⚠ ОБЕРЕЖНО: Важливо правильно під'єднати фільтри до пилососа. Якщо фільтри мають дірки або якщо вони неправильно під'єднані, пил може потрапити всередину корпусу двигуна. Це може спричинити поломку двигуна або займання.

УВАГА: Ніколи не використовуйте газолін, бензин, розріджувач, спирт та подібні речовини. Їх використання може призвести до зміни кольору, деформації або появи тріщин.

Для забезпечення БЕЗПЕКИ й НАДІЙНОСТІ продукції її ремонт, а також роботи з обслуговування або регулювання мають виконуватись уповноваженими або заводськими сервісними центрами Makita з використанням запчастин виробництва компанії Makita.

Після використання

⚠ ОБЕРЕЖНО: Якщо пилосос розмістити біля стіни без будь-якої іншої опори, він може впасти, пошкодитися чи спричинити травмування.

► Рис.20

Регулярне технічне обслуговування

УВАГА: Чистьте фільтри циклонного фільтра, коли вони засмічуються. Подальше використання в засміченому стані може призвести до перегрівання чи несправності двигуна.

УВАГА: Не видаляйте пил з пилососа та фільтрів за допомогою повітродувки. При цьому пил потрапляє всередину корпусу і може спричинити несправності.

Для відновлення нормальних умов роботи потрібно виконати планове технічне обслуговування.

Корпус пилососа

Протріть корпус пилососа ззовні ганчіркою, змоченою у мильній воді, і очистьте всмоктувальні отвори.

► Рис.21

Циклонний фільтр та інші фільтри

УВАГА: Якщо ефективність усмоктування знизилася й це не пов'язано з кількістю пилу в корпусі для збору пилу, видаліть пил із циклонного та інших фільтрів і почистьте їх зсередини.

УВАГА: Після промивання фільтрів висушіть їх перед використанням. Вологий фільтр може стати причиною послаблення всмоктування та скорочення терміну служби двигуна.

УВАГА: Почистивши фільтри й губчастий лист, повторно встановіть їх, перш ніж починати використання. Під час експлуатації пилососа без фільтрів і губчастого листа пил потрапляє до корпусу двигуна та спричиняє несправності.

Циклонний фільтр

1. Злегка стукніть по циклонному фільтру кілька разів рукою, щоб прибрати залишки бруду з внутрішніх поверхонь циклонного та інших фільтрів.

► Рис.22: 1. Циклонний фільтр

2. Спрямувавши отвір усмоктування вниз, поверніть циклонний фільтр, як показано на рисунку, сумістивши покажчик на ньому з покажчиком на корпусі пилососа, щоб розблокувати замок. Потім повільно від'єднайте циклонний фільтр від корпусу пилососа, тримаючи його прямо.

► Рис.23: 1. Циклонний фільтр 2. Усмоктувальний отвір 3. Покажчики 4. Фільтр

ПРИМІТКА: Під час демонтажу циклонного фільтра може здійснитися пил. Рекомендуємо помістити мішок для сміття під циклонним фільтром.

3. Видаліть пил зсередини циклонного фільтра та інших фільтрів.

► Рис.24

4. Установіть циклонний фільтр на корпус пилососа, сумістивши покажчик на циклонному фільтрі з покажчиком на корпусі пилососа. Поверніть циклонний фільтр, як показано на рисунку, щоб зафіксувати його.

► Рис.25: 1. Циклонний фільтр 2. Корпус пилососа 3. Покажчики

Фільтр підвищеної ефективності

Додаткове приладдя

1. Зніміть циклонний фільтр із корпусу пилососа.

2. Утримуючи високоефективний фільтр за кінець, що слугує для встановлення, зніміть його з корпусу пилососа.

► Рис.26: 1. Фільтр підвищеної ефективності 2. Корпус пилососа

3. Видаліть рукою пил із високоефективного фільтра.

► Рис.27

4. Промийте високоефективний фільтр у мильній воді, якщо він засмічений пилом чи брудом. Перед використанням його слід ретельно висушити в тіні.

► Рис.28

ПРИМІТКА: Не затягуйте монтажний кінець (гумове ущільнювальне кільце) високоєфективного фільтра, коли сушите його.

5. Утримуючи високоєфективний фільтр за кінець, що слугує для встановлення, просуньте його в корпус пілососа.

► **Рис.29:** 1. Фільтр підвищеної ефективності
2. Корпус пілососа

Фільтр HEPA

Додаткове приладдя

УВАГА: Не тріть і не дряпайте фільтр HEPA твердими предметами, наприклад щіткою або лопаткою.

1. Зніміть циклонний фільтр із корпусу пілососа.
2. Утримуючи фільтр HEPA (закритий високоєфективним фільтром попереднього очищення) за кінець, що слугує для встановлення, зніміть його з корпусу пілососа.

► **Рис.30:** 1. Фільтр HEPA (закритий високоєфективним фільтром попереднього очищення) 2. Корпус пілососа

3. Зніміть високоєфективний фільтр попереднього очищення з фільтра HEPA, повернувши його рукою.

► **Рис.31:** 1. Високоєфективний фільтр попереднього очищення 2. Фільтр HEPA

4. Видаліть рукою пил із високоєфективного фільтра попереднього очищення й фільтра HEPA.

► **Рис.32**

5. Промийте високоєфективний фільтр попереднього очищення й фільтр HEPA у мильній воді. Перед використанням їх слід промити й ретельно висушити в тіні.

► **Рис.33**

ПРИМІТКА: Не затягуйте монтажний кінець (гумове ущільнювальне кільце) фільтра HEPA, коли сушите його.

6. Установіть високоєфективний фільтр попереднього очищення на фільтр HEPA.

► **Рис.34:** 1. Високоєфективний фільтр попереднього очищення 2. Фільтр HEPA

7. Утримуючи фільтр HEPA (закритий високоєфективним фільтром попереднього очищення) за кінець, що слугує для встановлення, просуньте його в корпус пілососа.

► **Рис.35:** 1. Фільтр HEPA (закритий високоєфективним фільтром попереднього очищення) 2. Корпус пілососа

Губчастий лист

1. Зніміть циклонний фільтр із корпусу пілососа.

2. Утримуючи фільтр за кінець, що слугує для встановлення, зніміть його з корпусу пілососа.

► **Рис.36:** 1. Фільтр 2. Корпус пілососа

3. Вийміть губчастий лист з отвору всмоктування.

► **Рис.37:** 1. Губчастий лист 2. Отвір усмоктування

4. Потріть губчастий лист і струсіть із нього пил

рукою.

► **Рис.38**

5. Промийте губчастий лист у мильній воді, якщо він засмічений пилом чи брудом. Перед використанням його слід ретельно висушити в тіні.

► **Рис.39**

6. Установіть губчастий лист у початкове положення. Упевніться, що лівий і правий краї губчастого листа зафіксовані стопорами, і що губчастий лист щільно закриває отвір усмоктування.

► **Рис.40:** 1. Губчастий лист 2. Стопор 3. Отвір усмоктування

7. Утримуючи фільтр за кінець, що слугує для встановлення, просуньте його в корпус пілососа.

► **Рис.41:** 1. Фільтр 2. Корпус пілососа

Обслуговування, зумовлене технічним станом

УВАГА: Чистьте сітчастий фільтр циклонного фільтра, коли він засмічується. Подальше використання в засміченому стані може призвести до перегрівання чи несправності двигуна.

Повне й ретельне чищення потрібно виконувати залежно від характеристик роботи пристрою.

Сітчастий фільтр

Коли забрудниться корпус для збору пилу чи засмітиться сітчастий фільтр, витягніть і промийте їх водою. (Процедуру видалення див. у розділі «Утилізація пилу».)

1. Міцно візьміться за корпус для збору пилу й потягніть за нього, утримуючи кнопки розблокування з обох боків на ньому, щоб зняти корпус для збору пилу з корпусу циклонного фільтра.

► **Рис.42:** 1. Корпус для збору пилу 2. Корпус циклонного фільтра 3. Кнопки розблокування

2. Поверніть сітчастий фільтр, як показано на рисунку, щоб розблокувати замок. Потім зніміть його з корпусу циклонного фільтра.

► **Рис.43:** 1. Сітчастий фільтр

3. Розберіть сітчастий фільтр на три компоненти: фільтр попереднього очищення, трубчато-губчастий фільтр і сітчасту трубку.

i Притисніть напрямні стопори у верхній частині сітчастої трубки один до одного.

ii Просуньте напрямні стопори вниз крізь напрямний отвір угорі фільтра попереднього очищення.

iii Витягніть фільтр попереднього очищення через трубчастий губчастий фільтр і сітчасту трубку.

iv Вийміть трубчастий губчастий фільтр із сітчастої трубки.

► **Рис.44:** 1. Фільтр попереднього очищення
2. Трубчастий губчастий фільтр
3. Сітчаста трубка 4. Направні стопори
5. Направний отвір

4. Потріть фільтри й сітчасту трубку та струсіть із них пил рукою.

► **Рис.45**

5. Промийте фільтри й сітчасту трубку в мильній воді, якщо вони засмічені пилом чи брудом. Перед використанням їх слід ретельно висушити в тіні.

► **Рис.46**

6. Зберіть сітчастий фільтр.

i Вставте трубчастий губчастий фільтр у фільтр попереднього очищення.

ii Вставте сітчасту трубку в трубчастий губчастий фільтр і фільтр попереднього очищення, пропускаючи напрямні стопори у верхній частині сітчастої трубки крізь напрямний отвір у верхній частині фільтра попереднього очищення.

iii Просувайте сітчасту трубку крізь трубчастий губчастий фільтр і фільтр попереднього очищення, доки вона не зафіксується з клацанням.

► **Рис.47:** 1. Фільтр попереднього очищення
2. Трубчастий губчастий фільтр
3. Сітчаста трубка 4. Направні стопори
5. Направний отвір

7. Закріпіть сітчастий фільтр у корпусі циклонного фільтра, сумістивши гачки на сітчастому фільтрі з пазами отвору всмоктування на корпусі циклонного фільтра. Повертайте сітчастий фільтр, як показано на рисунку, до фіксації гачків, що супроводжується клацанням. Переконайтеся в тому, що сітчастий фільтр надійно зафіксовано.

► **Рис.48:** 1. Сітчастий фільтр 2. Корпус циклонного фільтра 3. Гачок 4. Отвір

Вентиляційні канали циклонного фільтра

Сторонні речовини, які потрапляють у пристрій, можуть заблокувати вентиляційні канали циклонного фільтра й порушити циркуляцію повітря. Приберіть

усі перешкоди з вентиляційного каналу, якщо потужність усмоктування значно порушилася.

1. Розберіть циклонний фільтр на три компоненти: корпус для збору пилу, сітчастий фільтр і корпус циклонного фільтра.

► **Рис.49:** 1. Корпус для збору пилу 2. Сітчастий фільтр 3. Корпус циклонного фільтра 4. Корпус пилососа

2. Натисніть і втримуйте напрямний стопор на впускній трубі крізь отвір блокування на корпусі циклонного фільтра за допомогою ручного інструмента з точкою на кінці. Від'єднайте впускну трубу від корпусу циклонного фільтра.

► **Рис.50:** 1. Впускна труба 2. Направний стопор 3. Корпус циклонного фільтра 4. Отвір блокування

3. Очистьте вентиляційні канали від усіх сторонніх предметів.

Сторонні предмети можуть застрягати навколо впускного вентиляційного отвору.

► **Рис.51:** 1. Усмоктувальний отвір 2. Впускний вентиляційний отвір

4. Вставте впускну трубу на місце таким чином, щоб вона надійно зафіксувалася.

► **Рис.52:** 1. Впускна труба 2. Корпус циклонного фільтра 3. Ущільнювальне кільце 4. Відкидний клапан

УВАГА: Упевніться, що ущільнювальне кільце й відкидний клапан надійно зафіксовані, перш ніж виконувати збирання. Потужність усмоктування може порушитися, якщо циклонний фільтр працюватиме без установлених ущільнювального кільця й відкидного клапана.

5. Повторно зберіть циклонний фільтр і прикріпіть його до корпусу пилососа.

Усунення несправностей

Перш ніж здавати прилад до ремонту, слід перевірити такі моменти.

Несправність	Що треба перевірити	Спосіб усунення несправності
Недостатня потужність усмоктування	Корпус для збору пилу або внутрішня частина циклонного фільтра заповнені пилом?	Спорожніть корпус для збору пилу чи циклонний фільтр.
	Фільтри засмічені?	Витрусіть пил або промийте високоефективний фільтр / фільтр HEPA / губчастий лист / сітчастий фільтр.
	Щось блокує впускні вентиляційні канали?	Очистьте вентиляційні отвори й канали від пилу й сторонніх предметів.
	Чи не розряджена касета з акумулятором?	Зарядіть касету з акумулятором.
Пристрій не працює	Чи не розряджена касета з акумулятором?	Зарядіть касету з акумулятором.
Шум і вібрація	Фільтри засмічені?	Витрусіть пил або промийте високоефективний фільтр / фільтр HEPA / губчастий лист / сітчастий фільтр.
	Чи не заблоковано отвори?	Видаліть пил та будь-які предмети з насадок, труб та повітряних отворів.
	Чи не закритий усмоктувальний отвір насадки або труби?	Відкрийте усмоктувальний отвір насадки й труби.

⚠ ОБЕРЕЖНО: Не намагайтеся відремонтувати пилосос самотужки.

ДОДАТКОВЕ ПРИЛАДДЯ

⚠ ОБЕРЕЖНО: Це додаткове та допоміжне обладнання рекомендовано використовувати з інструментом Makita, зазначеним у цій інструкції з експлуатації. Використання будь-якого іншого додаткового та допоміжного обладнання може становити небезпеку травмування. Використовуйте додаткове та допоміжне обладнання лише за призначенням.

У разі необхідності отримати допомогу в більш детальному ознайомленні з оснащенням звертайтеся до місцевого сервісного центру Makita.

- Подовжувач (пряма труба)
- Штуцер
- Штуцер для килима
- Щітка для полиць
- Насадка з вузьким носиком
- Кругла щітка
- Гнучкий шланг
- Фільтр підвищеної ефективності
- Фільтр HEPA
- Насадка для очищення сидіння
- Сопло для чищення щілин
- Циклонний фільтр
- Сумка для інструмента
- Оригінальний акумулятор та зарядний пристрій Makita

ПРИМІТКА: Деякі елементи списку можуть входити до комплекту інструмента як стандартне приладдя. Вони можуть відрізнятися залежно від країни.

AVERTIZARE

- Acest aparat poate fi utilizat de copii cu vârsta de cel puțin 8 ani și de persoanele cu capacități fizice, senzoriale sau mentale reduse, sau lipsite de experiență și cunoștințe doar dacă sunt supravegheate sau au fost instruite cu privire la utilizarea aparatului în siguranță și dacă înțeleg pericolele implicate.
- Copiii nu au voie să folosească acest aparat ca jucărie. Curățarea și întreținerea nu vor fi efectuate de copii nesupravegheați.
- Consultați capitolul „SPECIFICAȚII” pentru referința tipului de acumulator.
- Consultați secțiunea „Instalarea sau scoaterea cartușului acumulatorului” pentru modul de scoatere sau de instalare a acumulatorului.
- Atunci când eliminați la deșeuri cartușul acumulatorului, scoateți-l din mașină și eliminați-l într-un loc sigur. Respectați normele dumneavoastră locale privind eliminarea la deșeuri a acumulatorului.
- Dacă mașina nu este utilizată o perioadă lungă de timp, acumulatorul trebuie scos din aceasta.
- Nu scurtcircuitați cartușul acumulatorului.
- Consultați capitolul „ÎNTREȚINERE” pentru detaliile necesare privind precauțiile în timpul lucrărilor de întreținere efectuate de utilizator.

SPECIFICAȚII

Model:		DCL286F
Capacitate		250 ml / 400 ml (diferă în funcție de țară)
Utilizare continuă (cu baterie BL1830B)	1 (Mod silențios)	Aprox. 38 min
	2 (Mod viteză normală)	Aprox. 21 min
	3 (Mod viteză ridicată)	Aprox. 15 min
	4 (Mod viteză max.)	Aprox. 8 min
Lungime totală (cu teavă, duză și acumulator BL1830B)		1.106 mm
Tensiune nominală		18 V cc.
Greutate netă		1,6 - 2,0 kg

- Datorită programului nostru continuu de cercetare și dezvoltare, specificațiile pot fi modificate fără o notificare prealabilă.
- Specificațiile pot varia în funcție de țară.
- Greutatea nu include accesoriile, ci cartușul(ele) acumulatorului. Greutatea combinată cea mai mică și cea mai mare a aparatului și cartușului(elor) acumulatorului sunt prezentate în tabel.

Cartușul acumulatorului și încărcătorul aplicabile

Cartușul acumulatorului	BL1815N / BL1820B / BL1830B / BL1840B / BL1850B / BL1860B
Încărcător	DC18RC / DC18RD / DC18RE / DC18SD / DC18SE / DC18SF / DC18SH / DC18WC

- Este posibil ca unele cartușe ale acumulatorilor și încărcătoare menționate mai sus să nu fie disponibile în funcție de regiunea dvs. de reședință.

⚠️ AVERTIZARE: Utilizați numai cartușele de acumulator și încărcătoarele enumerate mai sus. Utilizarea oricăror altor cartușe de acumulator și încărcătoare poate duce la rănire și/sau incendiu.

Simboluri

Mai jos sunt prezentate simbolurile care pot fi utilizate pentru echipament. Asigurați-vă că înțelegeți sensul acestora înainte de utilizare.



Un acumulator reprezentativ aplicabil pentru acest produs.



Citiți manualul de utilizare.



Doar pentru țările din cadrul UE
Din cauza prezenței componentelor periculoase în echipament, deșeurile de echipamente electrice și electronice, acumulatorii și bateriile pot avea un efect negativ asupra mediului și sănătății umane.

Nu eliminați aparatele electrice și electronice sau bateriile împreună cu gunoiul menajer!

În conformitate cu Directiva europeană privind deșeurile de echipamente electrice și electronice, acumulatorii, bateriile și deșeurile de acumulatori și baterii, precum și cu adaptarea sa în legislația națională, deșeurile de echipamente electrice, de baterii și de acumulatori trebuie depozitate separat și eliminate la un centru de colectare separat pentru deșeurile municipale, care respectă reglementările privind protecția mediului.

Acest lucru este indicat prin simbolul care reprezintă o pubeză cu roți barată cu o cruce, aplicat pe echipament.

Destinația de utilizare

Acest aparat este destinat colectării prafului uscat.

AVERTIZĂRI DE SIGURANȚĂ

Avertismente privind siguranța pentru aspiratorul cu acumulator

⚠️ AVERTIZARE: IMPORTANT CITIȚI CU ATENȚIE toate avertizările de siguranță și toate instrucțiunile ÎNAINTE DE UTILIZARE. Nerespectarea acestor avertismente și instrucțiuni poate avea ca rezultat electrocutarea, incendiul și/ sau rănirea gravă.

1. Nu expuneți la ploaie. Depozitați în spații interioare.
2. Nu permiteți utilizarea acestuia ca jucărie. Acordați atenție utilizării acestuia de către copii sau în apropierea copiilor.
3. Utilizați doar în modul descris în acest manual. Utilizați doar accesoriile recomandate de producător.
4. Nu folosiți cu un acumulator uzat. În cazul în care aparatul nu funcționează corespunzător, a suferit șocuri, este deteriorat, a fost depozitat în exterior sau a fost scăpat în apă, returnați-l la un centru de service.
5. Nu manipulați aparatul cu mâinile umede.
6. Nu introduceți obiecte în orificii. A nu se utiliza cu orificiile blocate; feriți de praf, scame, păr și orice alte materiale care pot obstrucționa fluxul de aer.
7. Nu vă apropiați părul, hainele largi, degetele și celelalte părți ale corpului de deschideri și de piesele mobile.
8. Dezactivați toate comenzile înainte de a scoate acumulatorul.

9. Acordați atenție specială la curățarea pe trepte.
10. Nu utilizați la colectarea unor lichide inflamabile sau combustibile, cum ar fi benzina și nu utilizați în zone în care acestea ar putea fi prezente.
11. Utilizați doar încărcătorul furnizat de producător pentru reîncărcare.
12. Nu colectați obiecte care ard sau fumegă, cum ar fi țigări, chibrituri sau cenușă fierbinte.
13. Nu utilizați fără sac de praf și/sau filtre montate.
14. Nu încărcați acumulatorul în exterior.
15. Efectuați reîncărcarea numai cu încărcătorul specificat de producător. Un încărcător adecvat pentru un anumit tip de acumulator poate prezenta risc de incendiu dacă este utilizat cu alt tip de acumulator.
16. Folosiți aparatele numai cu grupurile de acumulatori special destinate acestora. Utilizarea altor grupuri de acumulatori poate prezenta risc de rănire și de incendiu.
17. Când nu folosiți acumulatorul, țineți-l la distanță de obiecte metalice precum agrafe de birou, monede, chei, cuie, suruburi sau alte obiecte metalice mici, ce pot constitui o legătură între cele două borne.
18. În condiții extreme, lichidul poate fi eliminat din acumulator; evitați contactul cu acesta. Dacă intrați în contact accidental, clătiți bine cu apă zona afectată.
19. Nu utilizați un grup de acumulatori sau un aparat care este deteriorat ori modificat. Acumulatorii deteriorați sau modificați pot prezenta un comportament imprevizibil, ce poate cauza incendii, explozii sau pericol de rănire.
20. Nu expuneți un grup de acumulatori sau aparatul la foc sau la temperaturi excesive. Expunerea la foc sau la temperaturi mai mari de 130 °C poate cauza explozii.
21. Urmăți toate instrucțiunile de încărcare și nu încărcați grupul de acumulatori sau aparatul la temperaturi care nu se încadrează în intervalul specificat în instrucțiuni. Încărcarea incorectă sau la temperaturi care nu se încadrează în intervalul specificat poate cauza deteriorarea acumulatorului și creșterea riscului de incendiu.

PĂSTRAȚI ACESTE INSTRUCȚIUNI.

NORME SUPLIMENTARE DE SECURITATE

Acest aparat este destinat doar uzului casnic.

1. Înainte de utilizare, citiți cu atenție acest manual de instrucțiuni și manualul de instrucțiuni al încărcătorului.
2. Nu aspirați următoarele materiale:
 - Substanțele fierbinți care ard sau scot fum (țigarete, chibrituri, bețișoare parfumate, lumânări, cenușă fierbinte), scântele și particulele de praf de metal generate în urma tăierii sau a polizării metalului

etc.

- Lichide inflamabile (kerosen, benzină, solvenți precum neofalină, diluant etc.)
- Materiale inflamabile (colorant, vopsea, spray etc.)
- Substanțe explozive sau piroforice (nitroglicerină, aluminiu, magneziu, titan, zinc, fosfor roșu, fosfor galben, celuloză etc. și particulele, gazele sau aburii lor)
- Murdărie lichidă, uleioasă, umedă sau gunoi umed, inclusiv vomă și excremente
- Obiecte dure cu margini ascuțite (așchii de lemn, metale, pietre, sticlă, cuie, ace, lame sau tacâmuri)
- Pulbere fină de solidificare și conductoare (pulbere de metal sau pudră carbonică)
- Spumă sub forma agenților de curățare a covoarelor etc. (care ar putea cauza explozii sau incendii)
- Cantitate mare de pulbere (făină, pulbere pentru stingerea incendiilor etc.)
- Substanțe care provoacă simptome toxice
- Substanțe chimice agresive (acid, alcalii etc.)
- Pulbere fină de legare, precum ciment
- Particule fine, precum praful de beton
- Desiccanți
- Azbest
- Pesticide

O astfel de acțiune poate cauza incendii, accidente și/sau daune.

Pentru a reduce expunerea la aceste substanțe chimice purtați întotdeauna un echipament de protecție respiratorie omologat, cum ar măști de protecție împotriva prafului, care sunt special concepute pentru a filtra particulele microscopice. Îndepărtați aerul de evacuare de fața și corpul dumneavoastră.

3. **Întrerupeți lucrul imediat dacă observați orice anomalie.**
4. **Dacă scăpați pe jos sau loviți aspiratorul, înainte de utilizare verificați-l cu atenție în privința fisurării sau deteriorării.**
5. **Nu țineți în apropierea sobelor sau a altor surse de căldură.**
6. **Nu obturați orificiile de admisie sau de ventilație.**

PĂSTRAȚI ACESTE INSTRUCȚIUNI.

Instrucțiuni importante privind siguranța pentru cartușul acumulatorului

1. Înainte de a folosi cartușul acumulatorului, citiți toate instrucțiunile și atenționările de pe (1) încărcătorul acumulatorului, (2) acumulator și (3) produsul care folosește acumulatorul.
2. Nu dezasamblați și nu interveniți asupra cartușului acumulatorului. Acest lucru poate cauza

incendii, căldură excesivă sau explozii.

3. **Dacă timpul de funcționare s-a redus excesiv, întrerupeți imediat funcționarea. Aceasta poate prezenta risc de supraîncălzire, posibile arsuri și chiar explozie.**
4. **Dacă electrolitul pătrunde în ochi, clătiți bine ochii cu apă curată și consultați imediat un medic. Există risc de orbire.**
5. **Nu scurtcircuitați cartușul acumulatorului:**
 - (1) Nu atingeți bornele cu niciun material conductor.
 - (2) Evitați depozitarea cartușului acumulatorului la un loc cu alte obiecte metalice cum ar fi cuie, monede etc.
 - (3) Nu expuneți cartușul acumulatorului la apă sau ploaie.

Un scurtcircuit al acumulatorului poate provoca un flux puternic de curent electric, supraîncălzire, posibile arsuri și chiar defectarea mașinii.

6. **Nu depozitați și nu utilizați mașina și cartușul acumulatorului în locuri în care temperatura poate atinge sau depăși 50 °C (122 °F).**
7. **Nu incinerati cartușul acumulatorului chiar dacă acesta este grav deteriorat sau complet uzat. Cartușul acumulatorului poate exploda în foc.**
8. **Nu introduceți cuie în cartușul acumulatorului, nu îl tăiați, striviți, aruncați sau scăpați și nu îl loviți cu un obiect dur. Astfel de acțiuni pot provoca incendii, căldură excesivă sau explozii.**
9. **Nu utilizați un acumulator deteriorat.**

10. **Acumulatorii Li-Ion încorporați se supun cerințelor Legiștilor privind substanțele periculoase.**

Pentru transporturi comerciale, efectuate de exemplu de către părți terțe, expeditorii, trebuie respectate cerințele speciale de ambalare și etichetare.

Pentru pregătirea articolului care urmează să fie expediat, este necesară consultarea unui expert în materiale periculoase. Vă rugăm să respectați, de asemenea, reglementările naționale, care pot fi mai detaliate.

Izolați sau acoperiți contactele deschise și împachetați acumulatorul în așa fel încât să nu se poată mișca în ambalaj.

11. **Atunci când eliminați la deșeurile cartușul acumulatorului, scoateți-l din mașină și eliminați-l într-un loc sigur. Respectați normele naționale privind eliminarea la deșeurile a acumulatorului.**
12. **Utilizați acumulatoroarele numai cu produsele specificate de Makita. Instalarea acumulatoroarelor în produse neconforme poate cauza incendii, căldură excesivă, explozii sau scurgeri de electrolit.**
13. **Dacă mașina nu este utilizată o perioadă lungă de timp, acumulatorul trebuie scos din acesta.**
14. **În timpul utilizării și după aceea, cartușul acumulatorului se poate încălzi, ceea ce poate cauza arsuri sau arsuri la temperaturi scăzute. Fiți atenți la manipularea cartușelor de acumulator atunci când sunt fierbinți.**
15. **Nu atingeți borna mașinii imediat după**

utilizare, întrucât se poate încălzi foarte tare și poate provoca arsuri.

16. Nu lăsați să pătrundă așchii, praf sau pământ în borne, în orificii și în canelurile cartușului acumulatorului. Acest lucru poate provoca încălzirea, aprinderea, explozia și defectarea mașinii sau a cartușului acumulatorului, cauzând arsuri sau vătămări corporale.
17. Nu utilizați cartușul acumulatorului în apropierea liniilor electrice de înaltă tensiune, cu excepția cazului în care mașina suportă utilizarea în apropierea liniilor electrice de înaltă tensiune. Acest lucru poate duce la funcționarea necorespunzătoare sau la defectarea mașinii sau a cartușului acumulatorului.
18. Țineți acumulatorul la distanță de copii.

PĂSTRAȚI ACESTE INSTRUCȚIUNI.

ATENȚIE: Folosiți numai acumulatori Makita originali. Acumulatorii Makita care nu sunt originali și acumulatorii care au suferit modificări se pot aprinde, provocând incendii, leziuni corporale și daune. De asemenea, anulează garanția oferită de Makita pentru unealta și încărcătorul Makita.

Sfaturi pentru obținerea unei durate maxime de exploatare a acumulatorului

1. Încărcați cartușul acumulatorului înainte de a se descărca complet. Întrerupeți întotdeauna funcționarea mașinii și încărcați cartușul acumulatorului când observați o scădere a puterii mașinii.
2. Nu reîncărcați niciodată un acumulator complet încărcat. Supraîncărcarea va scurta durata de exploatare a acumulatorului.
3. Încărcați cartușul acumulatorului la temperatura camerei, între 10 °C - 40 °C (50 °F - 104 °F). Lăsați un acumulator fierbinte să se răcească înainte de a-l încărca.
4. Atunci când nu utilizați cartușul acumulatorului, scoateți-l din mașină sau din încărcător.
5. Încărcați cartușul acumulatorului în cazul în care nu a fost utilizat pe o perioadă mai lungă (mai mult de șase luni).

DESCRIEREA FUNCȚIILOR

ATENȚIE: Asigurați-vă întotdeauna că mașina este oprită și cartușul acumulatorului este scos înainte de a ajusta sau verifica funcționarea mașinii.

ATENȚIE: Aveți grijă ca la încărcarea bateriei să nu vă prindeți degetul(ele) între aspirator și baterie așa cum se arată în imagine. Prinderea degetului(elor) poate provoca vătămări.

► Fig.1

Instalarea sau scoaterea cartușului acumulatorului

ATENȚIE: Opriti întotdeauna mașina înainte de montarea sau demontarea cartușului de acumulator.

ATENȚIE: Țineți ferm mașina și cartușul acumulatorului la montarea sau demontarea cartușului. În cazul în care nu țineți ferm mașina și cartușul de acumulator, acestea vă pot aluneca din mâini, rezultând defectarea mașinii și cartușului de acumulator, precum și în accidentări personale.

Pentru a scoate cartușul acumulatorului, glisați-l din mașină în timp ce glisați butonul de pe partea frontală a cartușului.

► Fig.2: 1. Indicator roșu 2. Buton 3. Cartușul acumulatorului

Pentru a monta cartușul acumulatorului, aliniați limba de pe cartușul acumulatorului cu canelura din carcasă și introduceți-l în locaș. Introduceți-l complet, până când se înclichetează în locaș. Dacă vedeți indicatorul roșu, astfel cum se arată în imagine, acesta nu este blocat complet.

ATENȚIE: Instalați întotdeauna cartușul acumulatorului complet, până când indicatorul roșu nu mai este vizibil. În caz contrar, acesta poate cădea accidental din mașină provocând rănirea dumneavoastră sau a persoanelor din jur.

ATENȚIE: Nu forțați cartușul acumulatorului la montare. Dacă acesta nu glicează ușor, înseamnă că a fost introdus incorect.

Sistem de protecție mașină/acumulator

Mașina este prevăzută cu un sistem de protecție mașină/acumulator. Acest sistem întrerupe automat alimentarea motorului pentru a extinde durata de funcționare a mașinii și acumulatorului. Mașina se va opri automat în timpul funcționării dacă mașina sau acumulatorul se află într-una din situațiile următoare.

Suprasarcină:

Mașina/acumulatorul este utilizat(ă) într-o manieră care determină atragerea unui curent de o intensitate anormal de ridicată.

În această situație, opriti mașina și aplicația care a dus la suprasolicitarea mașinii. Apoi reporniți mașina.

Supraîncălzire:

Mașina/acumulatorul este supraîncălzit(ă). În această situație, lăsați mașina/acumulatorul să se răcească înainte de a reporni mașina.

Tensiune scăzută acumulator:

Capacitatea rămasă a acumulatorului este prea mică, iar mașina nu va funcționa. În această situație, scoateți și reîncărcați acumulatorul.

Măsuri de protecție împotriva altor cauze:

Sistemul de protecție este, de asemenea, conceput pentru alte cauze care ar putea deteriora mașina și permite mașinii să se oprească automat. Parcurgeți toți pașii următori pentru a elimina cauzele, atunci când

mașina a fost oprită temporar sau a fost scoasă din funcțiune.

1. Opriți mașina, apoi porniți-o din nou pentru a reporni.
2. Încărcați acumulatorul (acumulatorii) sau înlocuiți-l (înlocuiți-i) cu un acumulator (acumulatori) încărcat (încărcați).
3. Lăsați mașina și acumulatorul (acumulatorii) să se răcească.

Dacă nu se poate observa nicio îmbunătățire prin resetarea sistemului de protecție, contactați centrul local de service Makita.

Indicarea capacității rămase a acumulatorului

Numai pentru cartușe de acumulator cu indicator

Apăsăți butonul de verificare de pe cartușul acumulatorului, astfel încât să se indice capacitățile rămase ale acumulatorului. Lămpile indicatorului vor lumina timp de câteva secunde.

► **Fig.3:** 1. Lămpi indicatoare 2. Buton de verificare

Lămpi indicatoare			Capacitate rămasă
Iluminat	Oprit	Iluminare intermitentă	
■	□	◐	între 75% și 100%
■ ■ ■ ■			
■ ■ ■	□		între 50% și 75%
■ ■	□ □		între 25% și 50%
■	□ □ □		între 0% și 25%
◐	□ □ □		Încărcați acumulatorul.
■ ■ □ □	□ □		Este posibil ca acumulatorul să fie defect.
□ □ ■ ■			

NOTĂ: În funcție de condițiile de utilizare și temperatura ambientală, indicația poate fi ușor diferită de capacitatea reală.

NOTĂ: Prima lampă indicatoare (extremitatea stângă) va lumina intermitent când sistemul de protecție a acumulatorului funcționează.

Aționarea întrerupătorului

- **Fig.4:** 1. Buton de schimbare a puterii de aspirație
2. Buton ON/OFF (Pornire/Oprire)

Pentru a porni aspiratorul, trebuie doar să apăsați pe butonul ON/OFF (Pornire/Oprire). Pentru a opri aspiratorul, apăsați din nou butonul ON/OFF (Pornire/Oprire). Puteți schimba puterea de aspirație a aspiratorului în patru etape, apăsând butonul de schimbare a puterii de aspirație. Fiecare apăsare a acestui buton repetă modulurile Silențios/Normal/Ridicat/Max. într-un ciclu.

Nivel	Indicație	Mod
1	☰	Mod silențios
2	☷	Mod viteză normală
3	☶	Mod viteză ridicată
4	☵	Mod viteză max.

NOTĂ: Puteți schimba puterea de aspirație înainte de a porni aspiratorul.

NOTĂ: Aspiratorul începe să funcționeze cu aceeași putere de aspirație care a fost setată pentru utilizarea anterioară.

Aprinderea lămpii

⚠ATENȚIE: Nu priviți direct în raza sau în sursa de lumină.

Pentru a aprinde lampa, apăsați butonul de schimbare a puterii de aspirație. Lampa se stinge în aproximativ 10 secunde.

În timp ce aspiratorul este în funcțiune, lampa se aprinde.

Lampa se stinge în aproximativ 10 secunde după oprirea utilizării.

NOTĂ: Când capacitatea rămasă a acumulatorului se reduce, lampa începe să lumineze intermitent. Momentul în care lampa începe să lumineze intermitent depinde de temperatura din zona de lucru și de starea cartușului acumulatorului.

- **Fig.5:** 1. Buton de schimbare a puterii de aspirație
2. Buton ON/OFF (Pornire/Oprire) 3. Lampă

DESCRIERE COMPONENTE

► **Fig.6**

1	Cutie pentru praf de 250 ml (accesoriu opțional)	2	Cutie pentru praf de 400 ml (accesoriu opțional)	3	Filtru cu găuri	4	Corpul ciclonului
5	Filtru de performanță ridicată (Cadru filtru de culoare gri) (Accesoriu opțional)	6	Filtru HEPA (Cadru filtru de culoare albă) (Accesoriu opțional)	7	Foaie de burete	8	Corp aspirator

9	Curea de mână (diferă în funcție de țară)	-	-	-	-	-
---	---	---	---	---	---	---

ASAMBLARE

ATENȚIE: Asigurați-vă întotdeauna că mașina este oprită și cartușul acumulatorului este scos înainte de a executa orice lucrări la mașină.

ATENȚIE: Asigurați-vă că atașați în mod corespunzător filtrele la aspirator. Filtrele cu găuri sau cele care nu sunt atașate în mod corespunzător pot permite prafului să intre în carcasa motorului. Acest lucru poate cauza defectarea motorului sau incendiul.

NOTĂ: Asigurați-vă că toate accesoriile și componentele sunt fixate în mod corespunzător înainte de utilizare.

Montarea și demontarea accesoriilor de aspirare

ATENȚIE: După montarea accesoriilor, verificați dacă acestea sunt fixate ferm. În cazul în care accesoriile sunt montate necorespunzător, acestea se pot desprinde, cauzând vătămări corporale.

ATENȚIE: Fiți atent să nu vă loviți cu mâna de perete etc. atunci când demontați accesoriile.

Când utilizați accesoriul cu funcție de blocare

Pentru a monta accesoriul, introduceți-l în orificiul de aspirație al aspiratorului până auziți un clic. Asigurați-vă că accesoriul este blocat.

► **Fig.7:** 1. Orificiu de aspirație 2. Accesoriu cu funcție de blocare 3. Cârlig 4. Buton de eliberare

NOTĂ: Atunci când montați accesoriul cu funcție de blocare, asigurați-vă că aliniați butonul de eliberare de pe aspirator cu cârligul de pe accesoriu. Dacă acestea nu sunt aliniate, accesoriul nu se va bloca și se poate desprinde de pe aspirator.

Pentru a scoate accesoriul, trageți-l din aspirator în timp ce apăsați și țineți apăsată brațele butonului de eliberare.

► **Fig.8:** 1. Buton de eliberare 2. Brațul butonului de eliberare 3. Accesoriu cu funcție de blocare 4. Orificiu de aspirație

Când utilizați accesoriul fără funcție de blocare

NOTĂ: Pentru a conecta un accesoriu fără funcție de blocare, introduceți-l în orificiul de aspirație al aspiratorului prin rotire, astfel cum se arată în figură. Pentru a detașa accesoriul, eliberați-l din aspirator prin rotire, astfel cum se arată în figură. Evitați rotirea accesoriului în direcția opusă săgeții din figură, deoarece se poate slăbi unitatea ciclon.

► **Fig.9**

OPERAREA

ATENȚIE: Nu vă apropiați fața de fanta de ventilație în timp ce aspiratorul funcționează. Dacă materialul suflat ajunge în ochi, este posibil ca acest lucru să provoace vătămări corporale.

NOTĂ: Evitați utilizarea aspiratorului într-o poziție orizontală sau orientat în sus. În caz contrar, filtrul cu găuri se poate înfunda.

NOTĂ: Utilizați întotdeauna aspiratorul cu filtrele montate. Utilizarea aspiratorului fără filtre poate duce la o defecțiune a motorului.

NOTĂ: Goliți cutia pentru praf din unitatea ciclon atunci când s-a acumulat praf. Continuarea utilizării va provoca diminuarea forței de aspirare.

Unitatea ciclon ajută la reducerea cantității de praf care intră în aspirator, îmbunătățind performanța de aspirare prin eliminarea simplă și ușoară a prafului.

Curățarea (Aspirarea)

Duză

Doar cu cutie pentru praf de 250 ml

Montați duza pentru a curăța mesele, birourile, mobila etc. Duza alunecă foarte ușor.

► **Fig.10:** 1. Duză

Duză + Tub de extensie (Țeavă dreaptă)

Tubul de extensie se montează între duză și aspiratorul propriu-zis. Această configurație este confortabilă pentru curățarea podelei în timp ce stați în picioare.

► **Fig.11:** 1. Corp aspirator 2. Tub de extensie (Țeavă dreaptă) 3. Duză

Duză cadru

Montați duza cadru pentru a curăța colțurile și spațiile înguste ale unei mașini sau ale mobilei.

► **Fig.12:** 1. Duză cadru 2. Corp aspirator

Puteți depozita duza cadru în suportul pentru duze.

► **Fig.13:** 1. Suport pentru duze 2. Duză cadru

⚠ATENȚIE: Aveți grijă să nu vă prindeți degetul (degetele) între duza cadru și suportul pentru duze. Prinderea degetului (degetelor) poate provoca vătămări.

Duză cadru + Tub de extensie (Țeavă dreaptă)

În locurile strâmte unde aspiratorul nu poate fi introdus, sau în locurile înalte la care este greu de ajuns, utilizați această configurație.

► **Fig.14:** 1. Duză cadru 2. Tub de extensie (Țeavă dreaptă) 3. Corp aspirator

Curățarea fără duză

Doar cu cutie pentru praf de 250 ml

Puteți aspira pulberea și praful fără duză.

► **Fig.15**

Pentru a aspira praful de pe podea în timp ce stați în picioare, este mai confortabil să montați tubul de extensie pe aspirator.

► **Fig.16:** 1. Tub de extensie (Țeavă dreaptă)

Eliminarea prafului

⚠ATENȚIE: Goliți aspiratorul înainte ca acesta să se umple excesiv, pentru a evita reducerea puterii de aspirare.

⚠ATENȚIE: Aveți grijă să nu vă prindeți degetul (degetele) între cutia pentru praf și corpul ciclonului la reasamblare.

Aruncați praful acumulat după cum urmează, înainte ca acesta să depășească linia marcată pentru eliminarea prafului.

1. Îndreptați capul aspiratorului în jos, țineți ferm cutia pentru praf și apoi trageți-o din corpul ciclonului în timp ce apăsați și țineți apăsată butoanele de eliberare de pe ambele părți ale cutiei pentru praf.

► **Fig.17:** 1. Linie marcată pentru eliminarea prafului
2. Cutie pentru praf 3. Butoane de eliberare
4. Filtru cu găuri

2. Goliți cutia pentru praf și curățați praful strâns pe filtrul cu găuri.

► **Fig.18**

3. Așezați cutia pentru praf înapoi pe corpul ciclonului pentru a o fixa în poziție cu un clic.

► **Fig.19:** 1. Cutie pentru praf 2. Butoane de eliberare
3. Corpul ciclonului

⚠ATENȚIE: Praful poate fi proiectat la golirea cutiei pentru praf. Aveți grijă ca praful să nu vă intre în ochi.

NOTĂ: Când cutia pentru praf se murdărește, scoateți-o și spălați-o cu apă. Înainte de reasamblare și utilizare, uscați bine cutia pentru praf.

NOTĂ: Asigurați-vă că toate accesoriile și componentele sunt fixate în mod corespunzător înainte de utilizare.

NOTĂ: Dacă forța de aspirare nu revine la normal nici după eliminarea prafului și curățarea filtrului cu găuri, verificați dacă s-a acumulat praf în interiorul corpului ciclonului sau dacă aspiratorul este înfundat.

ÎNȚEȚINERE

⚠ATENȚIE: Asigurați-vă întotdeauna că mașina este oprită și cartușul acumulatorului scos înainte de a executa lucrările de inspecție și întreținere.

⚠ATENȚIE: Asigurați-vă că atașați în mod corespunzător filtrele la aspirator. Filtrele cu găuri sau cele care nu sunt atașate în mod corespunzător pot permite prafului să intre în carcasa motorului. Acest lucru poate cauza defectarea motorului sau incendii.

NOTĂ: Nu utilizați niciodată gazolină, benzină, diluant, alcool sau alte substanțe asemănătoare. În caz contrar, pot rezulta decolorări, deformări sau fisuri.

Pentru a menține SIGURANȚA și FIABILITATEA produsului, reparațiile și orice alte lucrări de întreținere sau reglare trebuie executate de centre de service Makita autorizate sau proprii, folosind întotdeauna piese de schimb Makita.

După utilizare

⚠ATENȚIE: Sprijinirea aspiratorului de perete, fără niciun alt suport, poate cauza căderea aspiratorului, ceea ce poate conduce la vătămări corporale sau la deteriorarea aspiratorului.

► **Fig.20**

Întreținere periodică

NOTĂ: Curățați filtrele din unitatea ciclon atunci când acestea se înfundă. Continuarea utilizării acestora atunci când sunt înfundate poate duce la încălzire sau la o defecțiune a motorului.

NOTĂ: Nu suflați depunerile de praf de pe aspirator și de pe filtre cu un dispozitiv de îndepărtare a prafului prin suflare cu aer comprimat. Acest lucru permite pătrunderea prafului în carcasa și cauzează defecțiuni.

Întreținerea de rutină este necesară pentru a restabili condițiile normale de funcționare.

Corp aspirator

Ștergeți suprafața exterioară (corpul aspiratorului) a aspiratorului utilizând o lavetă umezită în apă cu săpun

și curățați deschiderile de aspirare.

► Fig.21

Unitate ciclon și filtre

NOTĂ: Scuturați praful și curățați interiorul unității ciclon și filtrele, atunci când performanța de aspirare devine mai puțin eficientă, indiferent de cantitatea de praf colectată în cutia pentru praf.

NOTĂ: După spălare, uscați filtrele complet înainte de utilizare. Filtrele uscate insuficient pot avea ca efect o putere mică de aspirare și pot scurta durata de viață a motorului.

NOTĂ: După curățarea filtrelor și a foii de burete, asigurați-vă că le-ați reinstalat înainte de utilizare. Praful pătrunde în carcasa motorului și cauzează defecțiuni dacă utilizați aspiratorul fără filtre și fără foaia de burete.

Unitate ciclon

1. Atingeți de mai multe ori unitatea ciclon cu mâna pentru a elimina praful care s-a acumulat pe suprafața interioară a unității ciclon și a filtrului.

► Fig.22: 1. Unitate ciclon

2. După ce ați îndreptat orificiul de aspirație în jos, rotiți unitatea ciclon după cum se arată în imagine, aliniind indicatorul de pe unitatea ciclon cu cel de pe corpul aspiratorului pentru a decupla încuietoearea. Apoi desprindeți unitatea ciclon de corpul aspiratorului lent și drept.

► Fig.23: 1. Unitate ciclon 2. Orificiu de aspirație
3. Indicatoare 4. Filtru

NOTĂ: Praful poate fi proiectat atunci când unitatea ciclon este dezasamblată. Se recomandă așezarea unui sac de gunoi sub unitatea ciclon.

3. Curățați praful din interiorul unității ciclon și filtrul.

► Fig.24

4. Așezați unitatea ciclon înapoi pe corpul aspiratorului, aliniind indicatorul de pe unitatea ciclon cu cel de pe corpul aspiratorului. Apoi rotiți unitatea ciclon după cum se arată în imagine, până când aceasta este fixată în poziție.

► Fig.25: 1. Unitate ciclon 2. Corp aspirator
3. Indicatoare

Filtru de performanță ridicată

Accesorii opționale

1. Dezasamblați unitatea ciclon de pe corpul aspiratorului.

2. Țineți capătul de fixare al filtrului de performanță ridicată și trageți-l din corpul aspiratorului.

► Fig.26: 1. Filtru de performanță ridicată 2. Corp aspirator

3. Ștergeți și scuturați cu mâna praful de pe filtrul de performanță ridicată.

► Fig.27

4. Spălați filtrul de performanță ridicată în apă cu săpun atunci când acesta este înfundat cu praf și murdărie. Uscați-l complet la umbră înainte de utilizare.

► Fig.28

NOTĂ: Evitați fixarea de capătul de atașare (inel de etanșare din cauciuc) al filtrului de performanță ridicată atunci când îl suspențați pentru uscare.

5. Țineți capătul de fixare al filtrului de performanță ridicată și presați-l înapoi în corpul aspiratorului.

► Fig.29: 1. Filtru de performanță ridicată 2. Corp aspirator

Filtru HEPA

Accesorii opționale

NOTĂ: Nu frecăți și nu zgâriați filtrul HEPA cu obiecte dure, precum o perie sau o racletă.

1. Dezasamblați unitatea ciclon de pe corpul aspiratorului.

2. Țineți capătul de fixare al filtrului HEPA (acoperit cu prefiltrul de performanță ridicată) și trageți-l din corpul aspiratorului.

► Fig.30: 1. Filtru HEPA (acoperit cu prefiltrul de performanță ridicată) 2. Corp aspirator

3. Dezasamblați prefiltrul de performanță ridicată de pe filtrul HEPA prin rotire manuală.

► Fig.31: 1. Prefiltru de performanță ridicată 2. Filtru HEPA

4. Ștergeți și scuturați cu mâna praful de pe prefiltrul de performanță ridicată și de pe filtrul HEPA.

► Fig.32

5. Spălați prefiltrul de performanță ridicată și filtrul HEPA în apă cu săpun. Clătiți-le și uscați-le complet la umbră înainte de utilizare.

► Fig.33

NOTĂ: Evitați fixarea de capătul de atașare (inel de etanșare din cauciuc) al filtrului HEPA atunci când îl suspențați pentru uscare.

6. Atașați prefiltrul de performanță ridicată la filtrul HEPA.

► Fig.34: 1. Prefiltru de performanță ridicată 2. Filtru HEPA

7. Țineți capătul de fixare al filtrului HEPA (acoperit cu prefiltrul de performanță ridicată) și strângeți-l înapoi în corpul aspiratorului.

► Fig.35: 1. Filtru HEPA (acoperit cu prefiltrul de performanță ridicată) 2. Corp aspirator

Foaie de burete

1. Dezasamblați unitatea ciclon de pe corpul aspiratorului.

2. Țineți capătul de fixare al filtrului și trageți-l din corpul aspiratorului.

► Fig.36: 1. Filtru 2. Corp aspirator

3. Scoateți foaia de burete din deschiderea de aspirare.

► Fig.37: 1. Foaie de burete 2. Deschidere de aspirare

4. Ștergeți și scuturați cu mâna praful de pe foaia de burete.

► Fig.38

5. Spălați foaia de burete în apă cu săpun atunci

când este înfundată cu praf și murdărie. Uscați-o complet la umbră înainte de utilizare.

► **Fig.39**

6. Puneți foaia de burete înapoi în poziția inițială. Asigurați-vă că marginile din stânga și din dreapta ale foi de burete sunt fixate cu opritori și că nu există spațiu între foaia de burete și deschiderea de aspirare.

► **Fig.40:** 1. Foaie de burete 2. Opritor 3. Deschidere de aspirare

7. Țineți capătul de fixare al filtrului și presați-l înapoi în corpul aspiratorului.

► **Fig.41:** 1. Filtru 2. Corp aspirator

Întreținere în funcție de starea produsului

NOTĂ: Curățați filtrul cu găuri din unitatea ciclon atunci când acesta se înfundă. Continuarea utilizării acestora atunci când sunt înfundate poate duce la încălzire sau la o defecțiune a motorului.

Curățarea în profunzime și a petelor trebuie efectuată în funcție de performanța mașinii dumneavoastră.

Filtru cu găuri

Când cutia de praf se murdărește sau filtrul cu găuri se înfundă, scoateți-le și spălați-le cu apă. (Pentru procedura de îndepărtare, consultați secțiunea „Eliminarea prafului“.)

1. Țineți ferm cutia pentru praf și trageți-o din corpul ciclonului în timp ce apăsați și țineți apăsat butoanele de eliberare de pe ambele părți ale cutiei pentru praf.

► **Fig.42:** 1. Cutie pentru praf 2. Corpul ciclonului 3. Butoane de eliberare

2. Rotiți filtrul cu găuri după cum se arată în imagine, pentru a decupla încuietoarea. Apoi desprindeți-l de corpul ciclonului.

► **Fig.43:** 1. Filtru cu găuri

3. Dezasamblați filtrul cu găuri în trei componente: prefiltru, filtru tubular spongios și țevă cu găuri.

i Strângeți împreună opritorile de ghidare deasupra țevii cu găuri.

ii Treceți opritorile de ghidare în jos prin orificiul de ghidare de deasupra prefiltrului.

iii Trageți prefiltrul de-a lungul filtrului tubular spongios și al țevii cu găuri.

iv Scoateți filtrul tubular spongios din țeva cu găuri.

► **Fig.44:** 1. Prefiltru 2. Filtru tubular spongios 3. Țevă cu găuri 4. Opritori de ghidare 5. Orificiu de ghidare

4. Ștergeți și scuturați cu mâna praful de pe filtre și de pe țeva cu găuri.

► **Fig.45**

5. Spălați filtrele și țeva cu găuri în apă cu săpun atunci când sunt înfundate cu praf și murdărie. Uscați-le complet la umbră înainte de utilizare.

► **Fig.46**

6. Reasamblați filtrul cu găuri.

i Introduceți filtrul tubular spongios în prefiltru.

ii Introduceți țeva cu găuri în filtrul tubular spongios și prefiltru, trecând opritorile de ghidare de deasupra țevii cu găuri prin orificiul de ghidare de deasupra prefiltrului.

iii Împingeți țeva cu găuri prin filtrul tubular spongios și prefiltru până când se blochează în poziție cu un clic.

► **Fig.47:** 1. Prefiltru 2. Filtru tubular spongios 3. Țevă cu găuri 4. Opritori de ghidare 5. Orificiu de ghidare

7. Atașați filtrul cu găuri înapoi în corpul ciclonului, aliniind cârligele de pe filtrul cu găuri cu porturile de pe orificiul de evacuare al corpului ciclonului. Rotiți filtrul cu găuri după cum se arată în imagine până când cârligele sunt blocate cu un clic. Asigurați-vă că filtrul cu găuri este bine fixat în poziție.

► **Fig.48:** 1. Filtru cu găuri 2. Corpul ciclonului 3. Cârlig 4. Port

Canale de aer în unitatea ciclon

Substanțele străine care intră în unitate pot bloca canalele de aer din unitatea ciclon și poate împiedica fluxurile de aer. Îndepărtați orice obstacol din calea aerului dacă performanța de aspirație este afectată în mod vizibil.

1. Dezasamblați unitatea ciclon în trei componente: cutia pentru praf, filtrul cu găuri și corpul ciclonului.

► **Fig.49:** 1. Cutie pentru praf 2. Filtru cu găuri 3. Corpul ciclonului 4. Corp aspirator

2. Apăsați și țineți apăsat în jos opritorul de ghidare de pe conducta de admisie prin orificiul de blocare de pe corpul ciclonului folosind unealta manuală cu vârf. Apoi detașați conducta de admisie de pe corpul ciclonului.

► **Fig.50:** 1. Conductă de admisie 2. Opritor de ghidare 3. Corpul ciclonului 4. Orificiu de blocare

3. Curățați orice substanță găsită în canalele de aer. Este posibil ca substanțele străine să rămână blocate în jurul unui port de intrare a aerului.

► **Fig.51:** 1. Orificiu de aspirație 2. Port de intrare a aerului

4. Introduceți conducta de admisie la loc până când este bine blocată.

► **Fig.52:** 1. Conductă de admisie 2. Corpul ciclonului 3. Garnitură inelară 4. Clapetă de reținere

NOTĂ: Asigurați-vă că garnitura inelară și clapeta de reținere sunt bine fixate înainte de reasamblare. Performanța de aspirație poate fi afectată dacă unitatea ciclon funcționează fără ca garnitura inelară și clapeta de reținere să fie fixate.

5. Reasamblați unitatea ciclon și atașați-o la corpul aspiratorului.

Depanare

Înainte de a solicita reparații, verificați următoarele puncte.

Simptom	Zona care trebuie investigată	Metoda de remediere
Putere slabă de aspirație	Cutia pentru praf sau interiorul unității ciclon este plin/ă de praf?	Goliți cutia pentru praf sau interiorul unității ciclon.
	Filtrele sunt înfundate?	Curățați praful sau spălați filtrul de performanță ridicată/filtrul HEPA/foaia de burete/filtrul cu găuri.
	Există vreun obiect care blochează canalele de aer?	Curățați de praf sau alte materiale orificiile și canalele de aer.
	Cartușul acumulatorului este descărcat?	Încărcați cartușul acumulatorului.
Nu funcționează	Cartușul acumulatorului este descărcat?	Încărcați cartușul acumulatorului.
Zgomot și vibrație	Filtrele sunt înfundate?	Curățați praful sau spălați filtrul de performanță ridicată/filtrul HEPA/foaia de burete/filtrul cu găuri.
	Un obiect blochează deschiderile sau orificiile?	Curățați de praf sau alte materiale duzele, țevile și orificiile de aer.
	Orificiul de aspirație al duzei sau al țevii este închis?	Descoperiți și deschideți orificiul de aspirație al duzei și al țevii.

⚠️ ATENȚIE: Nu încercați să reparați aspiratorul pe cont propriu.

ACCESORII OPȚIONALE

⚠️ ATENȚIE: Folosiți accesoriile sau piesele auxiliare recomandate pentru mașina dumneavoastră Makita în acest manual. Utilizarea oricăror alte accesorii sau piese auxiliare poate prezenta risc de vătămare corporală. Utilizați accesoriile și piesele auxiliare numai în scopul destinat.

Dacă aveți nevoie de asistență sau de mai multe detalii referitoare la aceste accesorii, adresați-vă centrului local de service Makita.

- Tub de extensie (Țeavă dreaptă)
- Duză
- Duză pentru covoare
- Perie pentru rafturi
- Duză cadru
- Perie rotundă
- Furtun flexibil
- Filtru de performanță ridicată
- Filtru HEPA
- Duză scaun
- Duză pentru curățarea spațiilor greu accesibile
- Unitatea ciclon
- Geantă de scule
- Acumulator și încărcător original Makita

NOTĂ: Unele articole din listă pot fi incluse ca accesorii standard în ambalajul de scule. Acestea pot diferi în funcție de țară.

WARNUNG

- Dieses Gerät kann von Kindern ab 8 Jahren und Personen mit verminderten körperlichen, sensorischen oder geistigen Fähigkeiten oder Mangel an Erfahrung und Kenntnissen benutzt werden, sofern sie eine Beaufsichtigung oder Anweisung bezüglich des sicheren Gebrauchs des Gerätes erhalten haben und die damit verbundenen Gefahren verstehen.
- Kinder dürfen nicht mit dem Gerät spielen. Reinigung und Benutzerwartung dürfen nicht von Kindern ohne Beaufsichtigung durchgeführt werden.
- Angaben zur Typenbezeichnung des Akkus finden Sie im Kapitel „TECHNISCHE DATEN“.
- Angaben zum Demontage- oder Installationsverfahren des Akkus finden Sie im Abschnitt „Installieren oder Demontieren des Akkus“.
- Entfernen Sie den Akku zum Entsorgen vom Werkzeug, und entsorgen Sie ihn an einem sicheren Ort. Befolgen Sie die örtlichen Vorschriften bezüglich der Entsorgung von Akkus.
- Soll das Werkzeug längere Zeit nicht benutzt werden, muss der Akku vom Werkzeug entfernt werden.
- Der Akku darf nicht kurzgeschlossen werden.
- Entsprechende Details der Vorsichtsmaßnahmen während der Benutzerwartung finden Sie im Kapitel „WARTUNG“.

TECHNISCHE DATEN

Modell:		DCL286F
Kapazität		250 mL / 400 mL (länderspezifisch)
Dauerbetrieb (mit Akku BL1830B)	1 (Leisemodus)	ca. 38 min
	2 (Normaldrehzahlmodus)	ca. 21 min
	3 (Hochdrehzahlmodus)	ca. 15 min
	4 (Maximaldrehzahlmodus)	ca. 8 min
Gesamtlänge (mit Rohr, Düse und Akku BL1830B)		1.106 mm
Nennspannung		18 V Gleichstrom
Nettogewicht		1,6 - 2,0 kg

- Wir behalten uns vor, Änderungen der technischen Daten im Zuge der Entwicklung und des technischen Fortschritts ohne vorherige Ankündigung vorzunehmen.
- Die technischen Daten können von Land zu Land unterschiedlich sein.
- Das Gewicht schließt keine Zubehörteile, aber Akku ein. Das niedrigste und höchste Kombinationsgewicht des Gerätes und der Akkus sind in der Tabelle angegeben.

Zutreffende Akkus und Ladegeräte

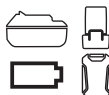
Akku	BL1815N / BL1820B / BL1830B / BL1840B / BL1850B / BL1860B
Ladegerät	DC18RC / DC18RD / DC18RE / DC18SD / DC18SE / DC18SF / DC18SH / DC18WC

- Einige der oben aufgelisteten Akkus und Ladegeräte sind je nach Ihrem Wohngebiet eventuell nicht erhältlich.

⚠️ WARNUNG: Verwenden Sie nur die oben aufgeführten Akkus und Ladegeräte. Bei Verwendung irgendwelcher anderer Akkus und Ladegeräte besteht Verletzungs- und/oder Brandgefahr.

Symbole

Nachfolgend werden Symbole beschrieben, die für das Gerät verwendet werden können. Machen Sie sich unbedingt vor der Benutzung mit ihrer Bedeutung vertraut.



Ein repräsentativer Akku, der für dieses Produkt geeignet ist.



Betriebsanleitung lesen.



Nur für EU-Länder
Aufgrund des Vorhandenseins gefährlicher Komponenten in der Ausrüstung können Elektro- und Elektronik-Altgeräte, Akkumulatoren und Batterien sich negativ auf die Umwelt und die menschliche Gesundheit auswirken.
Entsorgen Sie Elektro- und Elektronikgeräte oder Batterien nicht mit dem Hausmüll!
In Übereinstimmung mit der Europäischen Richtlinie über Elektro- und Elektronik-Altgeräte, Akkumulatoren und Batterien, verbrauchte Akkumulatoren und Batterien sowie ihrer Anpassung an nationales Recht sollten Elektro-Altgeräte, Batterien und Akkumulatoren gemäß den Umweltschutzbestimmungen getrennt gelagert und zu einer getrennten Sammelstelle für Siedlungsabfälle geliefert werden.
Dies wird durch das am Gerät angebrachte Symbol der durchgestrichenen Abfalltonne auf Rädern angezeigt.

Vorgesehene Verwendung

Das Werkzeug ist für das Absaugen von Trockenstaub vorgesehen.

SICHERHEITSWARNUNGEN

Sicherheitswarnungen für Akku-Staubsauger

⚠️ WARNUNG: WICHTIG! Alle Sicherheitswarnungen und Anweisungen **VOR GEBRAUCH AUFMERKSAM LESEN**. Eine Missachtung der Warnungen und Anweisungen kann zu einem elektrischen Schlag, Brand und/oder schweren Verletzungen führen.

1. **Das Gerät keinem Regen aussetzen. In Innenräumen aufbewahren.**
2. **Das Gerät darf nicht als Spielzeug benutzt werden. Wenn das Gerät von Kindern oder in deren Nähe benutzt wird, ist besondere Vorsicht geboten.**
3. **Nur gemäß der Beschreibung in dieser Anleitung benutzen. Nur vom Hersteller empfohlene Zusatzvorrichtungen verwenden.**
4. **Nicht mit beschädigtem Akku benutzen. Falls das Gerät nicht ordnungsgemäß funktioniert, fallen gelassen, beschädigt, im Freien liegen gelassen wurde oder ins Wasser gefallen ist, bringen Sie es zu einem Kundenzentrum.**
5. **Fassen Sie das Gerät nicht mit nassen Händen an.**
6. **Stecken Sie keine Gegenstände in die Öffnungen. Benutzen Sie das Gerät nicht mit einer blockierten Öffnung; halten Sie es frei von Staub, Fusseln, Haaren und Fremdkörpern, die den Luftstrom behindern können.**

7. **Halten Sie Haare, lose Kleidung, Finger und alle Körperteile von den Öffnungen und beweglichen Teilen fern.**
8. **Schalten Sie sämtliche Bedienelemente aus, bevor Sie den Akku abnehmen.**
9. **Lassen Sie bei der Reinigung von Treppen besondere Vorsicht walten.**
10. **Verwenden Sie das Gerät nicht zum Aufsaugen von brennbaren oder feuergefährlichen Flüssigkeiten, wie z. B. Benzin, und benutzen Sie es auch nicht in der Nähe solcher Flüssigkeiten.**
11. **Verwenden Sie nur das vom Hersteller gelieferte Ladegerät zum Aufladen.**
12. **Saugen Sie keine brennenden oder rauchenden Gegenstände auf, wie z. B. Zigaretten, Streichhölzer oder heiße Asche.**
13. **Benutzen Sie das Gerät nicht ohne angebrachten Staubsock und/oder Filter.**
14. **Laden Sie den Akku nicht im Freien.**
15. **Laden Sie den Akku nur mit dem vom Hersteller vorgeschriebenen Ladegerät. Ein Ladegerät, das für einen Akkutyp geeignet ist, kann bei Verwendung mit einem anderen Akku eine Brandgefahr darstellen.**
16. **Benutzen Sie Geräte nur mit den ausdrücklich vorgeschriebenen Akkus. Bei Verwendung irgendwelcher anderer Akkus besteht Verletzungs- und Brandgefahr.**
17. **Bewahren Sie den Akku bei Nichtgebrauch nicht zusammen mit Metallgegenständen, wie Büroklammern, Münzen, Schlüsseln, Nägeln, Schrauben, und anderen kleinen Metallteilen auf, welche die Kontakte kurzschließen können.**
18. **Bei Missbrauch kann Flüssigkeit aus dem Akku austreten. Vermeiden Sie Kontakt mit dieser Flüssigkeit. Falls Sie versehentlich mit der Flüssigkeit in Berührung kommen, spülen Sie die betroffenen Stellen mit Wasser ab.**
19. **Verwenden Sie keine Akkus oder Geräte, die beschädigt oder modifiziert sind. Beschädigte oder modifizierte Akkus können unvorhersehbares Verhalten zeigen, das zu einem Brand, einer Explosion oder Verletzungsgefahr führen kann.**
20. **Setzen Sie einen Akku oder ein Gerät nicht Feuer oder übermäßigen Temperaturen aus. Bei Einwirkung von Feuer oder Temperaturen über 130 °C kann es zu einer Explosion kommen.**
21. **Befolgen Sie alle Ladeanweisungen, und laden Sie den Akku bzw. das Gerät nicht außerhalb des in den Anweisungen angegebenen Temperaturbereichs. Wird der Ladevorgang unsachgemäß oder bei Temperaturen außerhalb des angegebenen Bereichs durchgeführt, kann es zu einer Beschädigung des Akkus und erhöhter Brandgefahr kommen.**

BEWAHREN SIE DIESE ANLEITUNG AUF.

ZUSÄTZLICHE SICHERHEITSGESETZE

Dieses Gerät ist für Haushaltsgebrauch vorgesehen.

1. Lesen Sie diese Gebrauchsanleitung und die Gebrauchsanleitung des Ladegerätes vor der Benutzung aufmerksam durch.
2. Unterlassen Sie das Aufsaugen der folgenden Materialien:
 - Heiße Stoffe, die brennen oder rauchen (Zigaretten, Streichhölzer, Räucherstäbchen, Kerzen, heiße Asche), Funken und Metallstaub, der beim Schneiden oder Schleifen von Metall usw. entsteht.
 - Entflammare Flüssigkeiten (Kerosin, Benzin, Lösungsmittel wie Waschbenzin, Verdüner usw.)
 - Entflammables Material (Toner, Lack, Spray usw.)
 - Explosive oder pyrophore Stoffe (Nitroglycerin, Aluminium, Magnesium, Titan, Zink, roter Phosphor, gelber Phosphor, Zellulose usw. sowie deren Staub, Gas oder Dampf)
 - Flüssigkeit, Öl, nasser Schmutz oder feuchte Abfälle, einschließlich Erbrochenem und Ausscheidungen
 - Harte Gegenstände mit scharfen Kanten (Holzspäne, Metalle, Steine, Gläser, Nägel, Nadeln, Rasierklappen oder Besteck)
 - Erstarrendes und leitfähiges feines Pulver (Metall- oder Kohlenstoffpulver)
 - Schäume wie Teppichreinigungsmittel usw. (sie können Explosionen oder Brände verursachen)
 - Große Mengen an Pulver (Mehl, Feuerlöschpulver usw.)
 - Stoffe, die toxische Symptome verursachen
 - Aggressive Chemikalien (Säuren, Laugen usw.)
 - Feines Bindepulver wie Zement
 - Feine Partikel wie Betonstaub
 - Trocknungsmittel
 - Asbest
 - Pestizide

Solche Handlungen können einen Brand, Verletzungen und/oder Sachschäden verursachen.

Um Ihre Exposition gegenüber diesen Chemikalien zu verringern, sollten Sie stets einen zugelassenen Atemschutz tragen, z. B. eine Staubmaske, die speziell dafür ausgelegt ist, mikroskopisch kleine Partikel herauszufiltern. Leiten Sie die Abluft von Ihrem Gesicht und Körper weg.

3. Brechen Sie den Betrieb sofort ab, wenn Sie irgendetwas Ungewöhnliches bemerken.
4. Falls Sie den Staubsauger fallen lassen oder anstoßen, überprüfen Sie ihn vor der Benutzung sorgfältig auf Risse oder

Beschädigung.

5. Bringen Sie das Gerät nicht in die Nähe von Öfen oder anderen Wärmequellen.
6. Blockieren Sie nicht die Einlassöffnung oder die Belüftungsöffnungen.

BEWAHREN SIE DIESE ANLEITUNG AUF.

Wichtige Sicherheitsanweisungen für Akku

1. Lesen Sie vor der Benutzung des Akkus alle Anweisungen und Warnhinweise, die an (1) Ladegerät, (2) Akku und (3) Akkuwerkzeug angebracht sind.
2. Unterlassen Sie Zerlegen oder Manipulieren des Akkus. Es kann sonst zu einem Brand, übermäßiger Hitzeentwicklung oder einer Explosion kommen.
3. Falls die Betriebszeit beträchtlich kürzer geworden ist, stellen Sie den Betrieb sofort ein. Anderenfalls besteht die Gefahr von Überhitzung, möglichen Verbrennungen und sogar einer Explosion.
4. Falls Elektrolyt in Ihre Augen gelangt, waschen Sie sie mit sauberem Wasser aus, und begeben Sie sich unverzüglich in ärztliche Behandlung. Anderenfalls können Sie Ihre Sehkraft verlieren.
5. Der Akku darf nicht kurzgeschlossen werden:
 - (1) Die Kontakte dürfen nicht mit leitfähigem Material berührt werden.
 - (2) Lagern Sie den Akku nicht in einem Behälter zusammen mit anderen Metallgegenständen, wie z. B. Nägel, Münzen usw.
 - (3) Setzen Sie den Akku weder Wasser noch Regen aus.

Ein Kurzschluss des Akkus verursacht starken Stromfluss, der Überhitzung, mögliche Verbrennungen und einen Defekt zur Folge haben kann.

6. Lagern und benutzen Sie das Werkzeug und den Akku nicht an Orten, an denen die Temperatur 50 °C erreichen oder überschreiten kann.
7. Versuchen Sie niemals, den Akku zu verbrennen, selbst wenn er stark beschädigt oder vollkommen verbraucht ist. Der Akku kann im Feuer explodieren.
8. Unterlassen Sie Nageln, Schneiden, Zerquetschen, Werfen, Fallenlassen des Akkus oder Schlagen des Akkus mit einem harten Gegenstand. Eine solche Handlung kann zu einem Brand, übermäßiger Hitzeentwicklung oder einer Explosion führen.
9. Benutzen Sie keine beschädigten Akkus.
10. Die enthaltenen Lithium-Ionen-Akkus unterliegen den Anforderungen der Gefahrgutgesetzgebung.

Für kommerzielle Transporte, z. B. durch Dritte oder Spediteure, müssen besondere Anforderungen zu Verpackung und Etikettierung

beachtet werden.

Zur Vorbereitung des zu transportierenden Artikels ist eine Beratung durch einen Experten für Gefahrstoff erforderlich. Bitte beachten Sie möglicherweise ausführlichere nationale Vorschriften. Überkleben oder verdecken Sie offene Kontakte, und verpacken Sie den Akku so, dass er sich in der Verpackung nicht umher bewegen kann.

11. **Entfernen Sie den Akku zum Entsorgen vom Werkzeug, und entsorgen Sie ihn an einem sicheren Ort. Befolgen Sie die örtlichen Vorschriften bezüglich der Entsorgung von Akkus.**
12. **Verwenden Sie die Akkus nur mit den von Makita angegebenen Produkten.** Das Einsetzen der Akkus in nicht konforme Produkte kann zu einem Brand, übermäßiger Hitzebildung, einer Explosion oder Auslaufen von Elektrolyt führen.
13. **Soll das Werkzeug längere Zeit nicht benutzt werden, muss der Akku vom Werkzeug entfernt werden.**
14. **Bei und nach dem Gebrauch kann der Akku heiß werden, was Verbrennungen oder Niedertemperaturverbrennungen verursachen kann. Beachten Sie die Handhabung von heißen Akkus.**
15. **Berühren Sie nicht den Anschlusskontakt des Werkzeugs unmittelbar nach dem Gebrauch, da er heiß genug werden kann, um Verbrennungen zu verursachen.**
16. **Achten Sie darauf, dass sich keine Späne, Staub oder Schmutz in den Anschlusskontakten, Löchern und Nuten des Akkus absetzen.** Es könnte sonst zu Erhitzung, Brandauslösung, Bersten und Funktionsstörungen des Werkzeugs oder des Akkus kommen, was zu Verbrennungen oder Personenschäden führen kann.
17. **Wenn das Werkzeug den Einsatz in der Nähe einer Hochspannungs-Stromleitung nicht unterstützt, benutzen Sie den Akku nicht in der Nähe einer Hochspannungs-Stromleitung.** Dies kann zu einer Funktionsstörung oder Betriebsstörung des Werkzeugs oder des Akkus führen.
18. **Halten Sie die Batterie von Kindern fern.**

DIESE ANWEISUNGEN AUFBEWAHREN.

⚠ VORSICHT: Verwenden Sie nur Original-Makita-Akkus. Die Verwendung von Nicht-Original-Makita-Akkus oder von Akkus, die abgeändert worden sind, kann zum Bersten des Akkus und daraus resultierenden Bränden, Personenschäden und Beschädigung führen. Außerdem wird dadurch die Makita-Garantie für das Makita-Werkzeug und -Ladegerät ungültig.

Hinweise zur Aufrechterhaltung der maximalen Akku-Nutzungsdauer

1. **Laden Sie den Akku, bevor er vollkommen erschöpft ist. Schalten Sie das Werkzeug stets**

aus, und laden Sie den Akku, wenn Sie ein Nachlassen der Werkzeugleistung feststellen.

2. **Unterlassen Sie erneutes Laden eines voll aufgeladenen Akkus. Überladen führt zu einer Verkürzung der Nutzungsdauer des Akkus.**
3. **Laden Sie den Akku bei Raumtemperatur zwischen 10 – 40 °C. Lassen Sie einen heißen Akku abkühlen, bevor Sie ihn laden.**
4. **Wenn Sie den Akku nicht benutzen, nehmen Sie ihn vom Werkzeug oder Ladegerät ab.**
5. **Der Akku muss geladen werden, wenn er lange Zeit (länger als sechs Monate) nicht benutzt wird.**

FUNKTIONSBE-SCHREIBUNG

⚠ VORSICHT: Vergewissern Sie sich vor der Durchführung von Einstellungen oder Funktionsprüfungen des Werkzeugs stets, dass das Werkzeug ausgeschaltet und der Akku abgenommen ist.

⚠ VORSICHT: Achten Sie beim Einsetzen des Akkus darauf, dass Sie sich nicht die Finger zwischen Staubsauger und Akku klemmen, wie in der Abbildung gezeigt. Einklemmen von Fingern kann Verletzungen verursachen.

► Abb.1

Anbringen und Abnehmen des Akkus

⚠ VORSICHT: Schalten Sie das Werkzeug stets aus, bevor Sie den Akku anbringen oder abnehmen.

⚠ VORSICHT: Halten Sie das Werkzeug und den Akku beim Anbringen oder Abnehmen des Akkus sicher fest. Wenn Sie das Werkzeug und den Akku nicht sicher festhalten, können sie Ihnen aus der Hand rutschen, was zu einer Beschädigung des Werkzeugs und des Akkus und zu Körperverletzungen führen kann.

Ziehen Sie den Akku zum Abnehmen vom Werkzeug ab, während Sie den Knopf an der Vorderseite des Akkus verschieben.

► **Abb.2:** 1. Rote Anzeige 2. Knopf 3. Akku

Richten Sie zum Anbringen des Akkus dessen Führungsfeder auf die Nut im Gehäuse aus, und schieben Sie den Akku hinein. Schieben Sie ihn vollständig ein, bis er mit einem leisen Klicken einrastet. Wenn Sie die rote Anzeige sehen können, wie in der Abbildung gezeigt, ist der Akku nicht vollständig verriegelt.

⚠ VORSICHT: Schieben Sie den Akku stets bis zum Anschlag ein, bis die rote Anzeige nicht mehr sichtbar ist. Andernfalls kann er aus dem Werkzeug herausfallen und Sie oder umstehende Personen verletzen.

⚠ VORSICHT: Unterlassen Sie Gewaltanwendung beim Anbringen des Akkus. Falls der Akku nicht reibungslos hineingeleitet, ist er nicht richtig ausgerichtet.

Werkzeug/Akku-Schutzsystem

Das Werkzeug ist mit einem Werkzeug/Akku-Schutzsystem ausgestattet. Dieses System schaltet die Stromversorgung des Motors automatisch ab, um die Lebensdauer von Werkzeug und Akku zu verlängern. Das Werkzeug bleibt während des Betriebs automatisch stehen, wenn das Werkzeug oder der Akku einer der folgenden Bedingungen unterliegt.

Überlastung:

Das Werkzeug/der Akku wird auf eine Weise benutzt, die eine ungewöhnlich hohe Stromaufnahme bewirkt. Schalten Sie in dieser Situation das Werkzeug aus, und brechen Sie die Arbeit ab, die eine Überlastung des Werkzeugs verursacht hat. Schalten Sie dann das Werkzeug wieder ein, um neu zu starten.

Überhitzt:

Das Werkzeug/der Akku ist überhitzt. Lassen Sie das Werkzeug/den Akku in dieser Situation abkühlen, bevor Sie das Werkzeug wieder einschalten.

Niedrige Akkuspannung:

Die Akku-Restkapazität ist zu niedrig, und das Werkzeug funktioniert nicht. Nehmen Sie in dieser Situation den Akku ab, und laden Sie ihn auf.

Schutz gegen andere Ursachen:

Das Schutzsystem ist auch für andere Ursachen ausgelegt, die eine Beschädigung des Werkzeugs bewirken könnten, und ermöglicht automatisches Anhalten des Werkzeugs. Führen Sie alle folgenden Schritte aus, um die Ursachen zu beseitigen, wenn das Werkzeug zu einem vorübergehenden Stillstand oder Betriebsstopp gekommen ist.

1. Schalten Sie das Werkzeug aus und wieder ein, um es neu zu starten.
2. Laden Sie den/die Akku(s) auf, oder tauschen Sie ihn/sie gegen einen aufgeladenen Akku/aufgeladene Akkus aus.
3. Lassen Sie das Werkzeug und den/die Akku(s) abkühlen.

Falls die Wiederherstellung des Schutzsystems keine Besserung bringt, wenden Sie sich an Ihr lokales Makita-Servicecenter.

Anzeigen der Akku-Restkapazität

Nur für Akkus mit Anzeige

Drücken Sie die Prüftaste am Akku, um die Akku-Restkapazität anzuzeigen. Die Anzeigelampen leuchten wenige Sekunden lang auf.

► **Abb.3:** 1. Anzeigelampen 2. Prüftaste

Anzeigelampen			Restkapazität
Erleuchtet	Aus	Blinkend	
			75% bis 100%
			50% bis 75%
			25% bis 50%
			0% bis 25%
			Den Akku aufladen.
			Möglicherweise liegt eine Funktionsstörung im Akku vor.

HINWEIS: Abhängig von den Benutzungsbedingungen und der Umgebungstemperatur kann die Anzeige geringfügig von der tatsächlichen Kapazität abweichen.

HINWEIS: Die erste (äußerste linke) Anzeigelampe blinkt, wenn das Akku-Schutzsystem aktiv ist.

Schalterfunktion

► **Abb.4:** 1. Saugkraft-Umschalttaste 2. EIN/AUS-Taste

Drücken Sie zum Einschalten des Staubsaugers einfach die EIN/AUS-Taste. Drücken Sie zum Ausschalten die EIN/AUS-Taste erneut.

Durch Drücken der Saugkraft-Umschalttaste können Sie die Saugkraft des Staubsaugers in vier Stufen umschalten. Mit jedem Drücken dieser Taste werden die Modi Leise/Normal/Hoch/Max in einem Zyklus wiederholt.

Stufe	Anzeige	Modus
1		Leisemodus
2		Normaldrehzahlmodus
3		Hochdrehzahlmodus
4		Maximaldrehzahlmodus

HINWEIS: Sie können die Saugkraft vor dem Einschalten des Staubsaugers ändern.

HINWEIS: Der Staubsauger beginnt den Betrieb mit der gleichen Saugkraft wie beim letzten Betrieb.

Einschalten der Lampe

⚠ VORSICHT: Blicken Sie nicht direkt in die Lampe oder die Lichtquelle.

Um die Lampe einzuschalten, drücken Sie die Saugkraft-Umschalttaste. Die Lampe erlischt nach ungefähr 10 Sekunden.

Während des Betriebs des Staubsaugers leuchtet die

Lampe.
Die Lampe erlischt ungefähr 10 Sekunden nach dem Stoppen des Betriebs.

HINWEIS: Wenn die Akku-Restkapazität niedrig wird, beginnt die Lampe zu blinken. Der Zeitpunkt, zu dem die Lampe zu blinken beginnt, hängt von der Temperatur am Arbeitsplatz und dem Zustand des Akkus ab.

► **Abb.5:** 1. Saugkraft-Umschalttaste 2. EIN/AUS-Taste 3. Lampe

BEZEICHNUNG DER TEILE

► **Abb.6**

1	250 mL Staubsaammelbehälter (Sonderzubehör)	2	400 mL Staubsaammelbehälter (Sonderzubehör)	3	Netzfilter	4	Zyklonkörper
5	Hochleistungsfilter (Filterrahmen in Grau) (Sonderzubehör)	6	HEPA-Filter (Filterrahmen in Weiß) (Sonderzubehör)	7	Schwammplatte	8	Staubsauger-Hauptteil
9	Handschlaufe (länderspezifisch)	-	-	-	-	-	-

MONTAGE

⚠ VORSICHT: Vergewissern Sie sich vor der Ausführung von Arbeiten am Werkzeug stets, dass das Werkzeug ausgeschaltet und der Akku abgenommen ist.

⚠ VORSICHT: Achten Sie darauf, dass Sie die Filter ordnungsgemäß am Staubsauger anbringen. Bei Filtern mit Löchern oder nicht ordnungsgemäß angebrachten Filtern kann Staub in das Motorgehäuse gelangen. Dies kann einen Motorschaden oder Brände verursachen.

ANMERKUNG: Vergewissern Sie sich vor Gebrauch, dass alle Anbauteile und Komponenten ordnungsgemäß befestigt sind.

Montieren und Demontieren von Saugergeräteaufsätzen

⚠ VORSICHT: Prüfen Sie nach der Anbringung von Aufsätzen, ob sie sicher angebracht sind. Falls die Aufsätze unvollständig angebracht sind, können sie sich lösen und Personenschäden verursachen.

⚠ VORSICHT: Achten Sie beim Abnehmen des Aufsatzes darauf, dass Sie mit Ihrer Hand nicht gegen eine Wand usw. schlagen.

Bei Verwendung des Aufsatzes mit Verriegelungsfunktion

Um den Aufsatz anzubringen, führen Sie ihn in den Saugeinlass des Staubsaugers ein, bis er einrastet. Vergewissern Sie sich, dass der Aufsatz verriegelt ist.

► **Abb.7:** 1. Saugeinlass 2. Aufsatz mit Verriegelungsfunktion 3. Raste

4. Entriegelungsknopf

ANMERKUNG: Achten Sie beim Anbringen des Aufsatzes mit Verriegelungsfunktion darauf, dass der Entriegelungsknopf am Staubsauger auf die Raste am Aufsatz ausgerichtet ist. Falls sie nicht ausgerichtet sind, wird der Aufsatz nicht verriegelt und kann sich vom Staubsauger lösen.

Um den Aufsatz zu entfernen, ziehen Sie ihn vom Staubsauger ab, während Sie die Arme des Entriegelungsknopfes gedrückt halten.

► **Abb.8:** 1. Entriegelungsknopf 2. Arm des Entriegelungsknopfes 3. Aufsatz mit Verriegelungsfunktion 4. Saugeinlass

Bei Verwendung des Aufsatzes ohne Verriegelungsfunktion

ANMERKUNG: Um den Aufsatz ohne Verriegelungsfunktion zu installieren, setzen Sie ihn in den Saugeinlass des Staubsaugers ein, indem Sie ihn wie in der Abbildung gezeigt drehen. Um den Aufsatz abzunehmen, lösen Sie ihn vom Staubsauger, indem Sie ihn wie in der Abbildung gezeigt drehen. Vermeiden Sie es, den Aufsatz in die dem Pfeil in der Abbildung entgegengesetzte Richtung zu drehen, da sich dadurch die Zykcloneinheit lösen kann.

► **Abb.9**

BETRIEB

⚠ VORSICHT: Bringen Sie Ihr Gesicht beim Betrieb des Staubsaugers nicht in die Nähe der Ventilationsöffnung. Falls Fremdkörper in die Augen von Personen oder Tieren geblasen werden, kann dies zu Verletzungen führen.

ANMERKUNG: Vermeiden Sie es, den Staubsauger in einer horizontalen oder nach oben gerichteten Position zu benutzen. Anderenfalls kann der Netzfilter verstopft werden.

ANMERKUNG: Benutzen Sie den Staubsauger immer mit installierten Filtern. Wenn Sie den Staubsauger ohne Filter benutzen, kann es zu einer Fehlfunktion des Motors kommen.

ANMERKUNG: Leeren Sie den Staubsammelbehälter in der Zykloneinheit, wenn sich Staub angesammelt hat. Fortgesetzter Gebrauch führt zu einer Abschwächung der Saugkraft.

Die Zykloneinheit trägt dazu bei, die in den Staubsauger eindringende Staubmenge zu reduzieren und die Saugleistung zu verbessern, wobei der Staub einfach und leicht entsorgt werden kann.

Reinigen (Saugen)

Düse

Nur mit 250-mL-Staubsammelbehälter

Bringen Sie die Düse an, um Tische, Pulte, Möbelstücke usw. abzusaugen. Die Düse lässt sich leicht aufstecken.

► **Abb.10:** 1. Düse

Düse + Verlängerungsrohr (gerades Rohr)

Das Verlängerungsrohr wird zwischen Düse und Staubsauger angebracht. Diese Anordnung ist praktisch, um den Fußboden im Stehen zu saugen.

► **Abb.11:** 1. Staubsauger-Hauptteil
2. Verlängerungsrohr (gerades Rohr)
3. Düse

Spitzdüse

Bringen Sie die Spitzdüse an, um Ecken und Ritzen eines Autos oder Möbelstücks zu reinigen.

► **Abb.12:** 1. Spitzdüse 2. Staubsauger-Hauptteil

Sie können die Spitzdüse im Düsenhalter aufbewahren.

► **Abb.13:** 1. Düsenhalter 2. Spitzdüse

VORSICHT: Achten Sie darauf, dass keine Finger zwischen der Spitzdüse und dem Düsenhalter eingeklemmt werden. Einklemmen von Fingern kann Verletzungen verursachen.

Spitzdüse + Verlängerungsrohr (gerades Rohr)

Benutzen Sie diese Anordnung in engen Zwischenräumen, in die der Staubsauger selbst nicht hineinpasst, oder an schwer erreichbaren hohen Orten.

► **Abb.14:** 1. Spitzdüse 2. Verlängerungsrohr (gerades Rohr) 3. Staubsauger-Hauptteil

Staubsaugen ohne Düse

Nur mit 250-mL-Staubsammelbehälter

Sie können Pulver und Staub ohne Düse aufsaugen.

► **Abb.15**

Um Staub im Stehen von einem Fußboden aufzusaugen, ist es praktisch, das Verlängerungsrohr am Staubsauger anzubringen.

► **Abb.16:** 1. Verlängerungsrohr (gerades Rohr)

Staubentleerung

VORSICHT: Leeren Sie den Staubsauger, bevor er voll wird oder die Saugleistung nachlässt.

VORSICHT: Achten Sie beim Zusammenbau darauf, dass Sie keine Finger zwischen dem Staubsammelbehälter und dem Zyklonkörper einklemmen.

Entsorgen Sie den angesammelten Staub wie folgt, bevor er die Staubentsorgungslinie überschreitet.

1. Richten Sie den Staubsaugerkopf nach unten, halten Sie den Staubsammelbehälter fest, und ziehen Sie ihn dann vom Zyklonkörper ab, während Sie die Entriegelungsknöpfe auf beiden Seiten des Staubsammelbehälters gedrückt halten.

► **Abb.17:** 1. Staubentsorgungslinie
2. Staubsammelbehälter
3. Entriegelungsknöpfe 4. Netzfilter

2. Entleeren Sie den Staubsammelbehälter, und reinigen Sie den Netzfilter vom anhaftenden Staub.

► **Abb.18**

3. Setzen Sie den Staubsammelbehälter wieder auf den Zyklonkörper, um ihn mit Klicks zu sichern.

► **Abb.19:** 1. Staubsammelbehälter
2. Entriegelungsknöpfe 3. Zyklonkörper

VORSICHT: Bei der Entnahme aus dem Staubsammelbehälter kann der Staub aufgewirbelt werden. Achten Sie darauf, dass kein Staub in Ihre Augen gelangt.

ANMERKUNG: Wenn der Staubsammelbehälter verschmutzt ist, nehmen Sie ihn heraus und waschen Sie ihn mit Wasser aus. Trocknen Sie den Staubsammelbehälter gründlich, bevor Sie ihn wieder zusammenbauen und benutzen.

ANMERKUNG: Vergewissern Sie sich vor Gebrauch, dass alle Anbauteile und Komponenten ordnungsgemäß befestigt sind.

ANMERKUNG: Falls die Saugkraft selbst nach der Entsorgung des Staubs und der Reinigung des Netzfilters nicht wiederhergestellt wird, prüfen Sie, ob Staub sich im Zyklonkörper angesammelt hat, oder ob eine Verstopfung aufgetreten ist.

WARTUNG

⚠ VORSICHT: Vergewissern Sie sich vor der Durchführung von Inspektions- oder Wartungsarbeiten stets, dass das Werkzeug ausgeschaltet und der Akku abgenommen ist.

⚠ VORSICHT: Achten Sie darauf, dass Sie die Filter ordnungsgemäß am Staubsauger anbringen. Bei Filtern mit Löchern oder nicht ordnungsgemäß angebrachten Filtern kann Staub in das Motorgehäuse gelangen. Dies kann einen Motorausfall oder Brände verursachen.

ANMERKUNG: Verwenden Sie auf keinen Fall Benzin, Waschbenzin, Verdünnern, Alkohol oder dergleichen. Solche Mittel können Verfärbung, Verformung oder Rissbildung verursachen.

Um die SICHERHEIT und ZUVERLÄSSIGKEIT dieses Produkts zu gewährleisten, sollten Reparaturen und andere Wartungs- oder Einstellarbeiten nur von Makita-Vertragswerkstätten oder Makita-Kundendienstzentren unter ausschließlicher Verwendung von Makita-Originalersatzteilen ausgeführt werden.

Nach dem Gebrauch

⚠ VORSICHT: Wird der Staubsauger ohne irgendeine Stütze gegen eine Wand gelehnt, kann er umkippen, was zu Personenschäden oder einer Beschädigung des Staubsaugers führen kann.

► Abb.20

Regelmäßige Wartung

ANMERKUNG: Reinigen Sie die Filter in der Zykcloneinheit, wenn sie verstopft sind. Fortgesetzter Gebrauch im verstopften Zustand kann zu Erhitzung oder einer Fehlfunktion des Motors führen.

ANMERKUNG: Blasen Sie am Staubsauger und an den Filtern haftenden Staub nicht mit einem Druckluftspray ab. Dadurch wird der Staub in das Gehäuse geblasen und ein Ausfall verursacht.

Zur Wiederherstellung der normalen Betriebsbedingungen ist eine routinemäßige Wartung erforderlich.

Staubsauger-Hauptteil

Wischen Sie die Außenseite (Staubsauger-Hauptteil) des Staubsaugers mit einem mit Seifenwasser angefeuchteten Tuch ab, und reinigen Sie die Ansaugöffnungen.

► Abb.21

Zykloneinheit und Filter

ANMERKUNG: Entstauben und reinigen Sie das Innere der Zykcloneinheit und der Filter, wenn die Saugleistung unabhängig von der Menge des im Staubsammelbehälter gesammelten Staubs nachlässt.

ANMERKUNG: Nachdem Sie die Filter gewaschen haben, lassen Sie sie vor Gebrauch gründlich trocknen. Unzureichend getrocknete Filter können schlechte Saugleistung verursachen und die Lebensdauer des Motors verkürzen.

ANMERKUNG: Nachdem Sie die Filter und die Schwammpolster gereinigt haben, setzen Sie sie vor Gebrauch unbedingt wieder ein. Wird der Staubsauger ohne Filter und Schwammpolster benutzt, kann Staub in das Motorgehäuse eindringen und eine Funktionsstörung verursachen.

Zykcloneinheit

1. Klopfen Sie mehrmals mit der Hand auf die Zykcloneinheit, um Staub zu entfernen, der an der Innenfläche der Zykcloneinheit und am Filter haftet.

► Abb.22: 1. Zykcloneinheit

2. Drehen Sie die Zykcloneinheit mit dem Saugeinlass nach unten, wie in der Abbildung gezeigt, und richten Sie dabei den Zeiger an der Zykcloneinheit auf den Zeiger am Staubsauger-Hauptteil aus, um die Verriegelung zu lösen. Lösen Sie dann die Zykcloneinheit langsam und gerade vom Staubsauger-Hauptteil.

► Abb.23: 1. Zykcloneinheit 2. Saugeinlass 3. Zeiger 4. Filter

HINWEIS: Bei der Demontage der Zykcloneinheit kann Staub herausfliegen. Es wird empfohlen, einen Müllsack unter die Zykcloneinheit zu legen.

3. Entstauben Sie das Innere der Zykcloneinheit und den Filter.

► Abb.24

4. Setzen Sie die Zykcloneinheit wieder auf den Staubsauger-Hauptteil auf, und richten Sie dabei den Zeiger der Zykcloneinheit auf den des Staubsauger-Hauptteils aus. Drehen Sie dann die Zykcloneinheit wie in der Abbildung gezeigt, bis sie gesichert ist.

► Abb.25: 1. Zykcloneinheit 2. Staubsauger-Hauptteil 3. Zeiger

Hochleistungsfilter

Sonderzubehör

1. Demontieren Sie die Zykcloneinheit vom Staubsauger-Hauptteil.

2. Halten Sie das Befestigungsende des Hochleistungsfilters fest, und ziehen Sie es vom Staubsauger-Hauptteil ab.

► Abb.26: 1. Hochleistungsfilter 2. Staubsauger-Hauptteil

3. Wischen Sie den Hochleistungsfilter mit der Hand ab und schütteln Sie den Staub ab.

► Abb.27

4. Waschen Sie den Hochleistungsfilter in

Seifenwasser, wenn er mit Staub und Schmutz verstopft ist. Lassen Sie ihn vor Gebrauch gründlich im Schatten trocknen.

► **Abb.28**

HINWEIS: Vermeiden Sie es, das Befestigungsende (Gummidichtungsring) des Hochleistungsfilters zu befestigen, wenn Sie ihn zum Trocknen aufhängen.

5. Halten Sie das Befestigungsende des Hochleistungsfilters fest, und drücken Sie es zurück in das Staubsauger-Hauptteil.

► **Abb.29:** 1. Hochleistungsfilter
2. Staubsauger-Hauptteil

HEPA-Filter

Sonderzubehör

ANMERKUNG: Unterlassen Sie Abreiben oder Abkratzen des HEPA-Filters mit harten Gegenständen, wie z. B. einer Bürste und einer Kratze.

1. Demontieren Sie die Zykloneinheit vom Staubsauger-Hauptteil.

2. Halten Sie das Befestigungsende des HEPA-Filters (mit Hochleistungs-Vorfilter abgedeckt), und ziehen Sie es vom Staubsauger-Hauptteil ab.

► **Abb.30:** 1. HEPA-Filter (mit Hochleistungs-Vorfilter abgedeckt) 2. Staubsauger-Hauptteil

3. Demontieren Sie den Hochleistungs-Vorfilter durch Drehen von Hand vom HEPA-Filter.

► **Abb.31:** 1. Hochleistungs-Vorfilter 2. HEPA-Filter

4. Wischen Sie den Hochleistungs-Vorfilter und den HEPA-Filter mit der Hand ab und schütteln Sie den Staub ab.

► **Abb.32**

5. Waschen Sie den Hochleistungs-Vorfilter und den HEPA-Filter in Seifenwasser. Spülen Sie die Teile ab, lassen Sie sie vor Gebrauch im Schatten gründlich trocknen.

► **Abb.33**

HINWEIS: Vermeiden Sie es, das Befestigungsende (Gummidichtungsring) des HEPA-Filters zu befestigen, wenn Sie ihn zum Trocknen aufhängen.

6. Bringen Sie den Hochleistungs-Vorfilter am HEPA-Filter an.

► **Abb.34:** 1. Hochleistungs-Vorfilter 2. HEPA-Filter

7. Halten Sie das Befestigungsende des HEPA-Filters (mit Hochleistungs-Vorfilter abgedeckt), und drücken Sie es wieder in den Staubsauger-Hauptteil hinein.

► **Abb.35:** 1. HEPA-Filter (mit Hochleistungs-Vorfilter abgedeckt) 2. Staubsauger-Hauptteil

Schwammplatte

1. Demontieren Sie die Zykloneinheit vom Staubsauger-Hauptteil.

2. Halten Sie das Befestigungsende des Filters fest, und ziehen Sie es vom Staubsauger-Hauptteil ab.

► **Abb.36:** 1. Filter 2. Staubsauger-Hauptteil

3. Ziehen Sie die Schwammplatte von der

Ansaugöffnung ab.

► **Abb.37:** 1. Schwammplatte 2. Ansaugöffnung

4. Wischen Sie die Schwammplatte mit der Hand ab und schütteln Sie den Staub ab.

► **Abb.38**

5. Waschen Sie die Schwammplatte in Seifenwasser, wenn sie mit Staub und Schmutz verstopft ist. Lassen Sie sie vor Gebrauch gründlich im Schatten trocknen.

► **Abb.39**

6. Bringen Sie die Schwammplatte wieder in ihre ursprüngliche Position. Vergewissern Sie sich, dass die linke und rechte Kante der Schwammplatte mit Stoppern gesichert ist und dass kein Spalt zwischen Schwammplatte und Ansaugöffnung besteht.

► **Abb.40:** 1. Schwammplatte 2. Stopper
3. Ansaugöffnung

7. Halten Sie das Befestigungsende des Filters fest, und drücken Sie es wieder in den Staubsauger-Hauptteil hinein.

► **Abb.41:** 1. Filter 2. Staubsauger-Hauptteil

Zustandsorientierte Instandhaltung

ANMERKUNG: Reinigen Sie den Netzfilter in der Zykloneinheit, wenn er verstopft ist. Fortgesetzter Gebrauch im verstopften Zustand kann zu Erhitzung oder einer Fehlfunktion des Motors führen.

Die Tiefen- und Punktreinigung muss entsprechend der Leistung Ihres Werkzeugs durchgeführt werden.

Netzfilter

Wenn der Staubsammelbehälter schmutzig wird oder der Netzfilter verstopft ist, entfernen Sie die Teile, und waschen Sie sie mit Wasser. (Angaben zum Demontageverfahren finden Sie unter „Staubleerung“.)

1. Halten Sie den Staubsammelbehälter fest, und ziehen Sie ihn dann vom Zyklonkörper ab, während Sie die Entriegelungsknöpfe auf beiden Seiten des Staubsammelbehälters gedrückt halten.

► **Abb.42:** 1. Staubsammelbehälter 2. Zyklonkörper
3. Entriegelungsknöpfe

2. Drehen Sie den Netzfilter wie in der Abbildung gezeigt, um die Verriegelung zu lösen. Lösen Sie ihn dann vom Zyklonkörper.

► **Abb.43:** 1. Netzfilter

3. Zerlegen Sie den Netzfilter in drei Teile: Vorfilter, rohrförmiger Schwammfilter und Netzrohr.

i Drücken Sie die Führungsstopper auf der Oberseite des Netzrohrs zusammen.

ii Führen Sie die Führungsstopper nach unten durch das Führungsloch oben auf dem Vorfilter.

iii Ziehen Sie den Vorfilter entlang des rohrförmigen Schwammfilters und des Netzrohrs.

iv Nehmen Sie den rohrförmigen Schwammfilter aus dem Netzrohr heraus.

► **Abb.44:** 1. Vorfilter 2. Rohrförmiger Schwammfilter
3. Netzrohr 4. Führungsstopper
5. Führungsloch

4. Wischen Sie die Filter und das Netzrohr mit der Hand ab und schütteln Sie den Staub ab.

► **Abb.45**

5. Waschen Sie die Filter und das Netzrohr in Seifenwasser, wenn sie mit Staub und Schmutz verstopft sind. Lassen Sie sie vor Gebrauch gründlich im Schatten trocknen.

► **Abb.46**

6. Setzen Sie den Netzfilter wieder ein.

i Führen Sie den rohrförmigen Schwammfilter in den Vorfilter ein.

ii Führen Sie das Netzrohr in den rohrförmigen Schwammfilter und den Vorfilter ein, indem Sie die Führungsstopper oben auf dem Netzrohr durch das Führungsloch oben auf dem Vorfilter führen.

iii Schieben Sie das Netzrohr durch den rohrförmigen Schwammfilter und den Vorfilter, bis es mit einem Klick einrastet.

► **Abb.47:** 1. Vorfilter 2. Rohrförmiger Schwammfilter
3. Netzrohr 4. Führungsstopper
5. Führungsloch

7. Setzen Sie den Netzfilter wieder in den Zyklonkörper ein, und richten Sie dabei die Rasten am Netzfilter auf die Öffnungen am Ansaugstutzen des Zyklonkörpers aus. Drehen Sie den Netzfilter wie in der Abbildung gezeigt, bis die Rasten mit einem Klick einrasten. Vergewissern Sie sich, dass der Netzfilter sicher installiert ist.

► **Abb.48:** 1. Netzfilter 2. Zyklonkörper 3. Raste
4. Öffnung

blockieren. Entfernen Sie alle Hindernisse im Luftweg, wenn die Saugleistung merklich beeinträchtigt wird.

1. Zerlegen Sie die Zykloeinheit in drei Teile: Staubsammelbehälter, Netzfilter und Zyklonkörper.

► **Abb.49:** 1. Staubsammelbehälter 2. Netzfilter
3. Zyklonkörper 4. Staubsauger-Hauptteil

2. Drücken und halten Sie den Führungsstopper am Einlassrohr nach unten durch das Verriegelungsloch am Zyklonkörper, indem Sie das Handwerkzeug mit einer Spitze benutzen. Lösen Sie dann das Einlassrohr vom Zyklonkörper.

► **Abb.50:** 1. Einlassrohr 2. Führungsstopper
3. Zyklonkörper 4. Verriegelungsloch

3. Reinigen Sie die Luftkanäle von allen darin befindlichen Substanzen.

Es ist wahrscheinlich, dass sich ein Fremdkörper in der Nähe eines Lufteinlasses festsetzt.

► **Abb.51:** 1. Saugeinlass 2. Lufteinlass

4. Setzen Sie das Einlassrohr wieder ein, bis es sicher verriegelt ist.

► **Abb.52:** 1. Einlassrohr 2. Zyklonkörper 3. O-Ring
4. Klappenventil

ANMERKUNG: Vergewissern Sie sich vor dem Zusammenbau, dass der O-Ring und das Klappenventil fest an ihrem Platz sind.

Die Saugleistung kann beeinträchtigt werden, wenn die Zykloeinheit ohne den O-Ring und das Klappenventil in Betrieb genommen wird.

5. Bauen Sie die Zykloeinheit wieder zusammen, und befestigen Sie sie am Staubsauger-Hauptteil.

Luftkanäle in der Zykloeinheit

Eindringende Fremdkörper können die Luftkanäle in der Zykloeinheit verstopfen und beladene Luftströme

Fehlersuche

Bevor Sie eine Reparatur anfordern, überprüfen Sie bitte die folgenden Punkte.

Symptom	Prüfbereich	Abhilfemaßnahmen
Schwache Saugkraft	Ist der Staubsammelbehälter oder das Innere der Zykloeinheit voller Staub?	Leeren Sie den Staubsammelbehälter oder das Innere der Zykloeinheit.
	Sind die Filter verstopft?	Entstauben oder waschen Sie Hochleistungsfilter/HEPA-Filter/Schwammplatte/Netzfilter.
	Werden die Lufteinlasskanäle durch irgend etwas blockiert?	Reinigen Sie die Luftöffnungen und -kanäle von Staub und Fremdkörpern.
	Ist der Akku entladen?	Laden Sie den Akku auf.
Gerät funktioniert nicht	Ist der Akku entladen?	Laden Sie den Akku auf.
Geräusche und Vibrationen	Sind die Filter verstopft?	Entstauben oder waschen Sie Hochleistungsfilter/HEPA-Filter/Schwammplatte/Netzfilter.
	Werden Öffnungen oder Löcher durch irgend etwas blockiert?	Düsen, Rohre und Luftöffnungen von jeglichem Staub und Fremdkörpern reinigen.
	Ist der Saugeinlass der Düse oder des Rohrs geschlossen?	Den Saugeinlass der Düse und des Rohrs aufdecken und öffnen.

⚠ VORSICHT: Versuchen Sie nicht, den Staubsauger selbst zu reparieren.

SONDERZUBEHÖR

⚠ VORSICHT: Die folgenden Zubehörteile oder Vorrichtungen werden für den Einsatz mit dem in dieser Anleitung beschriebenen Makita-Werkzeug empfohlen. Die Verwendung anderer Zubehörteile oder Vorrichtungen kann eine Verletzungsgefahr darstellen. Verwenden Sie Zubehörteile oder Vorrichtungen nur für ihren vorgesehenen Zweck.

Wenn Sie weitere Einzelheiten bezüglich dieser Zubehörteile benötigen, wenden Sie sich bitte an Ihre Makita-Kundendienststelle.

- Verlängerungsrohr (gerades Rohr)
- Düse
- Düse für Teppich
- Regalbürste
- Spitzdüse
- Rundbürste
- Flexibler Schlauch
- Hochleistungsfilter
- HEPA-Filter
- Sitzdüse
- Spaltendüse
- Zykloneinheit
- Werkzeugtasche
- Original-Makita-Akku und -Ladegerät

HINWEIS: Manche Teile in der Liste können als Standardzubehör im Werkzeugsatz enthalten sein. Sie können von Land zu Land unterschiedlich sein.

Makita Europe N.V.

Jan-Baptist Vinkstraat 2, 3070 Kortenberg, Belgium

Makita Corporation

3-11-8, Sumiyoshi-cho, Anjo, Aichi 446-8502 Japan

www.makita.com



885A27A978 EN, PL, HU, SK, CS, UK, RO, DE 20241029
